

GU-10 Track Cylinder

Model No. TLGU-17-ORB

Project Details

Job Name	<input type="text"/>
Location	<input type="text"/>
Type/Qty	<input type="text"/>
Contact Info	<input type="text"/>
Note	<input type="text"/>

Features

- Directional light source providing 90° vertical aiming capability with 315° horizontal rotation
- Lamp: GU-10 120V/50W (max.)
- Dimmer compatible
- Ceramic 120V AC GU-10 base socket
- Lead wires concealed within stem
- Re-lamps from the front with Suction cup lamp removal aid included
- OAH: 7" (max.)
- Head length: 3", Dia.: 3.25"
- LED compatible
- Available Finishes: Black (BLK), Oil Rubbed Bronze (ORB), Satin Nickel (SN), White (WH)

SPECIFICATION

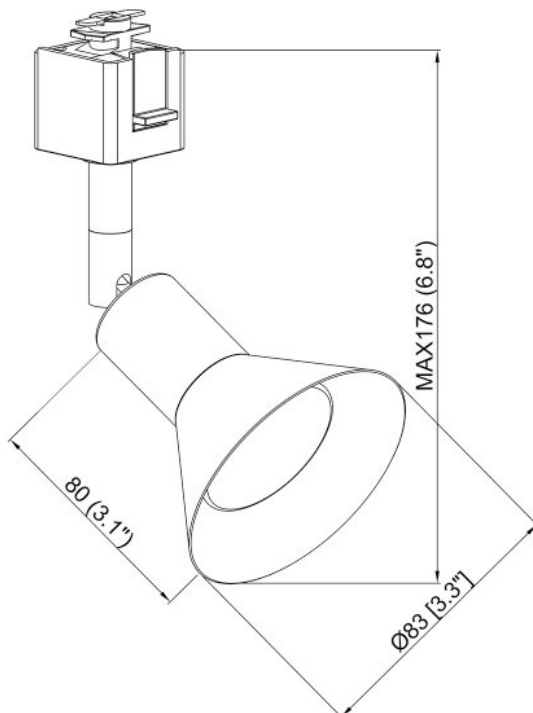
OAH (in.)	7
Overall Width (in.)	3.25
OA Depth (in.)	3
Bulb	GU-10
Max. wattage (W)	50
Number of Bulbs	1
Bulb included	No
Dimmable	Yes
Voltage	120V AC 60Hz
Certifications and Listings	ETL Listed
Warranty	1 Year

LED Info



Description

Line voltage track head cylinder in an Oil Rubbed Bronze finish for use with GU-10 base lamps



KENDAL Lighting (BC) Inc.

#110, 6780 Dennett Place Delta, B.C. V4G 1N4 Ph: (604) 952-5510 · Toll Free: 1-888-306-3267

info@kendallighting.com www.kendallighting.com