

GU-10 Track Cylinder

Model No. TLGU-16-SN

Project Details

Job Name	<input type="text"/>
Location	<input type="text"/>
Type/Qty	<input type="text"/>
Contact Info	<input type="text"/>
Note	<input type="text"/>

Features

- Directional light source providing 90° vertical aiming capability with 330° horizontal rotation
- Durable metal socket cylinder and snap-in face ring design with attached bulb retainer clip
- Lamp: GU-10 120V/50W (max.)
- Dimmer compatible
- Ceramic 120V AC GU-10 base socket
- OAH: 7" (max.)
- Head length: 4.5", Dia.: 2.25"
- LED compatible
- Available Finishes: Satin Nickel (SN)

SPECIFICATION

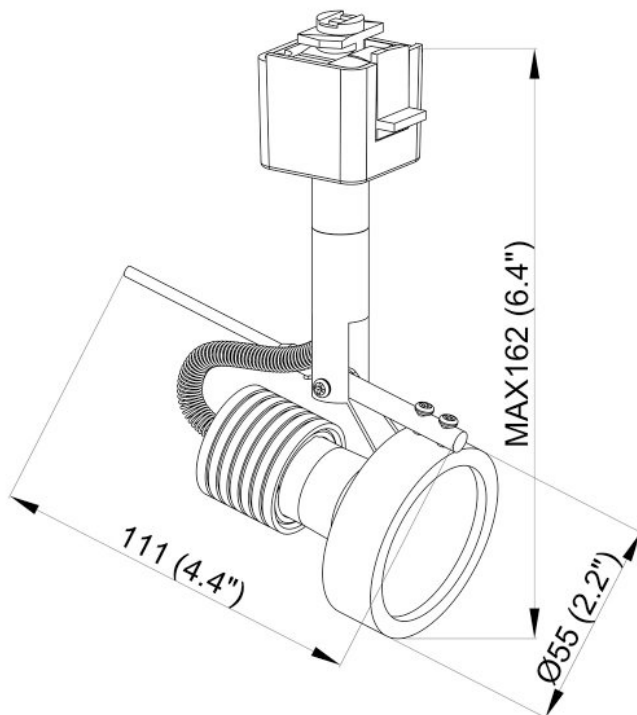
OAH (in.)	7
Overall Width (in.)	2.25
OA Depth (in.)	4.5
Bulb	GU-10
Max. wattage (W)	50
Number of Bulbs	1
Bulb included	No
Dimmable	Yes
Voltage	120V AC 60Hz
Certifications and Listings	ETL Listed
Warranty	1 Year

LED Info



Description

Line voltage track head cylinder in a Satin Nickel finish for use with GU-10 base lamps



KENDAL Lighting (BC) Inc.

#110, 6780 Dennett Place Delta, B.C. V4G 1N4 Ph: (604) 952-5510 · Toll Free: 1-888-306-3267

info@kendallighting.com www.kendallighting.com