

GU-10 Track Cylinder

Model No. TLGU-15-WH

Project Details

| | |
|--------------|----------------------|
| Job Name | <input type="text"/> |
| Location | <input type="text"/> |
| Type/Qty | <input type="text"/> |
| Contact Info | <input type="text"/> |
| Note | <input type="text"/> |

Features

- Directional light source providing 180° vertical aiming capability with 315° horizontal rotation
- Lamp: GU-10 120V/50W (max.)
- Dimmer compatible
- Ceramic 120V AC GU-10 base socket
- Locking knobs provided
- OAH: 6.5" (max.)
- Head length: 3", Width: 2.5"
- LED compatible
- Available Finishes: Black (BLK), Brushed Steel (BST), Oil Rubbed Bronze (ORB), White (WH)

SPECIFICATION

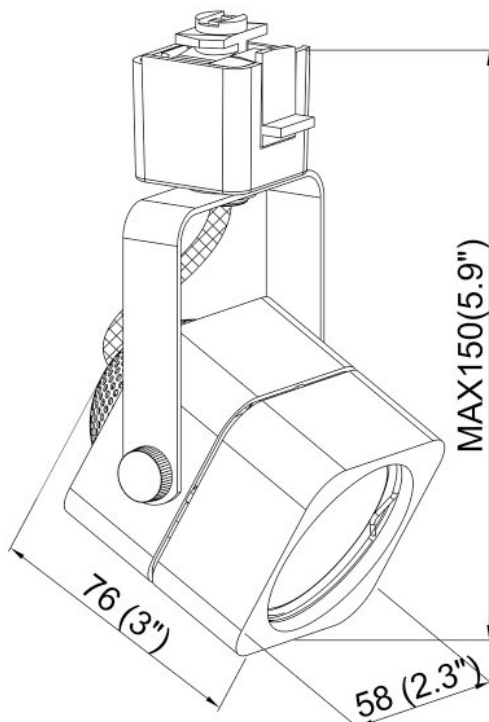
| | |
|-----------------------------|--------------|
| OAH (in.) | 6.5 |
| Overall Width (in.) | 2.5 |
| OA Depth (in.) | 3 |
| Bulb | GU-10 |
| Max. wattage (W) | 50 |
| Number of Bulbs | 1 |
| Bulb included | No |
| Dimmable | Yes |
| Voltage | 120V AC 60Hz |
| Certifications and Listings | ETL Listed |
| Warranty | 1 Year |

LED Info



Description

Line voltage track head cylinder in a White finish for use with GU-10 base lamps



KENDAL Lighting (BC) Inc.

#110, 6780 Dennett Place Delta, B.C. V4G 1N4 Ph: (604) 952-5510 · Toll Free: 1-888-306-3267

info@kendallighting.com www.kendallighting.com