

Integrated LED Track Cylinder

Model No. TLED-04-WH

| Project Details | |
|-----------------|----------------------|
| Job Name | <input type="text"/> |
| Location | <input type="text"/> |
| Type/Qty | <input type="text"/> |
| Contact Info | <input type="text"/> |
| Note | <input type="text"/> |

Features

- Directional light source providing 90° vertical aiming capability with 320° horizontal rotation
- Head length: 6.1", Dia.: 3.5"
- OAH: 8.2" (max.)
- Cree XLamp COB LED
- NOT Dimmable
- 38° beam spread *
- *(24° and 60° lenses available. Model #'s: BSL467-24 and BSL467-60)
- Available Finishes: Black (BLK), Brushed Steel (BST), White (WH)
- 5 YEAR Warranty

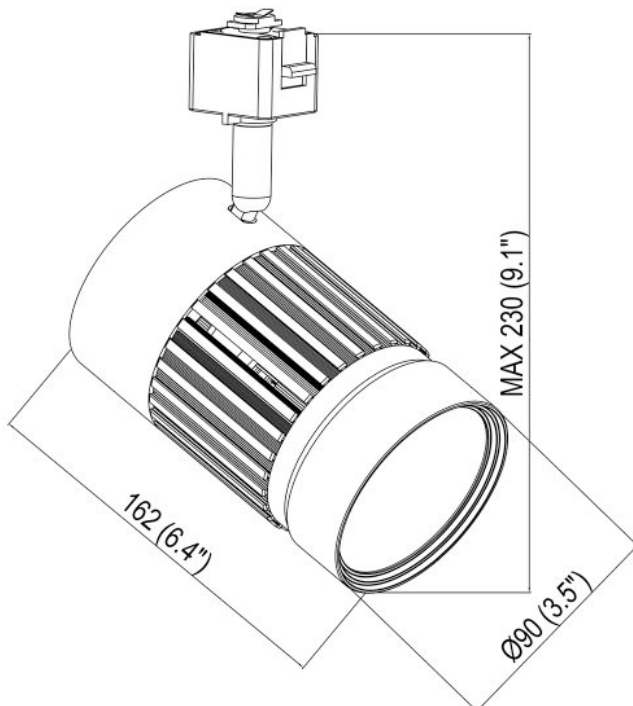
| SPECIFICATION | |
|-----------------------------|----------------|
| OAH (in.) | 8.2 |
| Overall Width (in.) | 3.5 |
| OA Depth (in.) | 6.1 |
| Bulb | Integrated LED |
| Dimmable | NO |
| Voltage | 120V AC 60Hz |
| Certifications and Listings | ETL Listed |
| Warranty | 5 Years |

| LED Info | |
|-------------|-------|
| Watts (W) | 45 |
| Lumens (lm) | 4800 |
| lm/W | 110 |
| CCT | 3000K |
| CRI | 83+ |



Description

45 watt Integrated LED Track cylinder



KENDAL Lighting (BC) Inc.

#110, 6780 Dennett Place Delta, B.C. V4G 1N4 Ph: (604) 952-5510 · Toll Free: 1-888-306-3267

info@kendallighting.com www.kendallighting.com