

Integrated LED Track Cylinder

Model No. TLED-02-BLK

Project Details	
Job Name	<input type="text"/>
Location	<input type="text"/>
Type/Qty	<input type="text"/>
Contact Info	<input type="text"/>
Note	<input type="text"/>

Features

- Directional light source providing 90° vertical aiming capability with 320° horizontal rotation
- Head length: 3.7", Dia.: 2.2"
- OAH: 6" (max.)
- Cree XLamp COB LED
- Dimmer compatible (with TRIAC controls)
- 38° beam spread *
- *(24° and 60° lenses available. Model #'s: BSL23-24 and BSL23-60)
- Available Finishes: Black (BLK), Brushed Steel (BST), White (WH)
- 5 YEAR Warranty

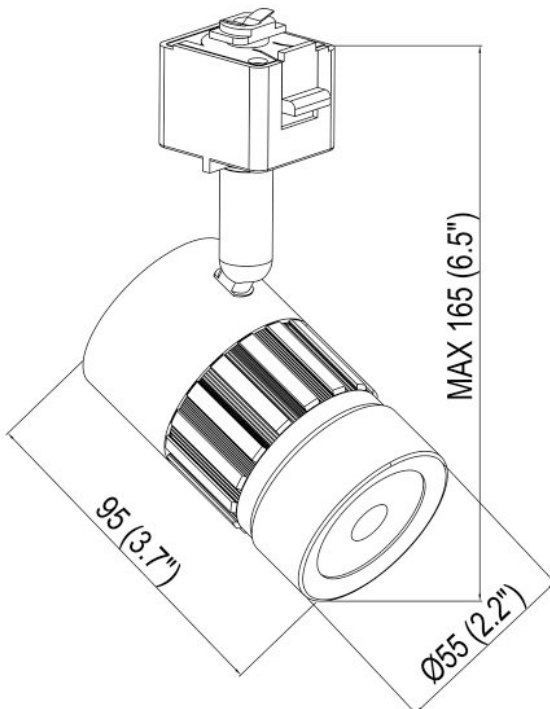
SPECIFICATION	
OAH (in.)	6
Overall Width (in.)	2.2
OA Depth (in.)	3.7
Bulb	Integrated LED
Dimmable	Yes
Voltage	120V AC 60Hz
Certifications and Listings	ETL Listed
Warranty	5 Years

LED Info	
Watts (W)	8
Lumens (lm)	700
lm/W	87.5
CCT	3000K
CRI	83+



Description

8 watt Integrated LED Track cylinder



KENDAL Lighting (BC) Inc.

#110, 6780 Dennett Place Delta, B.C. V4G 1N4 Ph: (604) 952-5510 · Toll Free: 1-888-306-3267

info@kendallighting.com www.kendallighting.com