

**SEPTUM  
TL73708  
TABLE LAMP**

PROJECT



TL73708-CH  
Chrome



TL73708-MB/CH  
Matte  
Black/Chrome

**SPECIFICATION DETAILS**

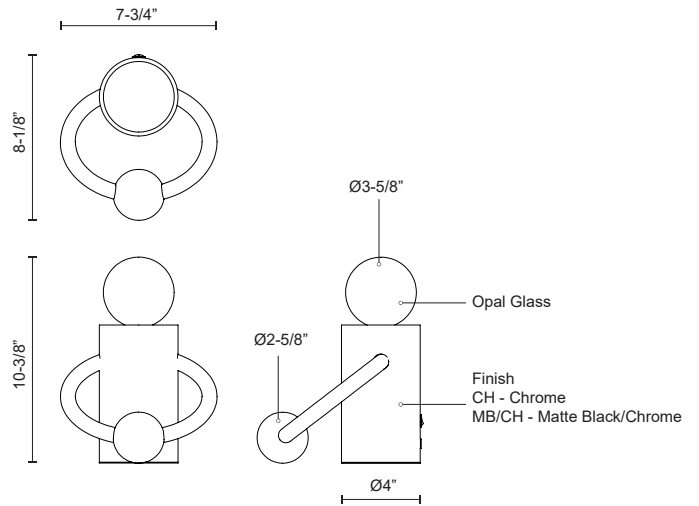
<b>Fixture Dimensions</b>	W7-3/4" x H10-3/8" x E8-1/8"
<b>Extension</b>	8-1/8"
<b>Light Source</b>	LED
<b>Wattage</b>	7W
<b>Total Lumens</b>	750lm
<b>Delivered Lumens</b>	400lm*
<b>Voltage</b>	120V
<b>Color Temperature</b>	3000K
<b>CRI (Ra)</b>	90CRI
<b>Optional Color Temps</b>	2700K - 5000K Available, Minimum Order Quantities Apply
<b>LED Rated Life</b>	50,000 hours
<b>Dimming</b>	Non-Dimming, On/Off Push Button
<b>Wire Length</b>	96"
<b>Wire Type</b>	Black Braided Cord
<b>Location</b>	Dry
<b>Glass Details</b>	Opal Glass
<b>Illumination Direction</b>	Up
<b>Paint Finish</b>	CH01; MB01;

\* For custom options, consult factory for details.

\* For warranty information, please visit [www.kuzcolighting.com/warranty](http://www.kuzcolighting.com/warranty)

**DESCRIPTION**

Created in collaboration between Hannah Jewett and Kuzco, Septum was created as a functional lighting sculpture, featuring a sleek twist on the pierced metal hardware featured in Hannah Jewett's jewelry. The enlarged piercing allows for a new magnified look into one of the brand's classic yet futuristic silhouettes. Available in chrome or black.



**KUZCO**

CANADA: 19054 28TH AVENUE - SURREY, BC V3Z 6M3  
USA: 3035 E. LONE MOUNTAIN ROAD - LAS VEGAS, NV 89081

[WWW.KUZCOLIGHTING.COM](http://WWW.KUZCOLIGHTING.COM)

© 2023 KUZCO LIGHTING. ALL RIGHTS RESERVED.

**COMMENT**

