

Universal Track Cylinder

Model No. TL1701-BST

Project Details

Job Name	<input type="text"/>
Location	<input type="text"/>
Type/Qty	<input type="text"/>
Contact Info	<input type="text"/>
Note	<input type="text"/>

Features

- Directional light source providing 180° vertical aiming capability with 315° horizontal rotation
- Socket cover cylinder adjusts to bulb neck length with locking knob provided
- Dimmer compatible
- Ceramic 120V AC E26 Med. base socket
- Overall height: 7.5" max (directed straight down) not including bulb
- LED compatible
- Available Finishes: Black (BLK), Brushed Steel (BST), Oil Rubbed Bronze (ORB), White (WH)

SPECIFICATION

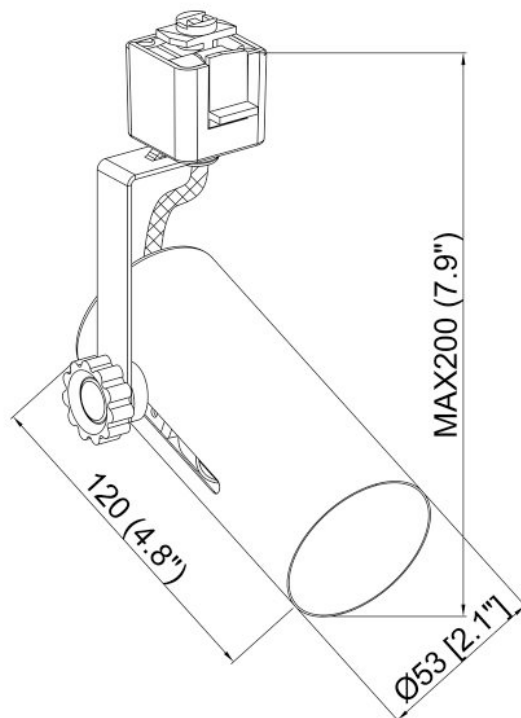
OAH (in.)	7.5
Overall Width (in.)	2
OA Depth (in.)	4.75
Bulb	E26 base
Max. wattage (W)	150
Number of Bulbs	1
Bulb included	No
Dimmable	Yes
Voltage	120V AC 60Hz
Certifications and Listings	ETL Listed
Warranty	1 Year

LED Info



Description

Line Voltage Universal track cylinder in a Brushed Steel finish for use with Med. Base Lamps



KENDAL Lighting (BC) Inc.

#110, 6780 Dennett Place Delta, B.C. V4G 1N4 Ph: (604) 952-5510 · Toll Free: 1-888-306-3267

info@kendallighting.com www.kendallighting.com