

Par 20 Gimbal Track Cylinder

Model No. TL1603-WH

Project Details

Job Name	<input type="text"/>
Location	<input type="text"/>
Type/Qty	<input type="text"/>
Contact Info	<input type="text"/>
Note	<input type="text"/>

Features

- Directional light source providing 105° vertical aiming capability with 330° horizontal rotation
- Locking knobs provided
- Gimbal diameter: 2.75"
- OAH: 7.5"
- Dimmer compatible
- 120V AC E26 Med. base socket
- LED compatible
- Available Finishes: Black (BLK), Brushed Steel (BST), Oil Rubbed Bronze (ORB), White (WH)

SPECIFICATION

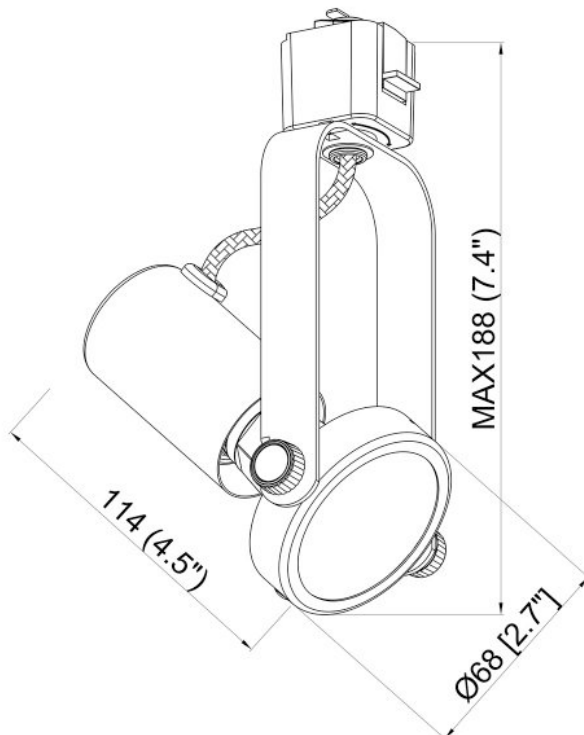
OAH (in.)	7.5
Overall Width (in.)	3.5
OA Depth (in.)	4
Bulb	Par 20
Max. wattage (W)	50
Number of Bulbs	1
Bulb included	No
Dimmable	Yes
Voltage	120V AC 60Hz
Certifications and Listings	ETL Listed
Warranty	1 Year

LED Info



Description

Line Voltage Gimbal track cylinder in a White finish for use with Par 20 Lamps



KENDAL Lighting (BC) Inc.

#110, 6780 Dennett Place Delta, B.C. V4G 1N4 Ph: (604) 952-5510 · Toll Free: 1-888-306-3267

info@kendallighting.com www.kendallighting.com