

# R2FBN1T, R2FRN1L, R2FSN1L, R2FBFT

## FQ 2" Shallow - New Construction Housing and Frame-in Kit



### SPECIFICATIONS

**Input:** Universal 120-277V AC 50/60 Hz

**Standards:** ETL & cETL, IC-rated, Airtight (see below for list)

**Dimming:** Electronic Low Voltage (ELV): 100%-1%  
TRIAC: 100%-1% 0-10V: 100-1%

**Emergency:** EM xtures provided with integral Emergency battery back up with 24" lead wire remote test switch. Provides at least 90 minutes of 6W illumination during emergency operation.

**Mounting:** New construction housings included with universal mounting brackets and hanger bars  
Ceiling cutout (Round and Square): Ø 3 1/2"  
Ceiling thickness: 1/2" - 1"

**Construction:** 20 Gauge galvanized sheet

**Warranty:** 5 year WAC Lighting product warranty

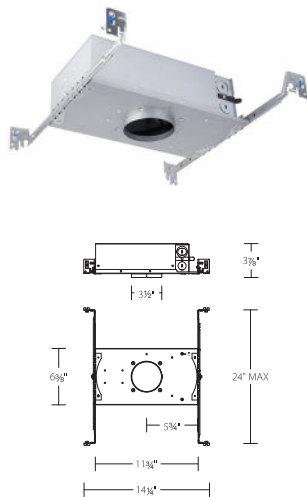
Fixture Type:

Catalog Number:

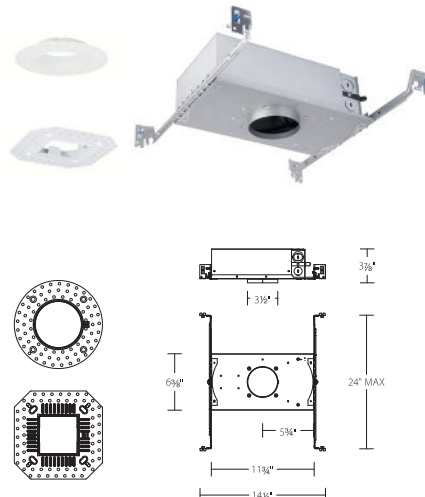
Project: \_\_\_\_\_

Location: \_\_\_\_\_

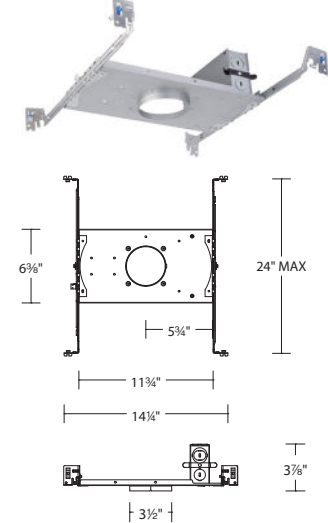
**New Construction Trimmed**



**New Construction Trimless**



**New Construction Frame-In Trimmed**



### HOUSINGS

Model

Power

Rating

HOUSINGS	Model	Power	Rating
New Construction Trimmed	<b>R2FBN1T</b> Round and Square	Airtight 1 15W	IC
New Construction Trimless	<b>R2FRN1L</b> Round (Spackle frame included)	Airtight 1 15W	IC
	<b>R2FSN1L</b> Square (Spackle frame included)		
New Construction Frame-in Trimmed	<b>R2FBFT</b> Round and Square	1 15W	Non-IC

### R2F \_\_\_ - \_\_\_

Example: **R2FBN1T-1**

wacighting.com

Phone (800) 526.2588

Fax (800) 526.2585

Headquarters, East Manufacturing Facility

44 Harbor Park Drive

Port Washington, NY 11050

South East Manufacturing Facility

1600 Distribution Ct

Lithia Springs, GA 30122

Central Manufacturing Facility

1700 South J Elmer Freeway, Ste 100

Cedar Hill, TX 75104

West Manufacturing Facility

1750 S Archibald Ave

Ontario, CA 91761

# R2FBN1T, R2FRN1L, R2FSN1L, R2FBFT

## FQ 2" Shallow - New Construction Housing and Frame-in Kit



### REPLACEMENT DRIVER

<i>Housing Model</i>	<i>Power</i>		<i>Replacement Driver Model</i>
<b>R2FBN1T, R2FRN1L, R2FSN1L</b>	<b>1</b>	<i>15W</i>	D-R2FN-1
<b>R2FBFT</b>	<b>1</b>	<i>15W</i>	D-R2FF-1

Example:

For **R2FRN1L-1** housing, choose replacement driver model **D-R2FN-1**