

# ARCADIA PD59708

## PENDANTS

PROJECT



PD59708-BK/OP  
Black/Opal Glass



PD59708-BK/SM  
Black/Smoked



PD59708-BG/OP  
Brushed Gold/Opal  
Glass

### SPECIFICATION DETAILS

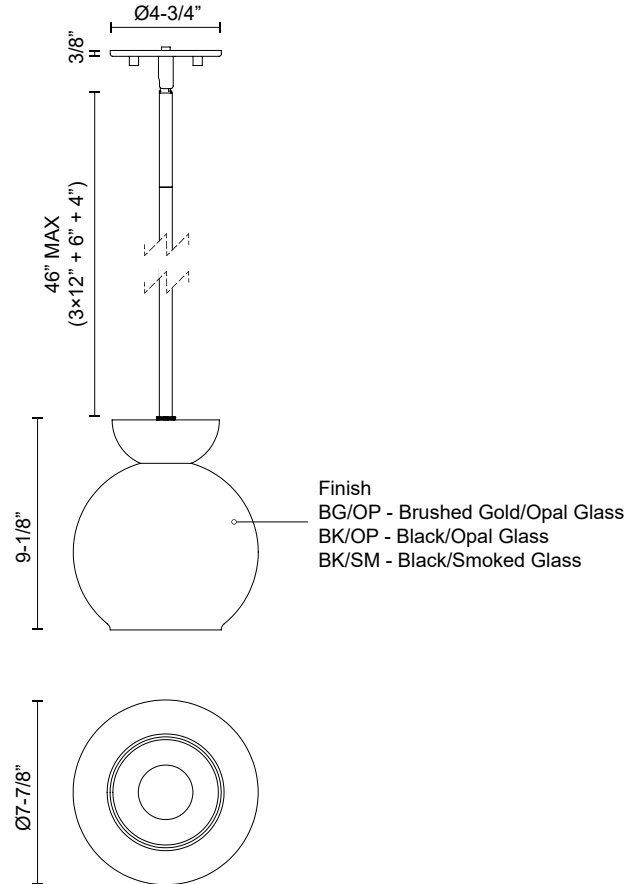
<b>Fixture Dimensions</b>	D7-7/8" x H9-1/8"
<b>Lamp Type</b>	Incandescent, A19, Medium Base
<b>Wattage</b>	1 x 60W
<b>Voltage</b>	120V
<b>Glass Details</b>	Opal Glass or Smoked Glass
<b>Adjustable</b>	Yes
<b>Rod Length</b>	46" Max (3x12" + 1x6" + 1x4")
<b>Wire Length</b>	120"
<b>Minimum Hang Height</b>	16"
<b>Sloped Ceiling Adaptable</b>	Yes, Up to 45 Degrees
<b>Location</b>	Dry
<b>Bulbs Included</b>	No
<b>Illumination Direction</b>	Down
<b>Canopy Dimensions</b>	D4-3/4" x H3/8"
<b>Paint Finish</b>	BG01; BK01;

\* For custom options, consult factory for details.

\* For warranty information, please visit [www.kuzcolighting.com/warranty](http://www.kuzcolighting.com/warranty)

### DESCRIPTION

The Arcadia Collection offers a trendy lighting design without all the frills. Depending on what style you're looking to achieve, the elegant sphere shades are available in soft, pleasant opal, or dramatic smoked glass. Each piece of the Arcadia family is available in a Powder-Coated Black or Brushed Gold finish



# KUZCO

CANADA: 19054 28TH AVENUE - SURREY, BC V3Z 6M3

USA: 3035 E. LONE MOUNTAIN ROAD - LAS VEGAS, NV 89081

[WWW.KUZCOLIGHTING.COM](http://WWW.KUZCOLIGHTING.COM)

© 2023 KUZCO LIGHTING. ALL RIGHTS RESERVED.

### COMMENT

