

## GU-10 Monopoint

Model No. MPGU-24-SN

### Project Details

Job Name	<input type="text"/>
Location	<input type="text"/>
Type/Qty	<input type="text"/>
Contact Info	<input type="text"/>
Note	<input type="text"/>

## Features

- Lamp: GU-10 120V/50W (max.)
- Head length: 3.5", Dia.: 2.5"
- OAH: 6.5"
- Available Finishes: Oil Rubbed Bronze (ORB), Satin Nickel (SN), White (WH)

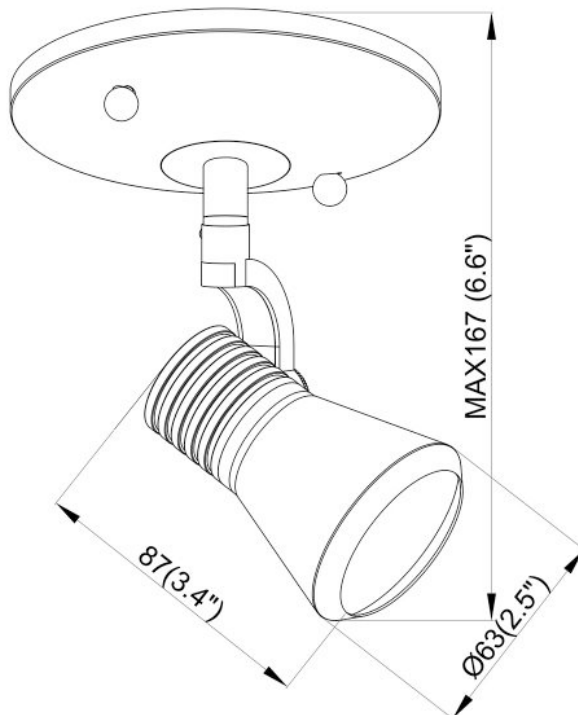
SPECIFICATION	
OAH (in.)	6.5
Overall Width (in.)	5
OA Depth (in.)	5
Bulb	GU-10
Max. wattage (W)	50
Number of Bulbs	1
Bulb included	No
Dimmable	Yes
Voltage	120V AC 60Hz
Certifications and Listings	ETL Listed
Warranty	1 Year

### LED Info



## Description

GU-10 Monopoint in a Satin Nickel finish



KENDAL Lighting (BC) Inc.

#110, 6780 Dennett Place Delta, B.C. V4G 1N4 Ph: (604) 952-5510 · Toll Free: 1-888-306-3267

info@kendallighting.com www.kendallighting.com