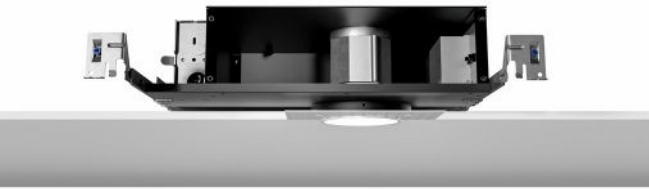


AETHER 3.5" - New Construction Housing

HR-3LED-H17A, HR-3LED-H17AC



Fixture Type:

Catalog Number:

Project: _____

Location: _____

PRODUCT DESCRIPTION

For use with 3.5" Aether series trims. IC-Rated and airtight.

FEATURES


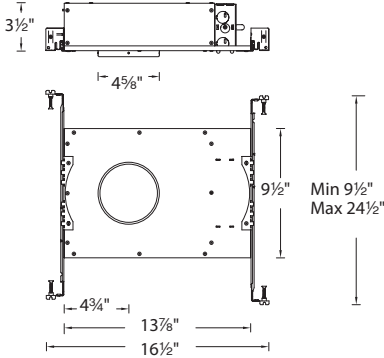
- IC rated shallow plenum family
- Compatible with trim, or round/square trimless, adjustable, wall wash
- 5 year WAC Lighting Product Warranty

SPECIFICATIONS

- Construction:** Powder coated finish on metal sheet
- Input:** 120V-277V AC
- Dimming:** 100% - 0% with 0-10V dimmer (120V - 277V)
100% - 5% with Electronic Low Voltage (ELV) dimmer (120V only)
- Cutout:** 4 5/8"
- Mounting:** Retention clips firmly hold trim to housing
- Ceiling thickness:** 1/2" - 1 1/2"
- Finish:** Black powder coat paint Adjustable and wall wash TrimDown-light and Invisible Trim
- Standards:** ETL & cETL Listed, Airtight

Housing

Model

 	<p>HR-3LED-H17A New Construction IC-rated, Airtight</p>
	<p>HR-3LED-H17AC New Construction IC-rated, Airtight Chicago Plenum</p>

HR-3LED-H17

Example: HR-3LED-H17A

wacighting.com

Phone (800) 526.2588

Fax (800) 526.2585

Headquarters, East Manufacturing Facility

44 Harbor Park Drive

Port Washington, NY 11050

South East Manufacturing Facility

1600 Distribution Ct

Lithia Springs, GA 30122

Central Manufacturing Facility

1700 South J Elmer Freeway, Ste 100

Cedar Hill, TX 75104

West Manufacturing Facility

1750 S Archibald Ave

Ontario, CA 91761