

**MEL**  
**FM53005**  
 FLUSH MOUNT

PROJECT



FM53005-BK/OP  
 Black/Opal Glass



FM53005-BG/OP  
 Brushed Gold/Opal  
 Glass

**SPECIFICATION DETAILS**

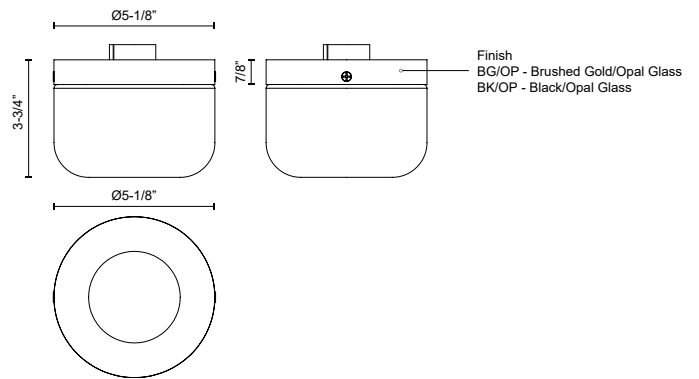
<b>Fixture Dimensions</b>	D5-1/8" x H3-3/4"
<b>Light Source</b>	DC LED WITH DRIVER
<b>Wattage</b>	13W
<b>Total Lumens</b>	1360lm
<b>Delivered Lumens</b>	860lm
<b>Voltage</b>	120V
<b>Color Temperature</b>	3000K
<b>CRI (Ra)</b>	90CRI
<b>Optional Color Temps</b>	2700K - 5000K Available, Minimum Order Quantities Apply
<b>LED Rated Life</b>	50,000 hours
<b>Dimming</b>	100% - 10%, TRIAC or ELV Dimmer (Not Included)
<b>Glass Details</b>	Opal Glass
<b>Location</b>	Damp
<b>Illumination Direction</b>	Down
<b>CEC Title 24 JA8</b>	Yes, JA8-2022
<b>Canopy Dimensions</b>	D5-1/8" x H7/8"
<b>Paint Finish</b>	BG01; BK02;

\* For custom options, consult factory for details.

\* For warranty information, please visit [www.kuzcolighting.com/warranty](http://www.kuzcolighting.com/warranty)

**DESCRIPTION**

The Mel Collection is a flush mount for those seeking something minimal and trendy. With two base finishes to choose from, these modern lamps have frosted opal diffusers that seamlessly flow in any room in your home



**KUZCO**

CANADA: 19054 28TH AVENUE - SURREY, BC V3Z 6M3  
 USA: 3035 E. LONE MOUNTAIN ROAD - LAS VEGAS, NV 89081

[WWW.KUZCOLIGHTING.COM](http://WWW.KUZCOLIGHTING.COM)

© 2023 KUZCO LIGHTING. ALL RIGHTS RESERVED.

**COMMENT**

