

# LED Floor Lamp

# FL83818

INSTALLATION SHEET

## START FROM HERE

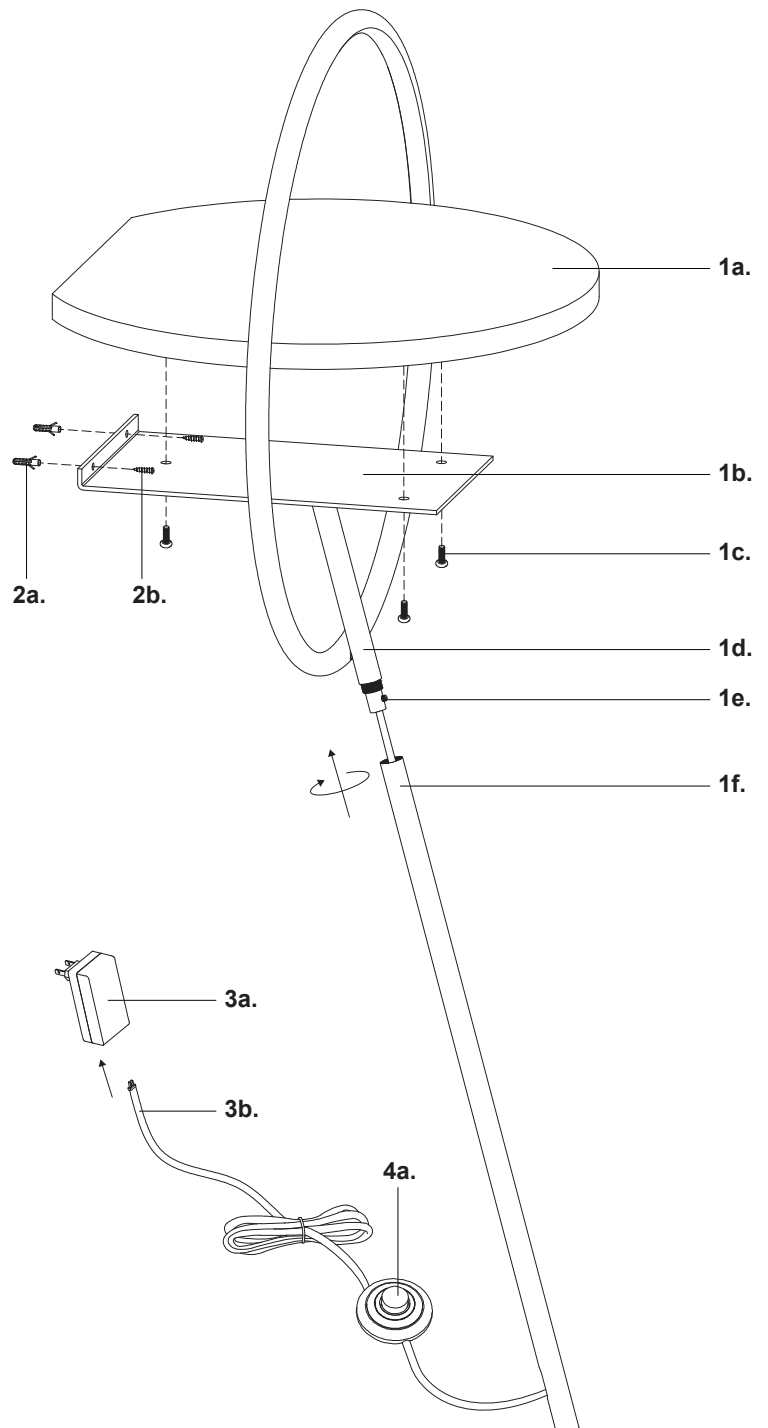
- Prepare everything in a clear area.
- Read instructions carefully before you start assembly.
- Keep this instruction sheet for future reference.

Technical Support: 1-855-855-8926

### Please Note:

- This Kuzco LED fixture comes with pre-wired LED module(s)
- Unless instructed, Do Not touch any part of the LED module(s) as any unnecessary contact with the module could cause permanent damage
- 120V input

- 1.** Remove the fixture from it's original packaging
- 2.** Gently pull wire through rod (**1f**) and secure with screw (**1e**)
- 3.** Attach rod (**1f**) to fixture ring body (**1d**) by threading clockwise
- 4.** Mount fixture ring plate (**1b**) to mounting surface with anchors (**2a**) and screws (**2b**)
- 5.** Attach table top (**1a**) to fixture ring plate (**1b**) and secure with screws (**1c**)
- 6.** Connect wire (**3b**) and driver (**3a**), then insert into outlet
- 7.** Use switch (**4a**) to turn ON/OFF



# KUZCO

19054 28th Avenue Surrey, BC Canada V3Z 6M3  
T: 604 538 7162 TF: 1-855 85 KUZCO F: 604 538 7196  
W: kuzcolighting.com  
20240109