

**CARSON  
EW61806-UNV**

WALL

PROJECT



**DESCRIPTION**

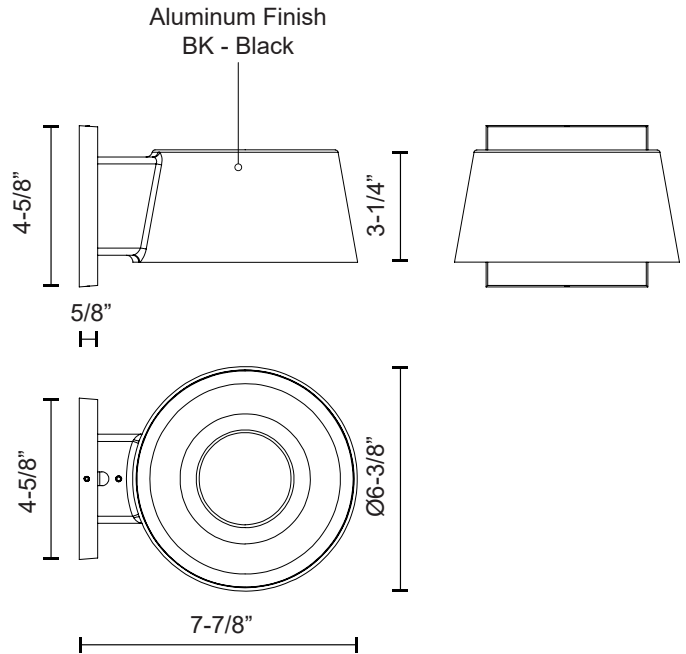
Architectural exterior wall sconce, die-cast aluminum conical body with glossy white reflector for even illumination. Rated IP65.

**SPECIFICATION DETAILS**

<b>Fixture Dimensions</b>	W6-3/8" x H3-1/4" x E7-7/8"
<b>Light Source</b>	LED with DC Driver
<b>Wattage</b>	11W
<b>Total Lumens</b>	1155lm
<b>Delivered Lumens</b>	BK-741lm
<b>Voltage</b>	120-277V
<b>Color Temperature</b>	3000K
<b>CRI (Ra)</b>	80CRI
<b>Optional Color Temps</b>	2700K - 5000K Available, Minimum Order Quantities Apply
<b>LED Rated Life</b>	50,000 hours
<b>Dimming</b>	Non-Dimming
<b>Diffuser Details</b>	Clear PC
<b>Location</b>	Wet, IP65
<b>Canopy Dimensions</b>	W4-5/8" x H4-5/8" x E1/2"
<b>Finish Option(s)</b>	Black
<b>Paint Finish</b>	BK02

\* For custom options, consult factory for details.

\* For warranty information, please visit [www.kuzcolighting.com/warranty](http://www.kuzcolighting.com/warranty)



**KUZCO**

CANADA: 19054 28TH AVENUE - SURREY, BC V3Z 6M3

USA: 3035 E. LONE MOUNTAIN ROAD - LAS VEGAS, NV 89081

[WWW.KUZCOLIGHTING.COM](http://WWW.KUZCOLIGHTING.COM)

© 2020 KUZCO LIGHTING. ALL RIGHTS RESERVED.

**COMMENT**

