

**KNOX**  
**EB41936-UNV**  
**BOLLARDS**

PROJECT



EB41936-BK-UNV  
 Black

**SPECIFICATION DETAILS**

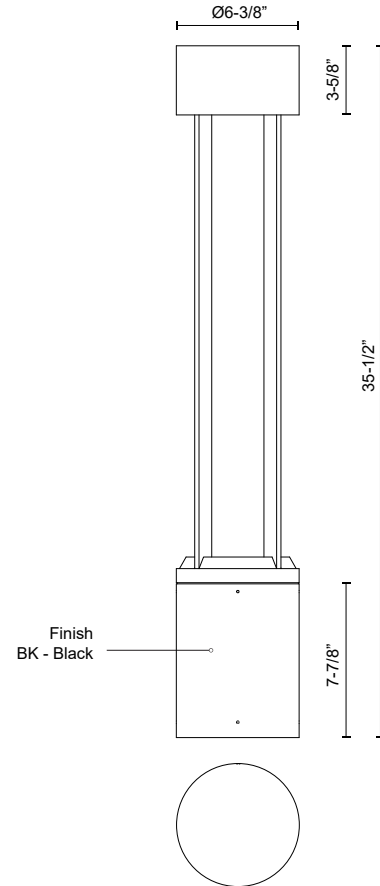
<b>Fixture Dimensions</b>	D6-3/8" x H35-1/2"
<b>Light Source</b>	LED with DC Driver
<b>Wattage</b>	24W
<b>Total Lumens</b>	2500lm
<b>Delivered Lumens</b>	1499lm
<b>Voltage</b>	120-277V
<b>Color Temperature</b>	3000K
<b>CRI (Ra)</b>	80CRI
<b>Optional Color Temps</b>	2700K - 5000K Available, Minimum Order Quantities Apply
<b>LED Rated Life</b>	50,000 hours
<b>Dimming</b>	100% - 10%, TRIAC or ELV Dimmer (Not Included)
<b>Location</b>	Wet
<b>Illumination Direction</b>	Down
<b>Paint Finish</b>	BK02

\* For custom options, consult factory for details.

\* For warranty information, please visit [www.kuzcolighting.com/warranty](http://www.kuzcolighting.com/warranty)

**DESCRIPTION**

Architecturally designed high-power LED exterior bollard fixture. This die-cast aluminum cylinder with a powder-coated finish features a high top and cage design with a radiant downlight to illuminate walkways and paths effectively



**KUZCO**

CANADA: 19054 28TH AVENUE - SURREY, BC V3Z 6M3  
 USA: 3035 E. LONE MOUNTAIN ROAD - LAS VEGAS, NV 89081

[WWW.KUZCOLIGHTING.COM](http://WWW.KUZCOLIGHTING.COM)

© 2023 KUZCO LIGHTING. ALL RIGHTS RESERVED.

**COMMENT**

