

# INVISILED® SMART CONTROL KIT

For InvisiLED Lite/Pro/Pro2/Pro3

# WAC



Fixture Type:

Catalog Number:

Project: \_\_\_\_\_

Location: \_\_\_\_\_

## PRODUCT DESCRIPTION

Transform your interiors with the InvisiLED® Smart Control Kit, designed exclusively for InvisiLED Lite, Pro, Pro 2 and Pro 3 Tape. Control your LED tape seamlessly via Wi-Fi using the MyWAC app with devices you already own, including Amazon Alexa and Google Home. Offers on/off activation and up/down dimming capability for 24VDC systems and high-output tape lighting applications. Or use DMX to control your popular control platforms.

## FEATURES

- Designed exclusively for use with InvisiLED Lite, Pro, Pro 2, and Pro 3 Tape, ensuring seamless integration with these specific models.
- Enables control of LED tape lighting via Wi-Fi, providing convenient and remote access to lighting settings.
- Provides the option to use DMX for controlling the lights, making it compatible with popular control platforms and suitable for professional setups.
- Offers integration with the MyWAC app, allowing users to control their LED tape using devices they already own.
- Compatible with popular voice assistants like Amazon Alexa and Google Home, facilitating voice-activated control and smart home integration for ease of use.
- Features on/off activation and up/down dimming capabilities, suitable for high-output tape lighting applications, offering flexibility in lighting control.
- These features combine to offer a versatile and user-friendly lighting control solution for various environments.

## ORDERING NUMBER

**CT-96-SM**     96W Power Supply  
Wireless DMX Controller  
Cable ready-to-connect InvisiLED Tape Lite/Pro/Pro2/Pro3

Example: **CT-96-SM**

## SPECIFICATIONS - POWER SUPPLY UNIT

**Model:** EN-24DC096-UNV-RB2  
**Input:** 120-277VAC, 50/60Hz  
**Output:** 24VDC, 96 W Max  
**Dimming:** Control through wireless controller CTR-WDMX-24VDC  
**Rated Life:** 50,000 Hours  
**Operating Temp:** -4°F to 104°F (-20°C to 40°C)  
**Standards:** UL, cUL, Class2 Power Unit, Damp Location Listed  
**IP:** IP20

## SPECIFICATIONS - WIRELESS CONTROLLER UNIT

**Model:** CTR-WDMX-24VDC  
**Input:** 24VDC, 96W Power Feed from power supply  
**Output:** 24VDC, 90 W Max  
**Dimming:** Control Through MyWAC app, WallStation, Good Home, Amazon Alexa  
**Rated Life:** 50,000 Hours  
**Operating Temp:** -4°F to 104°F (-20°C to 40°C)  
**Standards:** UL, cUL, Class2 Power Unit, Damp Location Listed  
**IP:** IP20

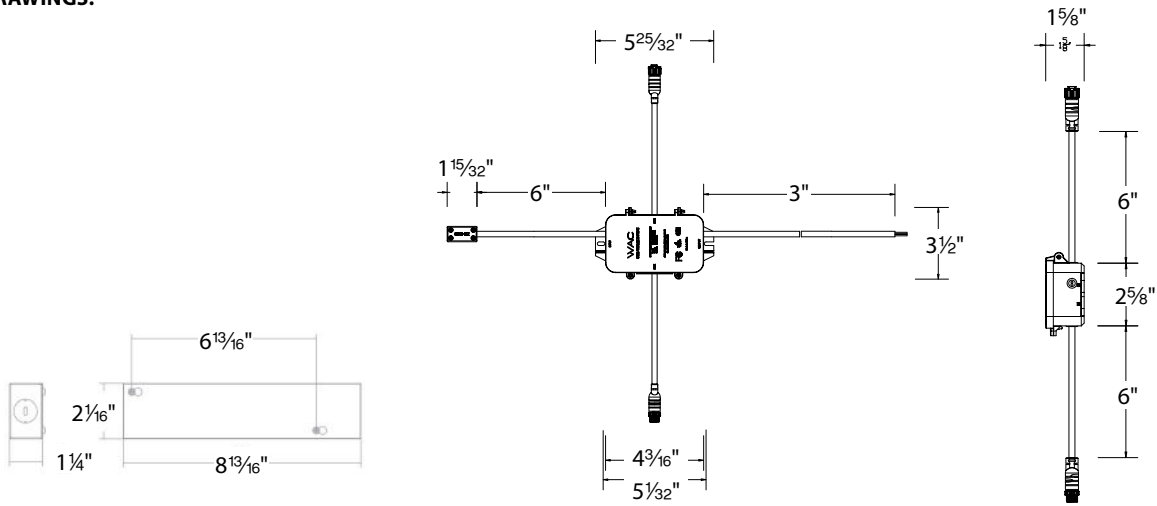
wacighting.com	Headquarters, East Manufacturing Facility	South East Manufacturing Facility	Central Manufacturing Facility	West Manufacturing Facility
Phone (800) 526.2588	44 Harbor Park Drive	1600 Distribution Ct	1700 South J Elmer Freeway, Ste 100	1750 S Archibald Ave
Fax (800) 526.2585	Port Washington, NY 11050	Lithia Springs, GA 30122	Cedar Hill, TX 75104	Ontario, CA 91761

# INVISILED® SMART CONTROL KIT

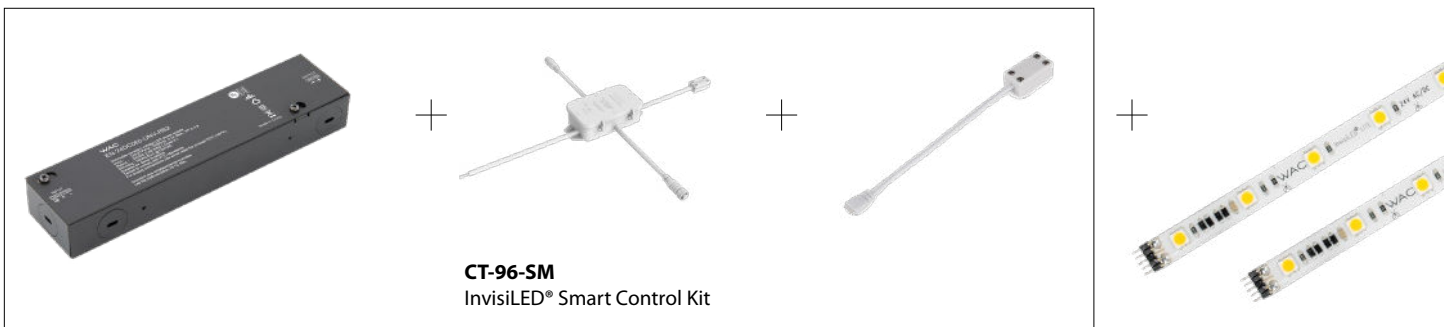
For InvisiLED Lite/Pro/Pro2/Pro3

# WAC

## LINE DRAWINGS:



## WIRING DIAGRAM:



wacighting.com

Phone (800) 526.2588

Fax (800) 526.2585

Headquarters, East Manufacturing Facility

44 Harbor Park Drive

Port Washington, NY 11050

South East Manufacturing Facility

1600 Distribution Ct

Lithia Springs, GA 30122

Central Manufacturing Facility

1700 South J Elmer Freeway, Ste 100

Cedar Hill, TX 75104

West Manufacturing Facility

1750 S Archibald Ave

Ontario, CA 91761