

**Whole Family**  
**KVF-Cxx-TDWJ 12V 24V 48VDC**  
**180W 192W 288W 300W 384W**  
**MUTI-CLASS 2**



**■Features**

- Output constant voltage, multi-channel for Class 2
- UL, cUL listed, FCC, Class 2, Type HL RoHS SELV
- Universal AC input: 100-277VAC
- Power Factor: up to 0.99
- High efficiency : up to 90%
- Dimming range: 0-100%
- Load: 10-100%
- Protection:short circuit/over loading/ Over temperature
- PWM output, does not change the color index
- Full protection aluminum housing, for dry, damp and wet location
- Flicker-free, PWM output
- Compatible with Forward phase, Reverse phase, Triac, MLV, ELV Dimmers
- Cooling by free air convection
- Suitable for LED lighting and moving sign applications

**Class 2 TYPE HL RoHS SELV**

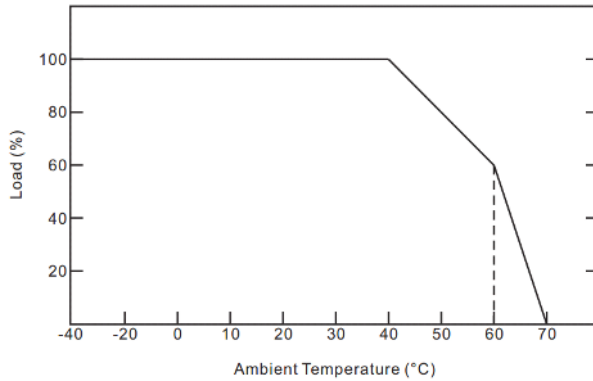
**■Specification**

Model		KVF-C24384-TDWJ	KVF-C48384-TDWJ
Certificates		UL cUL FCC ,Wet location	UL cUL FCC ,damp location
Output	DC Voltage	24V	48V
	Rated Current	4*4A	4*2A
	Rated Power	384W (4*96W)	384W (4*96W)
	Voltage Tolerance	±0.5V	±1V
	Voltage Regulation	±0.5%	
	Load Regulation	±1%	
Input	Voltage Range	100-277VAC	
	Frequency Range	47-63Hz	
	Power Factor (Typ.) @ full load	0.99@120VAC 0.95@277VAC	
	THD (Typ.) @ full load	<20%	
	Efficiency (Typ.) @ full load	87%@120V 90%@277VAC	
	AC Current (Max.)	4A	
	Inrush Current (Typ.)	48A ,50%,46.4us @120VAC 48A,50%, 35.6us @277VAC	
	Leakage current	<0.50mA	
Protection	Short Circuit	shut down o/p voltage, re-power on to recover after fault condition is removed	
	Over Loading	≤120% Hiccup mode ,recovers automatically after fault condition is removed	
	Over temperature	100°C±10°C shut down o/p voltage, automatically recover after cooling.	
Environment	Working TEMP.	-40~+60°C (see below derating curve)	
	Working Humidity	20~90%RH, non-condensing	
	Storage TEMP. Humidity	-40~+80°C, 10~95%RH	
	TEMP .coefficient	±0.03%/°C (0~50°C)	
	Vibration	10~500Hz, 5G 10min./1 cycle,period for 60min. each along X,Y,Z axes	
Safety& EMC	Safety standards	UL8750	
	Withstand voltage	I/P-O/P:1.88KVAC	
	Isolation resistance	I/P-O/P:100MΩ/500VDC/25°C/70%RH	
	EMC EMISSION	FCC 47 CRF Part 15, Subpart B	
others	Net. Weight	2.7Kg	
	Size	323*140*47.5mm (L*W*H)	
	packing	5pcs /CTN	

## Phase cut /Triac dimmable driver-PWM output    KVF-Cxx-TDWJ series 384W

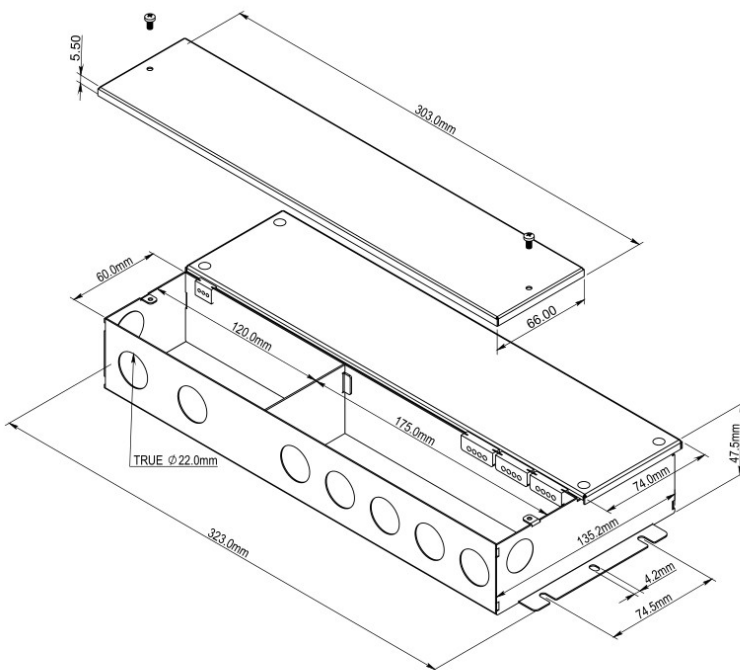
<b>Notes</b>	<p>1. All parameters if NOT specially mentioned are measured at 120VAC input , rated load and 25°C of ambient temperature.</p> <p>2. To extend the driver's using life ,please reduce the loading at lower input voltage.</p>
--------------	---

### ■ Derating Curve



※To extend their life, please refer to the Derating Curve and derate according to the temperature.

### ■ Mechanical Specification



Unite: mm  
Tolerance:P 0.5-2mm

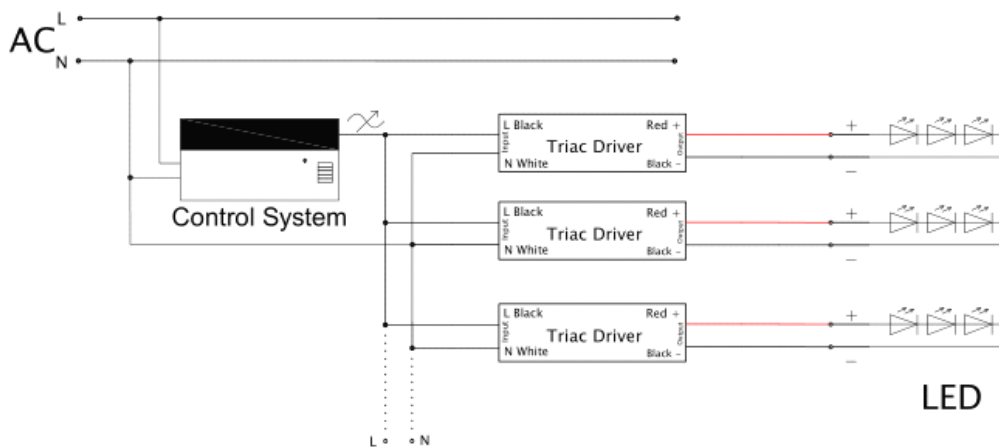
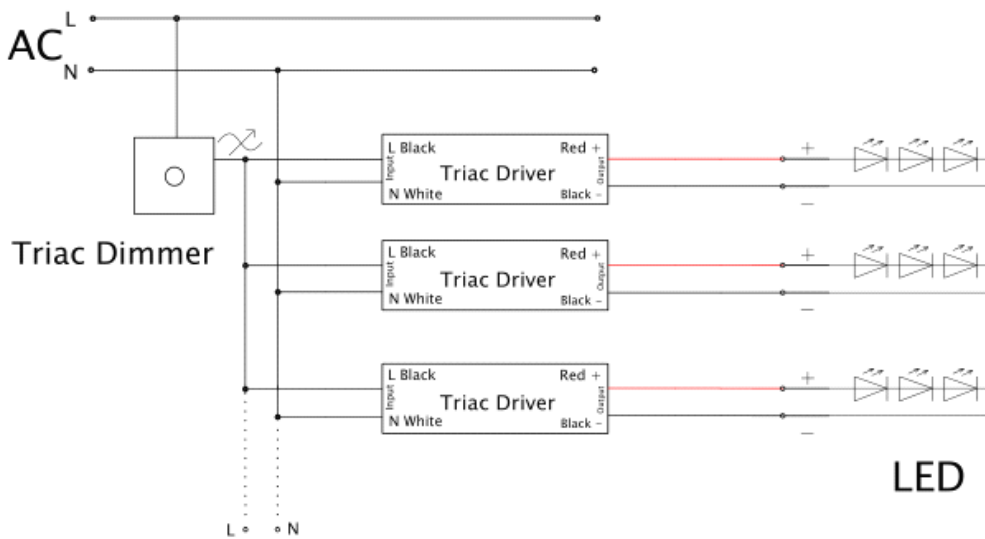
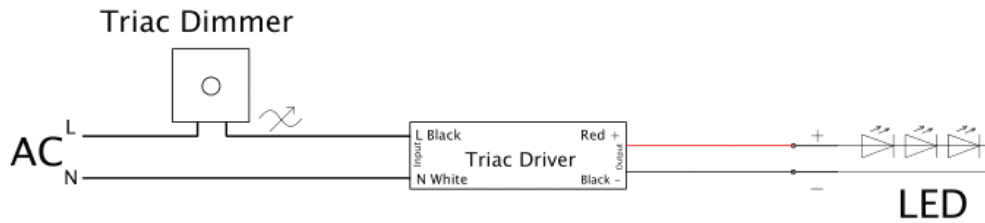
323(L)\*140(W)\*47.5(H)mm

- ※ Input wire 18AWG Black and White to be connected to AC L and N ,Green wire is ground wire and goes ground.
- ※Output wire16AWG Red to LED Positive side (+) while Black to LED Negative side (-); Four groups output cables for KVF-C24384-TDWJ and KVF-C48384-TDWJ

### ■ Dimming Operation

- ※The Pulse-Width Modulation (PWM) of output voltage can be adjusted through input terminal of the AC phase line(L) by connection a phase/triac dimmer.
- ※Usually matching with Forward phase , leading edge , Magnetic low voltage, triac dimmers, or Reverse phase, trailing edge ,Electric low voltage Dimmers.
- ※Please try to use dimmers with power at least 1.5 times as the output power of the driver.

■ Connecting Diagram



■ Instruction:

- 1) This driver should be installed by qualified and professional person;
- 2) Please make sure the driver is installed with adequate ventilation around it to allow for heat dissipation.
- 3) Ensure that wiring is correct before test in order to avoid light and power supply damage;
- 4) If driver Cannot work normally, don't maintain privately;

Have any question, please contact Zhuhai Shengchang Electronics co.,ltd

Please visit our website or contact us for more information! [www.scpower.net.cn](http://www.scpower.net.cn)