

**Whole Family**  
**KVF-Cxx-TDWJ 12V 24V 48VDC**  
**180W 192W 288W 300W 384W**  
**MUTI-CLASS 2**



**■Features**

- Output constant voltage, multi-channel for Class 2
- UL, cUL listed, FCC, Class 2, Type HL RoHS SELV
- Universal AC input: 100-277VAC
- Power Factor: up to 0.99
- High efficiency : up to 91%
- Dimming range: 0-100%
- Load: 10-100%
- Protection:short circuit/over loading/ Over temperature
- PWM output, does not change the color index
- Full protection aluminum housing, for dry, damp and wet location
- Flicker-free, PWM output
- Compatible with Forward phase, Reverse phase, Triac, MLV, ELV Dimmers
- Cooling by free air convection
- Suitable for LED lighting and moving sign applications

**Class 2 TYPE HL RoHS SELV**

**■Specification**

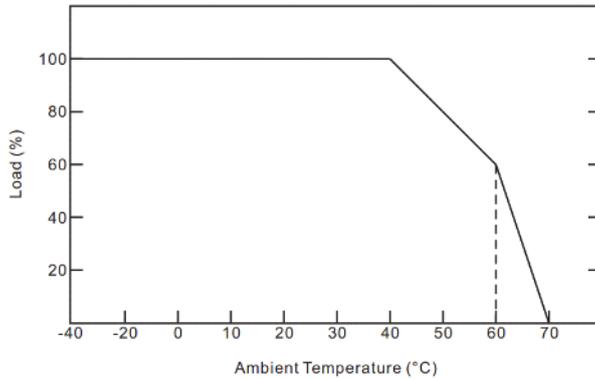
Model		KVF-C12300-TDWJ	KVF-C24288-TDWJ
Certificates		UL cUL FCC	
Output	DC Voltage	12V	24V
	Rated Current	5*5A	3*4A
	Rated Power	300W (5*60W)	288W (3*96W)
	Voltage Tolerance	±0.5V	
	Voltage Regulation	±0.5%	
	Load Regulation	±1%	
Input	Voltage Range	100-277VAC	
	Frequency Range	47-63Hz	
	Power Factor (Typ.) @ full load	0.99@120VAC 0.95@277VAC	0.99@120VAC 0.95@277VAC
	THD (Typ.) @ full load	<20%	
	Efficiency (Typ.) @ full load	85%@120VAC 90%@277VAC	87%@120VAC 89%@277VAC
	AC Current (Max.)	3.6A@100VAC	3.4A@100VAC
	Inrush Current (Typ.)	35A (twidh=960us) @120VAC ; 43A (twidh=1ms) @277VAC	
Protection	Leakage current	<0.50mA	
	Short Circuit	shut down o/p voltage, re-power on to recover after fault condition is removed	
	Over Loading	≤120% Hiccup mode ,recovers automatically after fault condition is removed	
Environment	Over temperature	100°C±10°C shut down o/p voltage, automatically recover after cooling.	
	Working TEMP.	-40~+60°C (see below derating curve)	
	Working Humidity	20~90%RH, non-condensing	
	Storage TEMP. Humidity	-40~+80°C, 10~95%RH	
	TEMP .coefficient	±0.03%/°C (0~50°C)	
Safety& EMC	Vibration	10~500Hz, 5G 10min./1 cycle,period for 60min. each along X,Y,Z axes	
	Safety standards	UL8750	
	Withstand voltage	I/P-O/P:1.88KVAC	
	Isolation resistance	I/P-O/P:100MΩ/500VDC/25°C/70%RH	
others	EMC EMISSION	FCC Part 15 B	
	Net. Weight	2.45Kg	
	Size	301*110*45mm (L*W*H)	
	packing	10pcs /CTN	

## Phase cut /Triac dimmable driver-PWM output KVF-Cxx-TDWJ series 288W 300W

### Notes

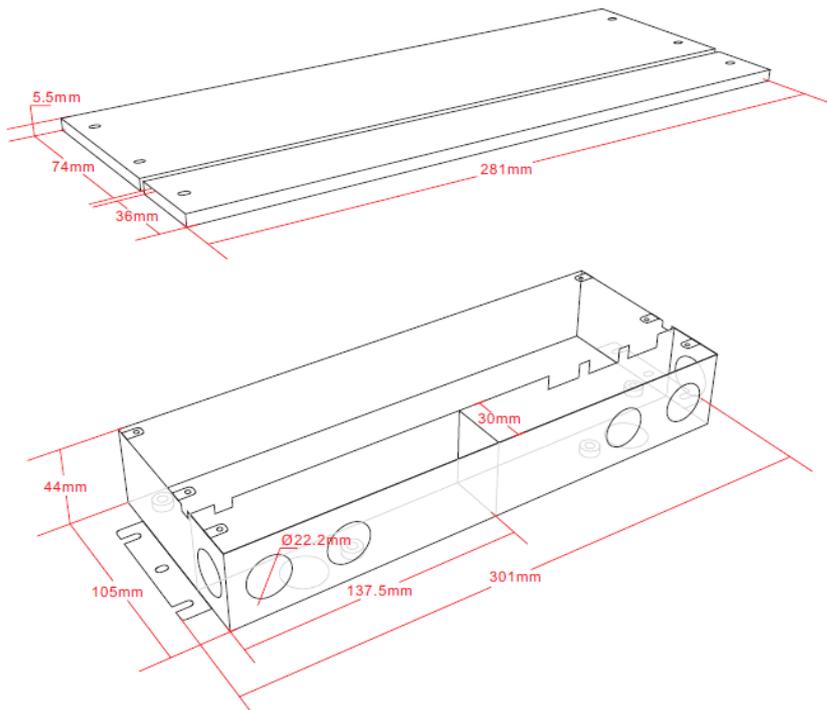
1. All parameters if NOT specially mentioned are measured at 120VAC input , rated load and 25°C of ambient temperature.
2. To extend the driver's using life ,please reduce the loading at lower input voltage.

### Derating Curve



※To extend their life, please refer to the Derating Curve and derate according to the temperature.

### Mechanical Specification



Unite: mm

Tolerance:P 0.5-2mm

301(L)\*110(W)\*45(H) mm

※ Input wire 18AWG Black and White to be connected to AC L and N ,Green wire is ground wire and goes ground.

※Output wire 16AWG Red to LED Positive side (+) while Black to LED Negative side (-); Five groups output cables for KVF-C12300-TDWJ while three groups for KVF-C-24288-TDWJ

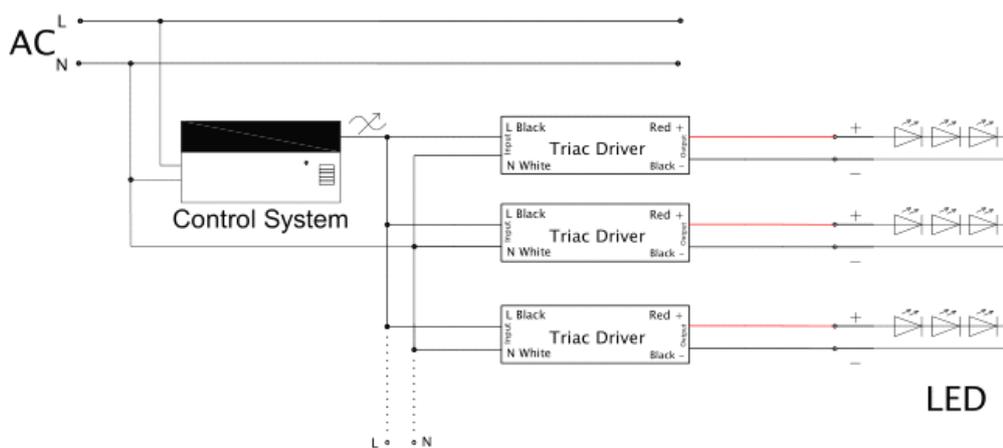
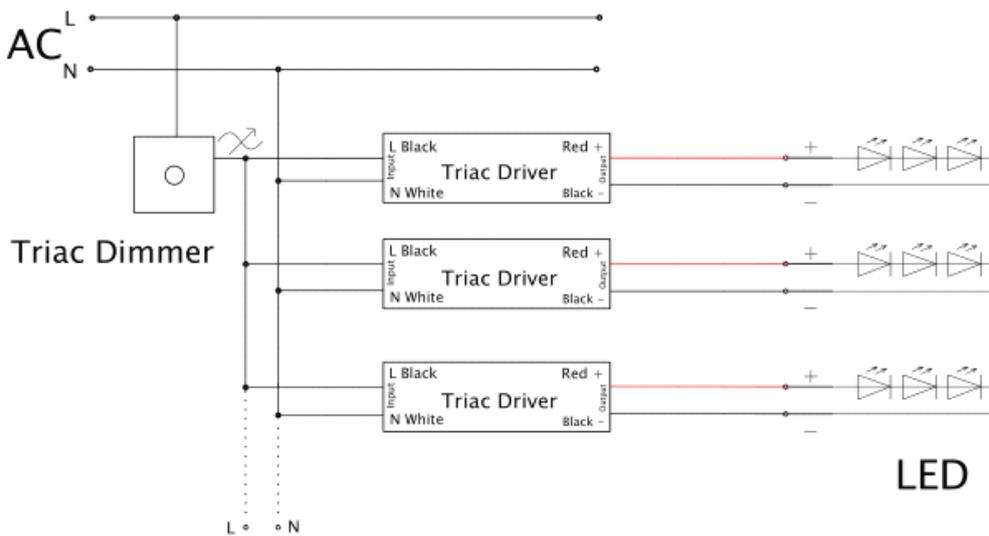
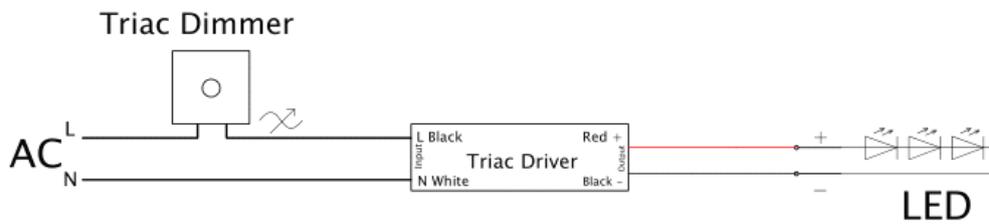
### Dimming Operation

※The Pulse-Width Modulation (PWM) of output voltage can be adjusted through input terminal of the AC phase line(L) by connection a phase/triac dimmer.

※Usually matching with Forward phase , leading edge , Magnetic low voltage, triac dimmers, or Reverse phase, trailing edge ,Electric low voltage Dimmers.

※Please try to use dimmers with power at least 1.5 times as the output power of the driver.

■ Connecting Diagram



■ Instruction:

- 1) This driver should be installed by qualified and professional person;
- 2) Please make sure the driver is installed with adequate ventilation around it to allow for heat dissipation.
- 3) Ensure that wiring is correct before test in order to avoid light and power supply damage;
- 4) If driver Cannot work normally, don't maintain privately;

Have any question, please contact Zhuhai Shengchang Electronics co.,ltd

Please visit our website or contact us for more information! [www.scpower.net.cn](http://www.scpower.net.cn)