

4" Round Regress Gimbal Downlight

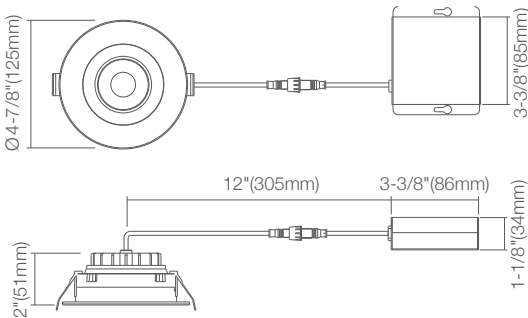


Features

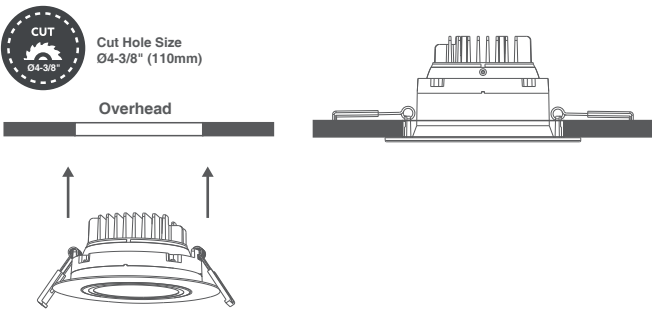
- * Durable Aluminum body with adjustable gimbal
- * Simple snap-in installation is fast and easy
- * Tilting gimbal light source for directional lighting
- * I.C. rated for direct contact with insulation
- * No housing required
- * Input voltage: AC 120V 60Hz
- * 100-10% dimming capability this fixture is compatible with industry standard TRIAC/ELV dimmers
- * Rated for a long life - over 50,000 hours
- * Suitable for WET LOCATION
- * Dim to Warm 3000K-1800K



DIMENSION



INSTALLATION



SPECIFICATIONS	
Model	ADLED4S12WDTWWHLREY
Watts	12W
CRI	90Ra or 80Ra
Color Temperature(K)	LIGHT CCT: Dim to Warm 3000K-1800K
Light Output(lm)	800lm
Default Driver Input	AC120V,60Hz
Dimming	Triac Dimming
Power Factor	>0.9
Approved Location	Wet Location
Air Tight	Yes
Operating Temp	(-4°F~104°F) -20~40°C
Beam Angle	38°

PACKAGE	
Weight.(g)	610g
Qty/CTN (pcs)	20pcs/CTN
Box Dimension	345*285*575mm
Gross Weight	13.7kg/CTN

Notes:
 * XX represents different CCT, 27 for 2700K;3 for 3000K; 35 for 3500K; 4 for 4000K; 5 for 5000K or DTW
 * YY represents different color finish, WH for white; BN for brushed nickel; BK for Black; BZ for Bronze. Example: AD-LED-4-S12W-DTW-YY-LREY

INCLUDED IN BOX

4" Square Regress Gimbal Downlight



ACCESSORIES

Mounting Plate

MP4
 The MP4 is a 4" new construction pre-mounting plate with collar for use with screw down "C" style remodel housings opening Ø4-3/8" (110mm)

MP-UNV-346
 The MP-UNV-346 is a 3 1/4" new construction pre-mounting plate opening Ø3"(75mm), Ø4-3/8"(110mm), Ø6-1/4"(160mm)

Emergency Backup



AL-GM30-1500600
 15W Emergency Driver
 AC100-347 VAC 50/60Hz,
 emergency time 90mins,
 Battery Li-ion battery, 14.8V/2000mAh