

## FEATURES:

- Heavy Gauge Steel Housing.
- Finish is high reflectance baked white enamel.
- Wiring knockouts are provided on back and end of housing.
- Polycarbonate lens and end cap, high flame retardant point.
- Class II/P driver, with 0-10V or Triac dimming.
- 50,000+ Hours LED Life Expectancy.
- Fast and easy to install.
- Power factor: >0.98.
- Quick disconnects between housing .
- Driver disconnect provided where required to comply.
- 5 Year Warranty.
- Damp location.
- UL/cUL us listed.
- DLC pending & CCT tunable version optional
- Ambient Temperature:-30 ~ 40 °C(-22° F to +104° F)
- Damp Location Rated



## APPLICATIONS:

Warehouses/Office  
Retail /Hallways  
Utility areas



## Ordering information (Wattage Selectable)

Item	Watts	3 CCT	Efficacy	Voltage	Dimension(L*W*H):Inch		
MX453ALM02012BVKD5A	20W 30W 40W	35K 40K 50K	120lm/w- 135lm/W	120-347V	23.40	2.36	3.34
MX453ALM04014BVKD5A	20W 30W 40W	35K 40K 50K	120lm/w- 135lm/W	120-347V	45.86	2.36	3.34
MX453ALM08018BVKD5A	40W 60W 80W	35K 40K 50K	120lm/w- 135lm/W	120-347V	45.86	2.36	3.34

\*Please contact your Brandon representative to order products that don't have order codes listed here or any info required

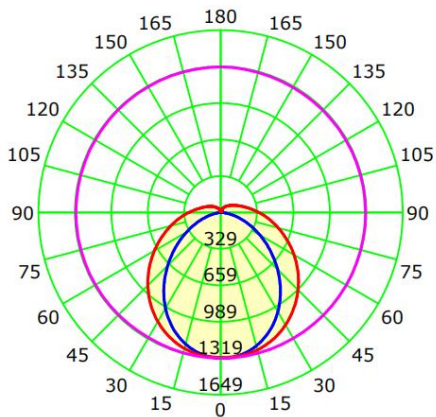
\*Due to continuing product improvements, Brandon Lighting reserves the right to change the specifications without notice.

# ORDERING

Model	Color of Lens	Watts	Length	Mounting Method	CCT	Driver	Accessories
MX453A	LM-Milky lens	020: 25W	12-2ft	B: Surface/ Suspended	30:3000K	<b>D1</b> -120-277V	A: No sensor& EM
	LD-Clear lens	032: 32W	14-4ft	W: Wall	35:3500K	<b>D2</b> -347V	B: With Sensor
	LX-No lens	050: 50W	18-8ft	R: Recessed	40:4000K	<b>D3</b> -120-347V	C: With EM
	LW-wire cage	060:60W			45:4500K 50:5000K	<b>D4</b> -120-277V wattage selectable <b>D5</b> -120-347V wattage selectable <b>D6</b> -347-480V	D: With Sensor& EM

# PHOTOMETRIC

Luminous Intensity Distribution Curve

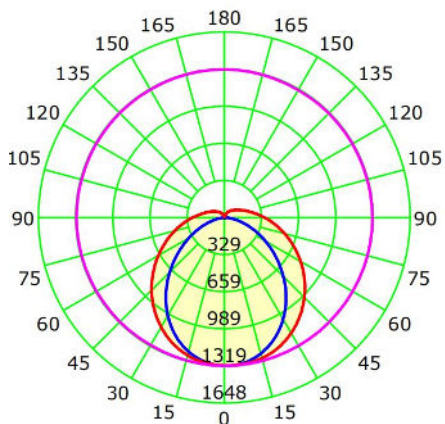


Average Diffuse Angle(50%): 111.8° Unit: cd

— C0-C180 — C90-C270 — G1

Luminaire	4000K
Input Voltage(VAC)	120-277
Power (W)	31.78
Delivered Lumen(Lm)	4562.8
Efficacy(Lm/W)	144
Beam Angle	H94.1 V129.6
Power Factor(PF)	>92
Color Rendering Index(CRI)	>82

Luminous Intensity Distribution Curve



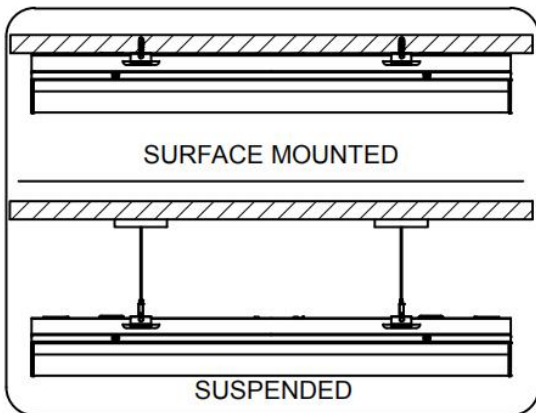
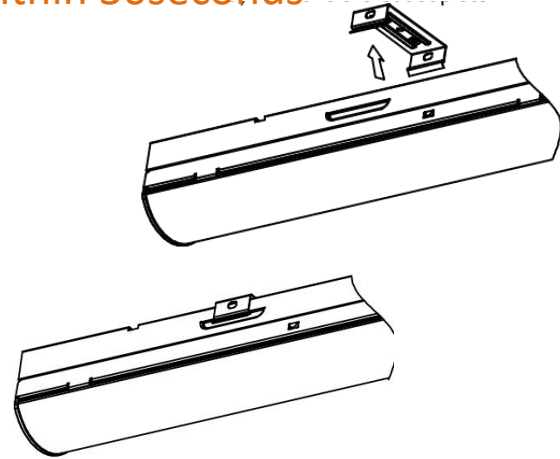
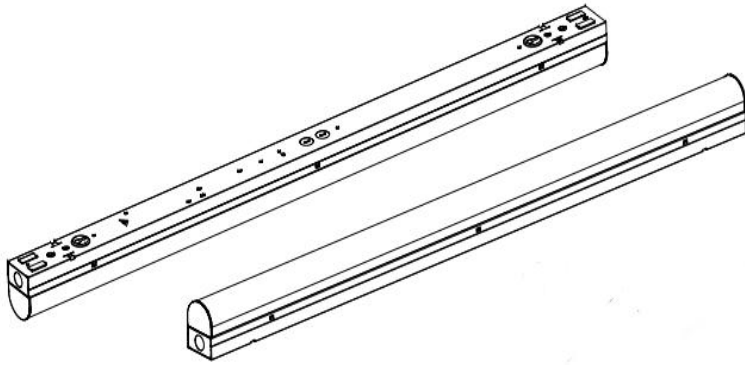
Average Diffuse Angle(50%): 112.1° Unit: cd

— C0-C180 — C90-C270 — G1

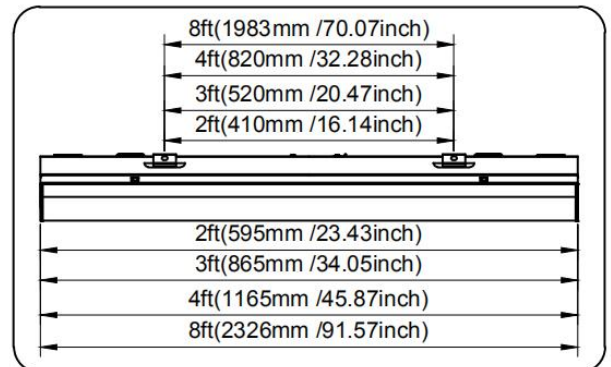
Luminaire	5000K
Input Voltage(VAC)	120-277
Power (W)	31.78
Delivered Lumen(Lm)	4578.7
Efficacy(Lm/W)	147
Beam Angle	H94.9 V129.3
Power Factor(PF)	>92
Color Rendering Index(CRI)	>82

INSTALLATION

Note: Quick Surface Mount within 30seconds



Installation Dimension



Accessories to be added separated

1. Sensor & Emergency kit



Sensor MC601V+  
sensor Box

Recommended



Internal Microwave  
Motion Sensor BRI810-  
B-M4



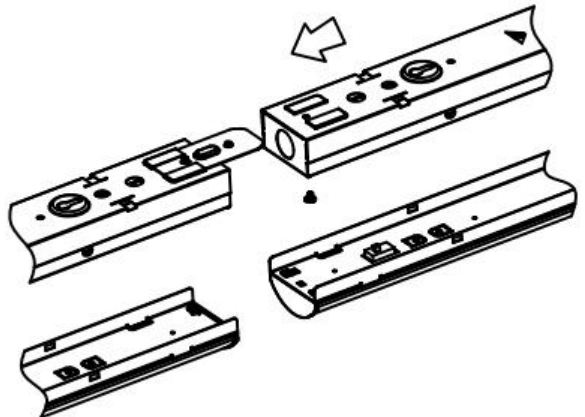
BRI819

Microwave PIR  
BRI819



BLD-CM20E-4800800  
Lithium Battery

2. Connection plate



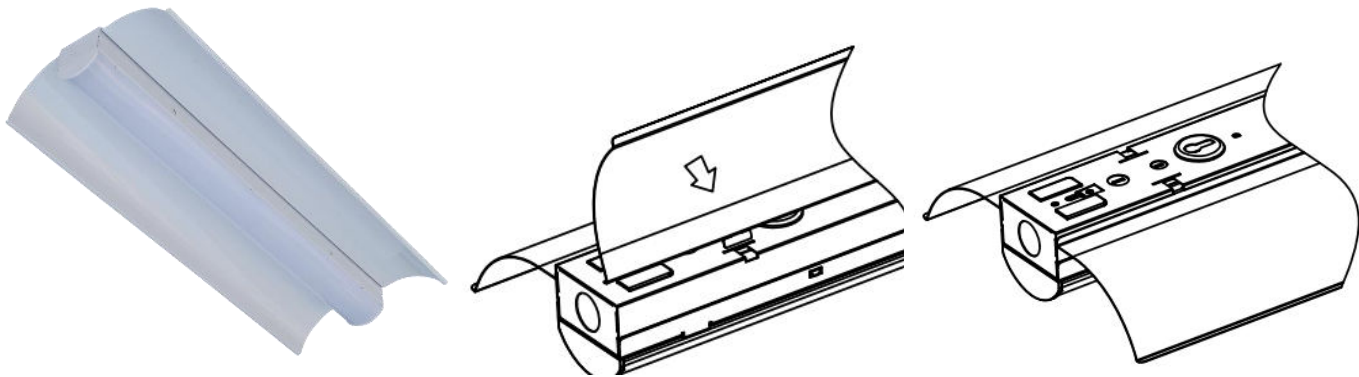
## Accessories to be added separated

### 3. Junction box cover



Note: If this is needed please tell your representative as standard fixture will not have mounting hole for this cover

### 4. Reflector



### 5. Wire cage

