

Verona Round

Stem Mounting

14", 18", 24", 35", 47"

Installation Guide



IMPORTANT SAFETY INSTRUCTIONS

1. Read carefully before installing fixture. Retain for future reference.



WARNING

To prevent electrical shock, turn off electricity at fuse box before proceeding.

2. Failure to follow instructions may result in serious injury or death.

3. Upon receipt the fixture, thoroughly inspect for any freight damage which should be brought to the attention of the delivery carrier. Compare the catalog description listed on the package slip with the fixture label on the housing to assure you have received material.

4. This fixture must be wired in accordance with the international electrical code and applicable local codes and ordinances. Proper grounding is required to insure personal safety. Carefully observe the correct grounding procedure under installation section.

*Gleaming assumes no responsibility for claims arising out of improper or careless handling or installation of this product.

Uplight Switchable-14", 18", 24", 35", 47" Verona

Uplight Switchable	On	Off
Lighting Distribution	Indirect/Direct	Only Direct

CCT Selectable-14", 18", 24", 35", 47" Verona

CCT Selectable	3000K	3500K	4000K
----------------	-------	-------	-------

Wattage Adjustable-14", 18", 24", 35", 47" Verona

14" Verona

Output Current	500mA	600mA	700mA
Wattage Adjustable	22W	25W	28W

24" Verona

Output Current	1300mA	1400mA	1500mA
Wattage Adjustable	55W	59W	62W

35" Verona

Output Current (Driver 1)	1300mA	1400mA	1500mA
Output Current (Driver 2)	1300mA	1400mA	1500mA
Wattage Adjustable	115W	123W	132W

18" Verona

Output Current	1100mA	1200mA	1250mA
Wattage Adjustable	47W	50W	53W

47" Verona

Output Current (Driver 1)	1300mA	1400mA	1500mA
Output Current (Driver 2)	1300mA	1400mA	1500mA
Wattage Adjustable	115W	123W	132W

Attention: 35" and 47" Verona must keep Driver 1 and Driver 2 in same output current when adjust wattage, otherwise will cause damage to the fixtures. Gleaming will not be liable for any damage caused by improper operation.

Verona Round

Stem Mounting

14", 18", 24", 35", 47"

Installation Guide



1. Shut off power to the outlet box. (Fig.A)
2. On a flat workbench, loose the screws (J) from the upper cover (K). Use the hex nut (E) and the threaded bushing (I) to secure the upper cover (K) with the stem (G). Feed the power cord through the stem (G). Determine the height at which the fixture is to be hung. Adjust the power cord to the desired length. The power cord lengths can be shortened by cutting cord to length plus six inches. Use the screws (J) to fix the upper cover (K) with the fixture together.
3. Insert the support ring (H) and the round canopy (F) get through into the stem in turn. Use the hex nut (E) and M20 or M40 nut to secure the universal mounting plate and the end of stem together.
4. Make appropriate electrical connections using wire nuts.
 - a. Connect the powder feed's live wire (black) to the live outlet box wire.
 - b. Connect the power feed's neutral wire (white) to the neutral outlet box wire.
 - c. Connect the fixture's ground wire (green) to the ground outlet box wire. If no ground is present in outlet box, connect fixture's ground wire to the mounting plate using the green screw (By others).
 - d. If not using the 0-10V dimming function, cap off the purple and grey dimming wires.
 - e. Carefully place connections in outlet box.
5. Attached the mounting plate bracket (B) to the outlet (A), secure with outlet box screws (C). Use the screws holes (D) and wood screws (M) to secure the mounting plate (B) into the ceiling joists. CAUTIONS: Fixtures must be supported independent of outlet box. Customer is responsible for ensuring appropriate ceiling construction to support the weight of the fixture. For 35", 47", the wood screws (M) must be extra screwed on the load-bearing material through those screws holes (D).
6. Attach the round canopy (F) to the mounting plate (B), secure with the support ring (H), by using the hexagon wrench tool to slightly tighten the 3 screws on the support ring (H).
7. Restore the power to the fixture.

Care Instructions:

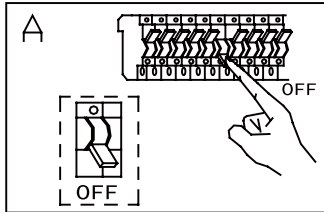
Use a clean, dry cloth when dusting. To protect the finish, avoid any harsh abrasives or chemicals.

Verona Round

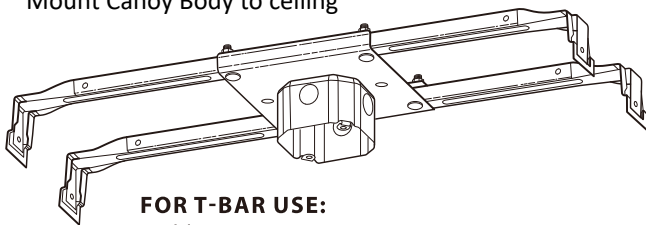
Stem Mounting

14", 18", 24", 35", 47"

Installation Guide

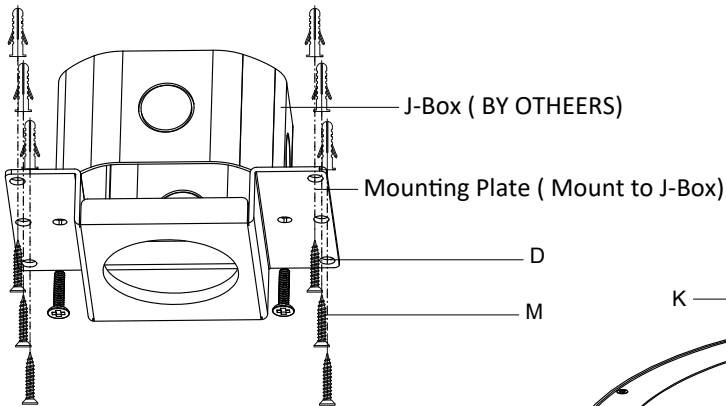


Mount Canopy Body to ceiling



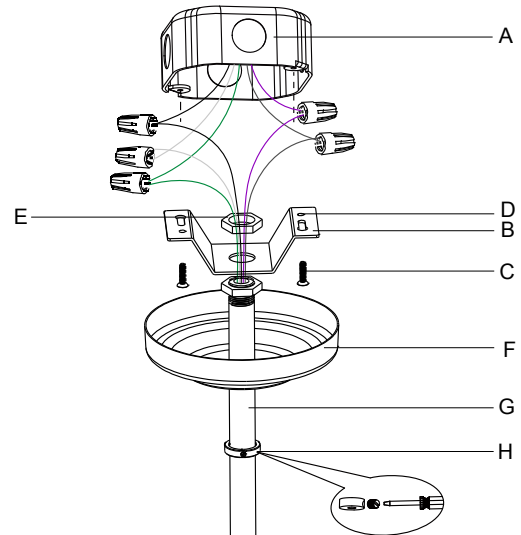
FOR T-BAR USE:

Caddy Fan-Fixture Mount
(BY OTHERS)



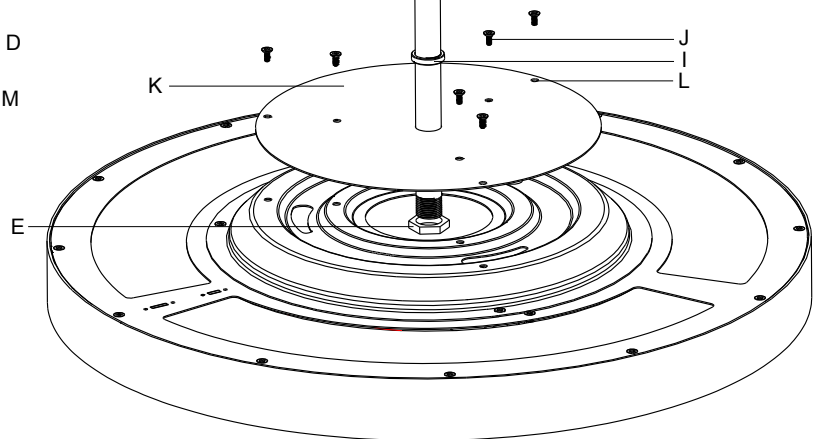
KA4*30mm Screw must be fixed on the mounting plate for 35", 47" fixture.

OPTIONAL: Mount to structural members on fixtures over 50lbs (BY OTHERS)



WIRING:

HOT: BLACK
NEUTRAL: WHITE
GROUND: GREEN
CONSTANT OR SECOND CONDUIT HOT(EM): BLUE
0-10V(+): PURPLE
0-10V(-): Grey



WARNING: Ground fixture in accordance with local and national electrical codes. Failure to do so may result in serious personal injury.