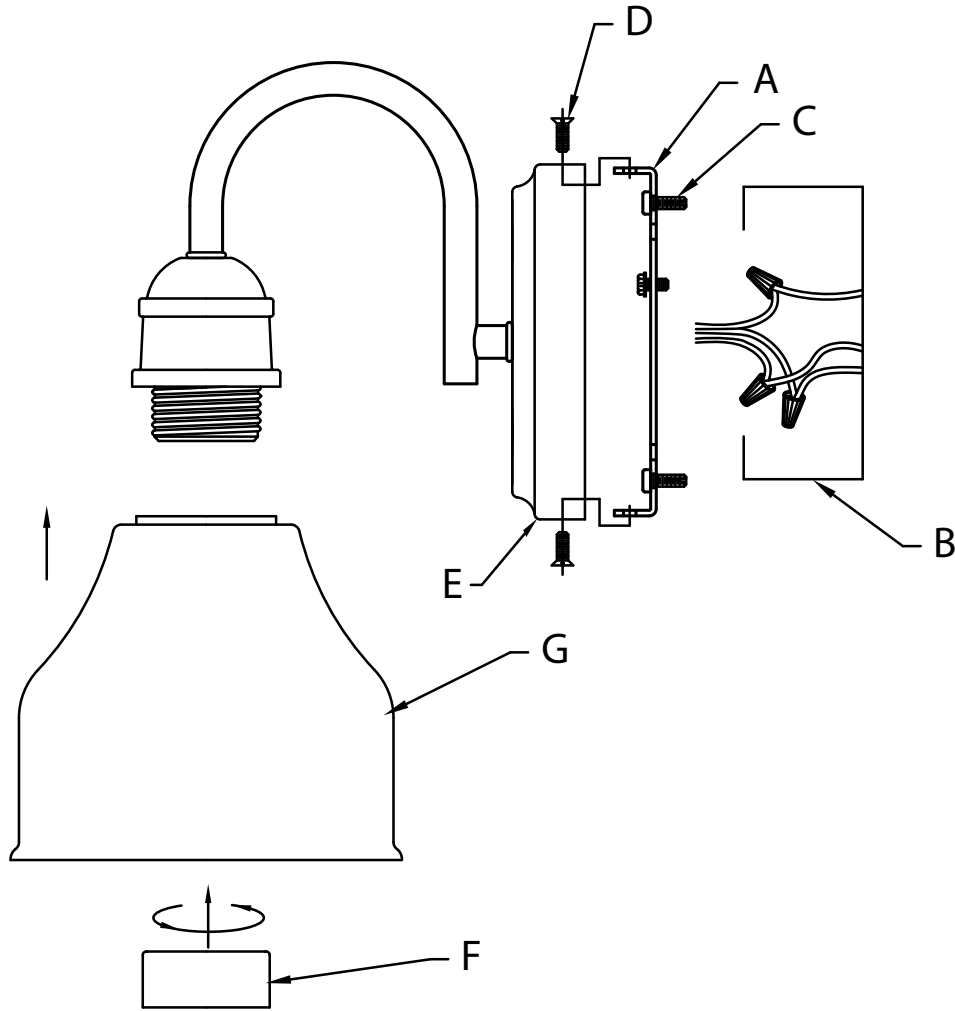


Fixture Diagram



Parts List

- [A] Mounting Strap [D] Mounting Screws [F] Socket Ring
- [B] Outlet Box [E] Canopy [G] Glass
- [C] Strap Mounting Screws

Cautions

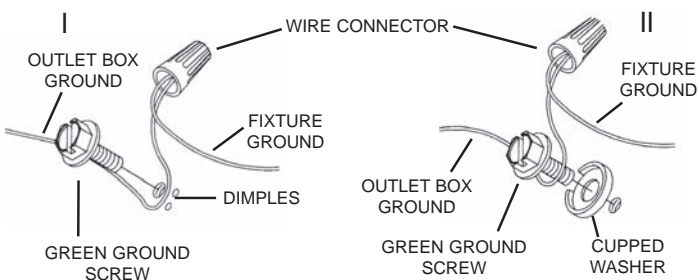
CAUTION – RISK OF SHOCK – Disconnect Power at the main circuit breaker panel or main fusebox before starting and during the installation.

Warning:
This fixture is intended for installation in accordance with the National Electrical Code (NEC) and all local code specifications. If you are not familiar with code requirements, installation by a certified electrician is recommended.

Installation Instructions

- 1) Attach mounting strap[A] to outlet box[B] using the two (2) strap mounting screws[C]. The mounting strap can be adjusted to suit position of fixture.
- 2) Grounding instructions: (See Illus. I or II).
 - a) On fixtures where mounting strap is provided with a hole and two raised dimples. Wrap ground wire from outlet box around green ground screw, and thread into hole.
 - b) On fixtures where a cupped washer is provided. Attach ground wire from outlet box under cupped washer and green ground screw, and thread into mounting strap.

If fixture is provided with ground wire. Connect fixture ground wire to outlet box ground wire with wire connector (not provided) after following the above steps. Never connect ground wire to black or white power supply wires.

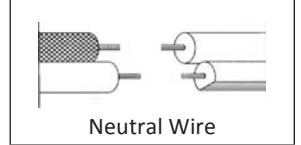


Installation Instructions (continued)

- 3) Make wire connections. Reference chart below for correct connections and wire accordingly.

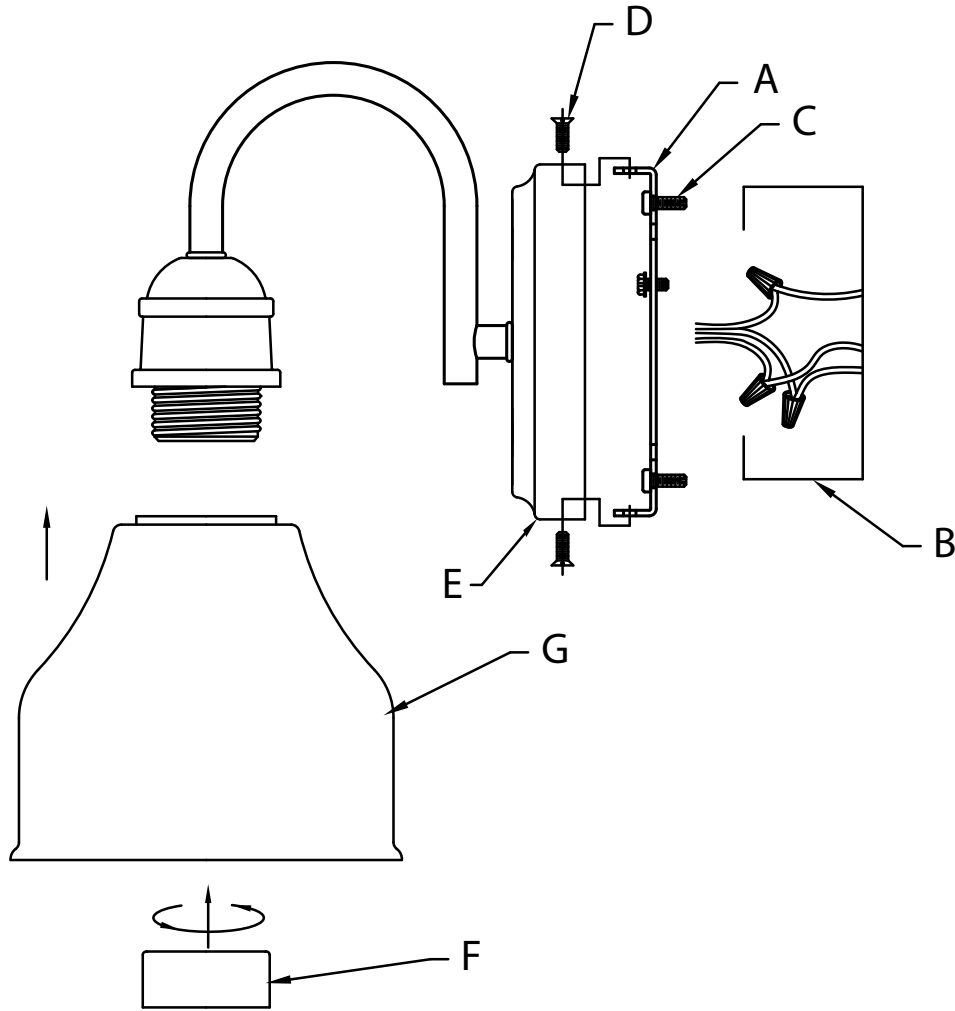
Connect Black or Red Supply Wire to:	Connect White Supply Wire to:
Black	White
*Parallel cord (round & smooth)	*Parallel cord (square & ridged)
Clear, Brown, Gold or Black without Tracer	Clear, Brown, Gold or Black with Tracer
Insulated wire (other than green) with copper conductor	Insulated wire (other than green) with silver conductor

*Note: When parallel wire (SPT 1 & SPT 2) are used. The neutral wire is square shaped or ridged and the other wire will be round in shape or smooth (see illus.)



- 4) Push fixture to wall. Be sure not to pinch wires between wall and canopy of fixture. **Note:** fixture can be mounted with the glass in the up or down position.
- 5) Screw in two (2) mounting screws[D]: one on top of canopy[E] and the other into the bottom of canopy.
- 6) Carefully raise glass to the fixture. Slip the smaller opening over the socket and fit the glass[G] against the socket cover.
- 7) Thread socket ring[F] onto socket. Tighten socket ring to secure glass in place. (DO NOT over tighten.)
- 8) Repeat for remaining sockets (if necessary).
- 9) Insert recommended bulb(s) (not supplied).

Diagrama de Accesorios



Lista de Partes

- | | | |
|----------------------------------|---------------------------------|---------------------------------|
| [A] Abrazadera de Montaje | De La Abrazadera | [F] Anillo del Casquillo |
| [B] Caja de Salida | [D] Tornillos de Montaje | [G] Cristal |
| [C] Tornillo De Montaje | [E] Marquesina | |

Precauciones

PRECAUCIÓN – RIESGO DE DESCARGA ELÉCTRICA – Desconecte la electricidad en el panel principal del interruptor automático o caja principal de fusibles antes de comenzar y durante la instalación.

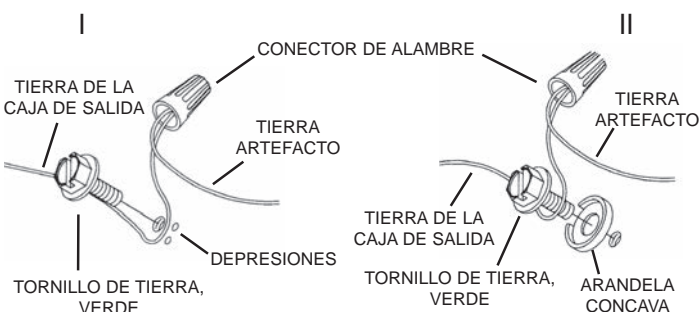
ADVERTENCIA:

Este accesorio está destinado a la instalación de acuerdo con el National Electrical Code (NEC) y todas las especificaciones del código local. Si no está familiarizado con los requisitos del código, la instalación se recomienda un electricista certificado.

Instrucciones de Instalación

- Una la correa de montaje **[A]** a la caja de salida **[B]** usando los dos (2) tornillos de montaje de la abrazadera **[C]**. La abrazadera de montaje puede ajustarse para adaptarse a la posición del accesorio.
- Instrucciones de conexión a tierra solamente para los Estados Unidos. (Vea la ilustración I o II).
 - En las lámparas que tienen el fleje, de montaje con un agujero y dos hoyuelos realzados. Enrollar el alambre a tierra de la caja tomacorriente alrededor del tornillo verde y pasarlo por el agujero.
 - En las lámparas con una arandela acopada. Fijar el alambre a tierra de la caja tomacorriente del ajo de la arandela acuada y tornillo verde, y pasar por el fleje de montaje.

Si la lámpara viene con alambre a tierra. Conectar el alambre a tierra de la lámpara al alambre a tierra de la caja tomacorriente con un conector de alambres (no incluido) después de seguir los pasos anteriores. Nunca conectar el alambra a tierra a los alambres eléctricos negro o blanco.

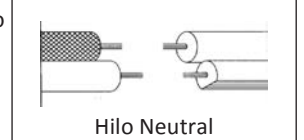


Instrucciones de instalación (continuación)

- Haga las conexiones de los alambres (no se proveen los conectores). La tabla de referencia de abajo indica las conexiones correctas y los alambres correspondientes.

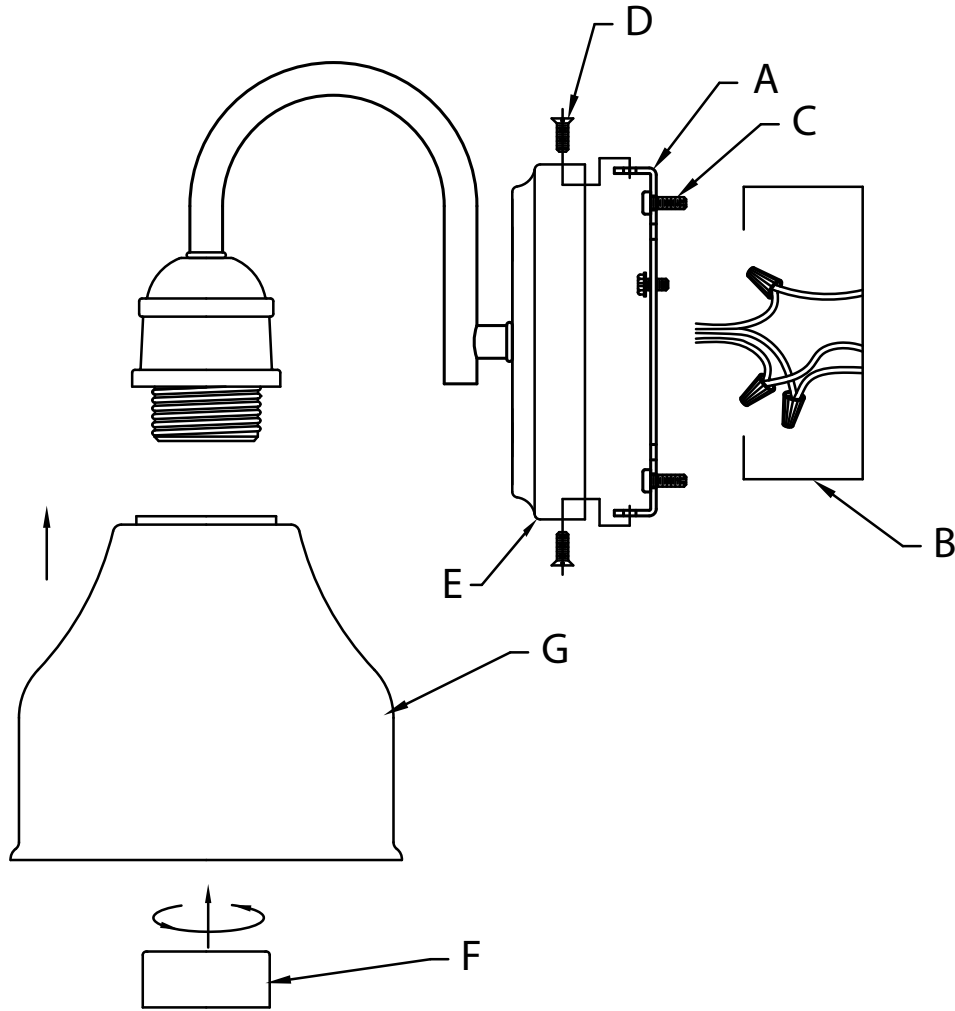
Conectar el alambre de suministro negro o rojo al	Conectar el alambre de suministro blanco al
Negro	Blanco
*Cordon paralelo (redondo y liso)	*Cordon paralelo (cuadrado y estriado)
Claro, marrón, amarillo o negro sin hebra identificadora	Claro, marrón, amarillo o negro con hebra identificadora
Alambre aislado (diferente del verde) con conductor de cobre	Alambre aislado (diferente del verde) con conductor de plata

*Nota: Cuando se utiliza alambre paralelo (SPT 1 y SPT 2). El alambre neutro es de forma cuadrada o estriada y el otro alambre será de forma redonda o lisa. (Vea la ilustración).



- Empuje el artefacto a la pared. Asegúrese de no pellizcar los alambres entre la pared y el escudete del artefacto.
- Atornille dos (2) tornillos de montaje **[D]**: uno encima de la marquesina **[E]** y el otro en la parte inferior de la cubierta.
- Levantar cuidadosamente el cristal **[G]** al aparato. Deslice la abertura más pequeña sobre el casquillo y ajuste el vidrio contra el zócalo.
- Enrosque el anillo del casquillo **[F]** en el casquillo. Apriete el anillo de socket para asegurar el vidrio en su lugar. (NO apriete demasiado)
- Repita para las tomas restantes (si es necesario).
- Inserte la bombilla recomendada (no suministrada).

Fixture Diagram



Parts List

- [A] Mounting Strap [D] Mounting Screws [F] Socket Ring
- [B] Outlet Box [E] Canopy [G] Glass
- [C] Strap Mounting Screws

Cautions

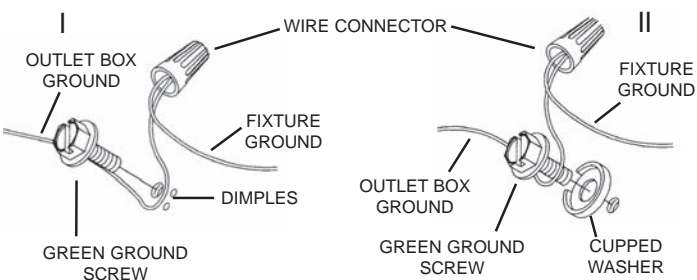
CAUTION – RISK OF SHOCK – Disconnect Power at the main circuit breaker panel or main fusebox before starting and during the installation.

Warning:
This fixture is intended for installation in accordance with the National Electrical Code (NEC) and all local code specifications. If you are not familiar with code requirements, installation by a certified electrician is recommended.

Installation Instructions

- 1) Attach mounting strap[A] to outlet box[B] using the two (2) strap mounting screws[C]. The mounting strap can be adjusted to suit position of fixture.
- 2) Grounding instructions: (See Illus. I or II).
 - a) On fixtures where mounting strap is provided with a hole and two raised dimples. Wrap ground wire from outlet box around green ground screw, and thread into hole.
 - b) On fixtures where a cupped washer is provided. Attach ground wire from outlet box under cupped washer and green ground screw, and thread into mounting strap.

If fixture is provided with ground wire. Connect fixture ground wire to outlet box ground wire with wire connector (not provided.) after following the above steps. Never connect ground wire to black or white power supply wires.

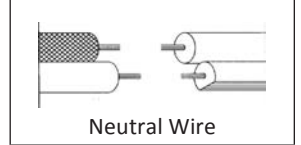


Installation Instructions (continued)

- 3) Make wire connections. Reference chart below for correct connections and wire accordingly.

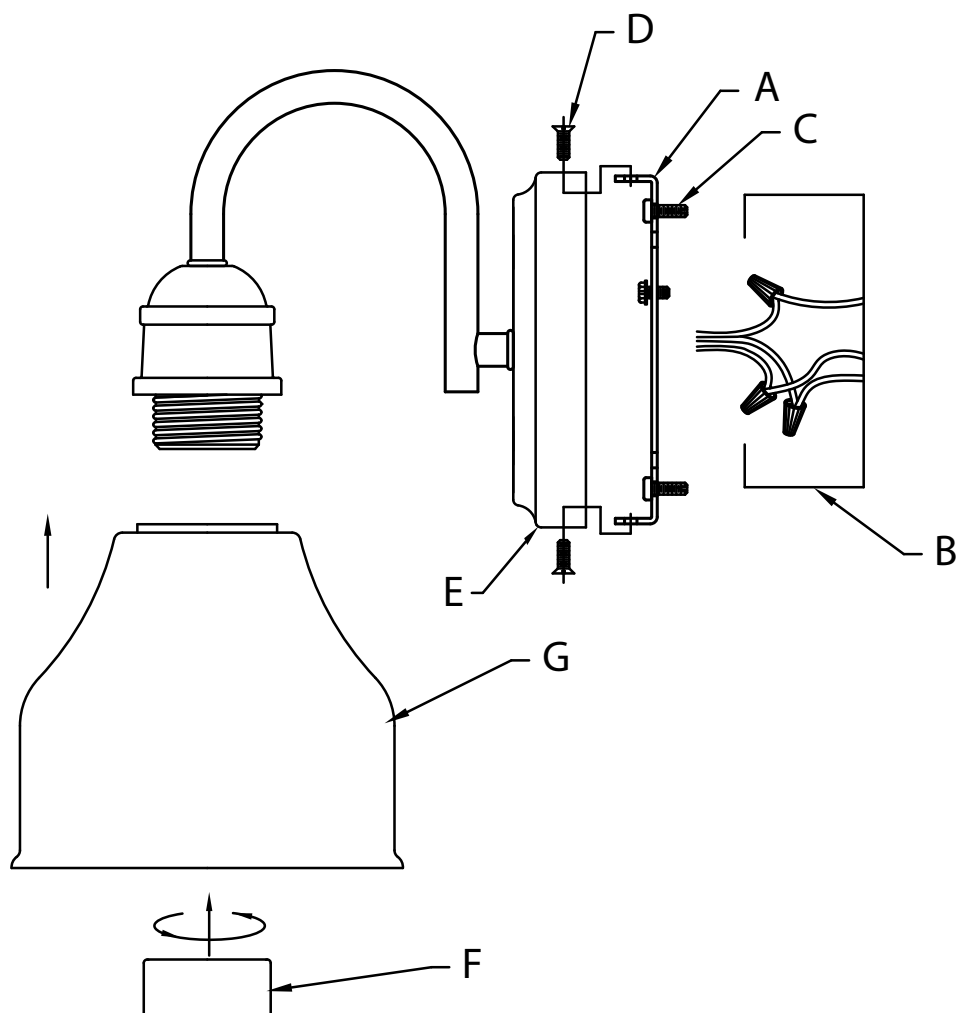
Connect Black or Red Supply Wire to:	Connect White Supply Wire to:
Black	White
*Parallel cord (round & smooth)	*Parallel cord (square & ridged)
Clear, Brown, Gold or Black without Tracer	Clear, Brown, Gold or Black with Tracer
Insulated wire (other than green) with copper conductor	Insulated wire (other than green) with silver conductor

*Note: When parallel wire (SPT 1 & SPT 2) are used. The neutral wire is square shaped or ridged and the other wire will be round in shape or smooth (see illus.)



- 4) Push fixture to wall. Be sure not to pinch wires between wall and canopy of fixture. **Note:** fixture can be mounted with the glass in the up or down position.
- 5) Screw in two (2) mounting screws[D]: one on top of canopy[E] and the other into the bottom of canopy.
- 6) Carefully raise glass to the fixture. Slip the smaller opening over the socket and fit the glass[G] against the socket cover.
- 7) Thread socket ring[F] onto socket. Tighten socket ring to secure glass in place. (DO NOT over tighten.)
- 8) Repeat for remaining sockets (if necessary).
- 9) Insert recommended bulb(s). (Not supplied)

Diagramme d'appareils



Liste des Pièces

- | | | |
|-------------------------|------------------------------|-------------|
| [A] L'étrier de Montage | [C] Vis De Support De Sangle | [F] Douille |
| [B] Boîte à Prises | [D] Vis De Montage | [G] Verre |
| | [E] Canopée | |

Précautions

ATTENTION – RISQUE DE DÉCHARGES ÉLECTRIQUES - Couper le courant au niveau du panneau du disjoncteur du circuit principal ou de la boîte à fusibles principale avant de procéder à l'installation.

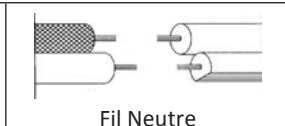
ATTENTION:
Ce luminaire doit être installé conformément aux codes d'électricité nationaux (NEC) et satisfaire toutes les spécifications des codes locaux. Si vous ne connaissez pas les exigences de ces codes, il est recommandé de confier l'installation à un électricien certifié.

Instructions d'installation

- Fixez la courroie de montage [A] à la boîte de sortie [B] à l'aide des deux (2) vis de fixation de la courroie [C]. La sangle de montage peut être ajustée en fonction de la position du luminaire.
- Connecter les fils. Se reporter au tableau ci-dessous pour faire les connexions.

Connecter le fil noir ou rouge de la boîte	Connecter le fil blanc de la boîte
A Noir	A Blanc
*Au cordon parallèle (rond et lisse)	*Au cordon parallèle (à angles droits et strié)
Au transparent, doré, marron, ou noir sans fil distinctif	Au transparent, doré, marron, ou noir avec un fil distinctif
Fil isolé (sauf fil vert) avec conducteur en cuivre	Fil isolé (sauf fil vert) avec conducteur en argent

*Remarque: Avec emploi d'un fil parallèle (SPT 1 et SPT 22). Le fil neutre est à angles droits ou strié et l'autre fil doit être rond ou lisse (Voir le schéma).



Instructions d'installation (a continué)

- Pousser le luminaire vers le mur. Ne pas pincer les fils entre le mur et le cache du luminaire. **Remarque:** le luminaire peut être monté avec le verre en position haute ou basse.
- Vissez dans deux (2) vis de fixation [D]: une au dessus de la canopée [E] et l'autre au bas de la canopée.
- Élever soigneusement le verre [G] à l'appareil. Glissez l'ouverture plus petite sur la douille et ajustez le verre contre la prise.
- Enfler la douille [F] sur la prise. Serrer les anneaux de prise pour fixer le verre en place. (Ne pas trop serrer.)
- Répétez l'opération pour les prises restantes (si nécessaire).
- Installer la ou les ampoules recommandées (non fournies).