

# WAC LIGHTING

Fixture Type: \_\_\_\_\_

Catalog Number: \_\_\_\_\_

Project: \_\_\_\_\_

Location: \_\_\_\_\_

## Camelot

### Wall Sconce 3000K

Model & Size	Color Temp & CRI	Finish	Watt	LED Lumens	Delivered Lumens
WS-61216 16"	3000K 90	AB Aged Brass BK Black	10W	850	428

Example: **WS-61216-BK**

For custom requests please contact [customs@wacighting.com](mailto:customs@wacighting.com)

#### FEATURES

- Edge-lit LED illumination
- Conversion plate included to accommodate 4" junction box
- Driver concealed within the canopy
- 5 Year warranty

#### SPECIFICATIONS

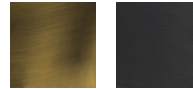
Color Temp:	3000K
Input:	120 VAC, 50/60Hz
CRI:	90
Dimming:	ELV: 100-10% , TRIAC: 100-10%
Rated Life:	50000 Hours
Mounting:	Can be mounted on wall in all orientations
Standards:	ETL, cETL Damp Location Listed
Construction:	Iron body, etched acrylic diffuser

#### REPLACEMENT PARTS

HDW-LG22-WA - Hardware Pack



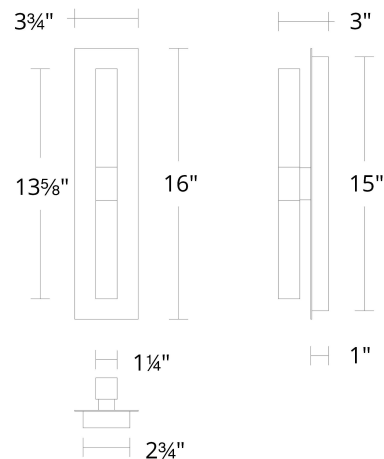
#### FINISHES:



Aged Brass

Black

#### LINE DRAWING:



WS-61216