

HINKLEY

# 60" DRAFTSMAN™

INDOOR / OUTDOOR LED FAN



WET



DC MOTOR



LED



WIFI



CEILING FAN INSTRUCTION MANUAL



HINKLEY

PAIR WITH HINKLEY APP  
DOWNLOAD ON APP STORE or GOOGLE PLAY

CUL Model No. 60-DRAT

## WE WANT YOU TO LOVE YOUR NEW FAN

SO WE'RE HERE IF YOU HAVE A QUESTION, NEED SOME HELP OR WANT TO CHAT ABOUT OUR PRODUCTS, SEND SUGGESTIONS OUR WAY TOO - WE'RE ALWAYS LOOKING TO MAKE YOUR EXPERIENCE WITH HINKLEY A POSITIVE ONE.

> [SERVICE@HINKLEY.COM](mailto:SERVICE@HINKLEY.COM)

> [800.HINKLEY](tel:800.HINKLEY)

> [LET'S SEE THAT HINKLEY STYLE @HINKLEY](#)

[#HINKLEYSTYLE](#)

---

This manual contains complete instructions for the installation and operation of this fan. It has been designed to make the installation process as easy as possible. If you are unfamiliar or uncomfortable with wiring, please contact a qualified electrician. If you need additional assistance or have any questions, please reach out to us.

---

For warranty information, visit [hinkley.com](http://hinkley.com).

## TABLE OF CONTENTS

02	GENERAL INSTALLATION & OPERATING INSTRUCTIONS	10	INSTALLING THE LIGHT KIT PAN
03	IMPORTANT SAFETY PRECAUTIONS	11	INSTALLING THE LED ASSEMBLY AND GLASS SHADE
03	TOOLS & MATERIALS REQUIRED	12	INSTALLING THE WALL CONTROL
04	UNPACKING YOUR FAN	14	OPERATION
05	PREPARATION	16	CARE AND CLEANING
05	INSTALLING THE HANGING BRACKET	16	TROUBLESHOOTING
06	HANGING THE FAN	17	ENERGY GUIDE
08	ELECTRICAL CONNECTIONS	17	SPECIFICATIONS
09	FINISHING THE INSTALLATION	18	HINKLEY APP / WIFI
10	INSTALLING THE BLADES		

### WARNING:

Read and follow these instructions carefully and be mindful of all warnings shown throughout.

## GENERAL INSTALLATION & OPERATION INSTRUCTIONS

- 1 To ensure the success of the installation, be sure to read the instructions and review the diagrams thoroughly before beginning.
- 2 To avoid possible electric shock, be sure electricity is turned off at the main power box before wiring. All electrical connections must be made in accordance with local codes, ordinances and/or the National Electric Code. If you are unfamiliar with the methods of installing electrical wiring and products, secure the services of a qualified and licensed electrician as well as someone who can check the strength of the supportive ceiling members and make the proper installation(s) and connections.
- 3 **WARNING:** To reduce the risk of fire, electric shock, or other personal injury, mount fan only on an outlet box or supporting system marked acceptable for fan support of 35 lbs (15.9 kg) or less and use mounting screws provided with the outlet box. Most outlet boxes commonly used for the support of lighting fixtures are not acceptable for fan support and may need to be replaced. Consult a qualified electrician if in doubt.
- 4 Make sure that your installation site will not allow rotating fan blades to come in contact with any object. Blades should be at least 7 feet from floor.
- 5 Blades should be attached after motor housing is hung and in place. Fan motor housing should be kept in the carton until ready to be installed to protect its finish. If you are installing more than one ceiling fan, make sure that you do not mix fan blade sets, as each blade is part of a weighted set.
- 6 After making electrical connections, spliced conductors should be turned upward and pushed carefully up into outlet box. The wires should be spread apart with the common conductor and the grounding conductor on one side of the outlet box, and the "HOT" wires on the other side.
- 7 Electrical diagrams are for reference only. Light kits that are not packed with the fan must be UL listed and should be installed per the light kit's installation instructions.
- 8 After fan is completely installed, check to make sure that all connections are secure to prevent fan from falling and/or causing damage or injury.
- 9 The fan can be made to work immediately after installation - the bearings are adequately charged with grease so that, under normal conditions, further lubrication should not be necessary for the life of the fan.
- 10 To operate the reverse function on this fan, press the reverse button while the fan is running.
- 11 **CAUTION:** Do not ingest battery - Chemical burn hazard. Keep new and used batteries away from children.
- 12 The remote control supplied with a coin/button cell battery. If the coin/button cell battery is swallowed, it can cause severe internal burns in just 2 hours and can lead to death.
- 13 If the battery compartment does not close securely, stop using the product and keep it away from children.
- 14 If you think batteries might have been swallowed or placed inside any part of the body, seek immediate medical attention.
- 15 **WARNING:** To reduce the risk of fire or electric shock, this fan should only be used with fan speed control part no. JY1126T manufactured by Satellite Electronic (Zhongshan) Ltd.
- 16 Note: Suitable for use in wet locations.

## IMPORTANT SAFETY PRECAUTIONS

### WARNINGS:

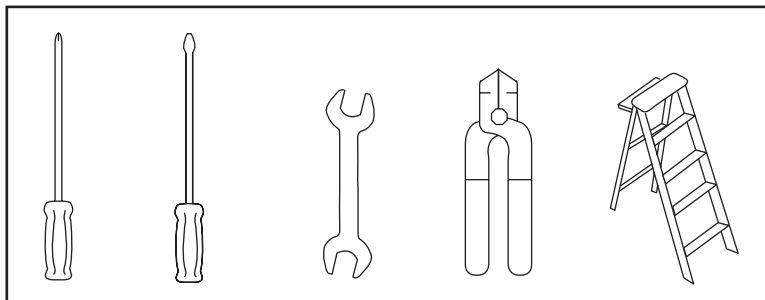
- Disconnect power by removing fuse or turning off circuit breaker before installing the fan and/or optional lighting.
- Support directly from building structure.
- To reduce the risk of fire, electric shock, or personal injury, mount to outlet box marked “acceptable for fan support” and use mounting screws provided with the outlet box. Most outlet boxes commonly used for the support of lighting fixtures are not acceptable for fan support and may need to be replaced. Consult a qualified electrician if in doubt.
- Do not use an incandescent light dimmer. Do not use this fan with any transformer type fan speed control device.
- To reduce the risk of personal injury, do not bend the blade arms when installing them, balancing the blades or cleaning the fan. Do not insert any objects(s) between rotating fan blades.

### NOTE:

The important precautions, safeguards and instructions appearing in this manual are not meant to cover all possible conditions and situations that may occur. It must be understood that common sense, caution and carefulness are factors which cannot be built into this product. These factors must be supplied by the person(s) installing, caring for and operating the unit.

## TOOLS & MATERIALS REQUIRED

- PHILLIPS SCREWDRIVER
- FLAT SCREWDRIVER
- WRENCH OR PLIERS
- WIRE CUTTERS
- STEP LADDER
- WIRING SUPPLIES AS REQUIRED BY ELECTRICAL CODE

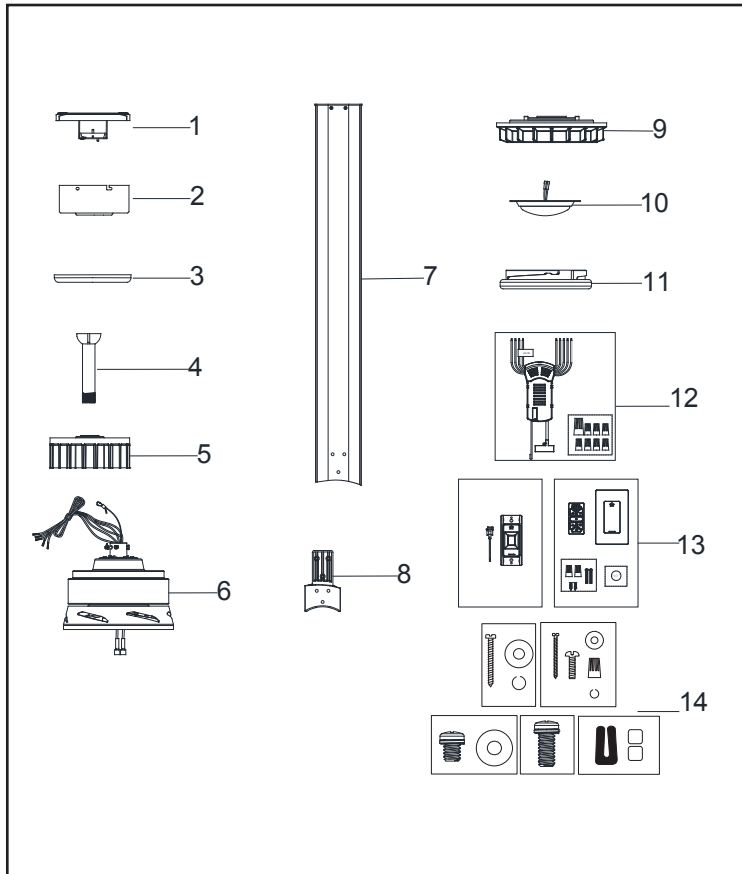


## UNPACKING YOUR FAN

### UNPACK YOUR FAN AND CHECK THE CONTENTS.

- Do not discard the carton. If warranty replacement or repair is ever necessary, the fan should be returned in original packing. Remove all parts and hardware. Do not lay motor housing on its side, or the decorative housing may shift, be bent or damaged.
- Examine all parts. You should have the following:

PACKAGE CONTENTS		
1	Hanging Bracket	CA904566FXX
2	Ceiling Canopy	
3	Trim Ring	
4	Downrod Assembly	DRK94016FXX
5	Yoke Cover	YC905360FXX
6	Fan Housing with Motor	
7	Blade Set of 6	BL905360FXX
8	Blade Arm Set of 6	BLI905360FXX
9	LK Pan	AP905360FXX
10	16W LED Module	E905360LED
11	Shade Assembly	GL905360FR
12	Receiver incl. Wire Nuts	CWT905360
13	Wall Control w/2032 Battery, Cradle A, Wall Plate, Face Plate, Mounting Screws, Cradle B (for flat wall use only)	980014FWH-R
14	Hardware Bag	MH905360
14	Hanging bracket hardware, Safety cable hardware, Blade screws, Spacers, Blade bracket screws, Blade balancing kit	
xx=FAN FINISH		



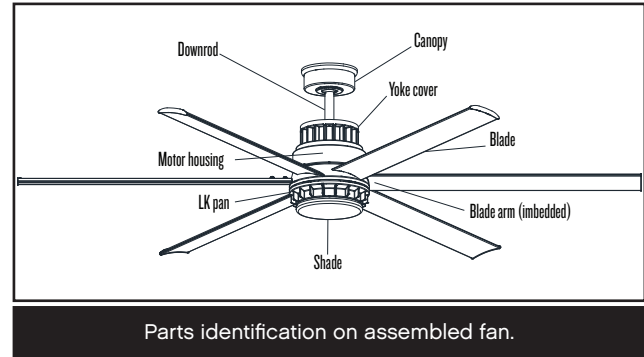
**NOTE:** Design of parts shown above may look slightly different for your specific model of fan

## PREPARATION

### PREPARATION:

Verify you have all parts before beginning the installation. Check pulp paper insert closely for missing parts. Remove motor from packing. To avoid damage to finish, assemble motor on soft padded surface or use the original pulp paper insert in motor box.

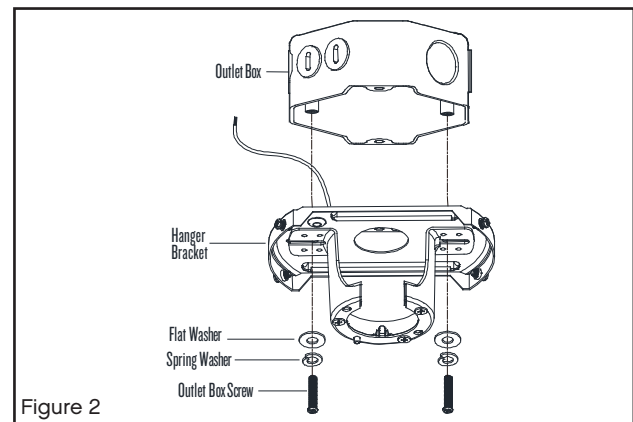
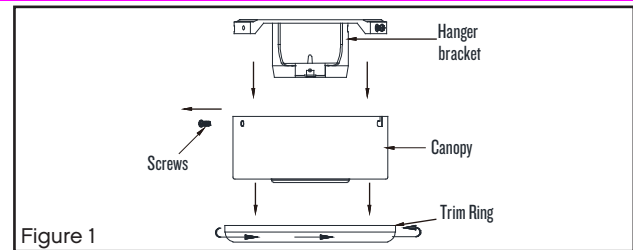
**DO NOT LAY MOTOR HOUSING ON ITS SIDE AS THIS COULD RESULT IN SHIFTING OF MOTOR IN DECORATIVE ENCLOSURE.**



## INSTALLING THE HANGING BRACKET

**CAUTION:** To avoid possible electrical shock, be sure electricity is turned off at the main power box before wiring. All wiring must be in accordance with National and Local Electrical Codes and the ceiling fan must be grounded as a precaution against possible electric shock.

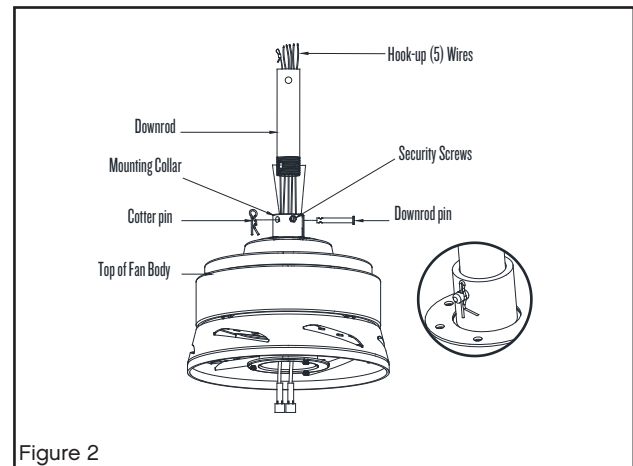
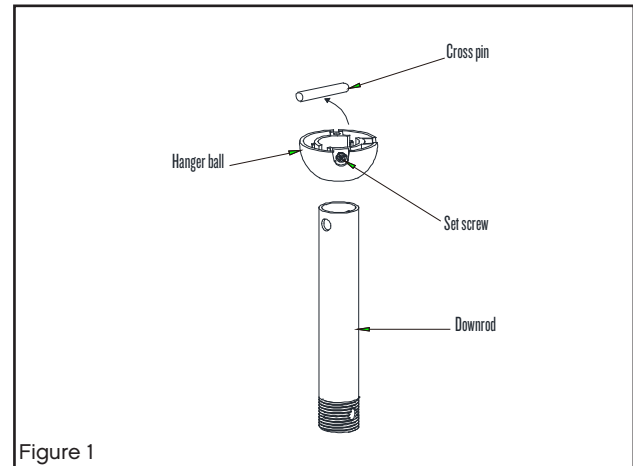
- 1 Locate ceiling joist where fan is to be mounted, being sure location agrees with the requirements in the minimum clearance section of this guide. Wood joists must be sound and of adequate size to support 35 pounds (See page 2, items 3 and 4).
- 2 If not already present, mount a UL listed outlet box marked “suitable for fan support” following the instructions provided with the outlet box. The outlet box must be able to support a minimum of 35 pounds.
- 3 Remove the canopy ring from the canopy by turning the ring counter-clockwise until it unlocks. Remove the mounting bracket from the canopy by loosening the four screws on the top of the canopy. Remove the two non-slotted screws and loosen the slotted screws. This will enable you to remove the mounting bracket.
- 4 Attach hanging bracket to outlet box using screws provided with the outlet box.



## HANGING THE FAN

**WARNING:** Make sure the cross pin is installed well on hanger ball with downrod.

- 1 Remove hanger ball from downrod by loosening set screw in the side of the hanger ball. Slide hanger ball down and remove cross pin. (Fig. 1)
- 2 Carefully support fan body (motor) in its packing with the mounting collar (where the wires come out) facing upward.
- 3 Loosen the security set screw and remove the downrod pin and cotter pin from the coupler on top of the motor assembly. (Fig. 2)
- 4 Carefully feed the electrical lead wires and safety cable from the fan through the downrod. Thread downrod into coupler until holes align. Insert downrod pin through holes in mounting collar and downrod; clip cotter pin through small hole in end of downrod pin to hold downrod in place.
- 5 Securely tighten set screw against downrod using a large flat-head screwdriver to ensure a tight fit against downrod. Tighten nuts against mounting collar.





## HANGING THE FAN (continued)

- 1 Slip the yoke cover, trim ring and canopy onto the downrod. (Fig. 3)
- 2 Slide the hanger ball onto the downrod, insert the cross pin through the downrod and tighten. Tighten the set screw.

**NOTE:**

Fan has 6 feet of hook-up wire in case you are using a long extension downrod.

- 3 Lift ball/downrod/fan into hanger bracket opening.

**NOTE:** The tab opposite hanger bracket opening should fit in slot on ball. (Fig. 4)

### INSTALLATION OF SAFETY CABLE SUPPORT:

Attach the wood screw and the flat washer to the ceiling joist as shown (do not fully tighten). Slide the cable clamp onto the safety cable from the fan. Loop the safety cable around the wood screw that was just attached to ceiling joist. Feed the end of the cable into the clamp and pull as much cable through as possible. Firmly tighten screw in the clamp. Cut off excess cable.

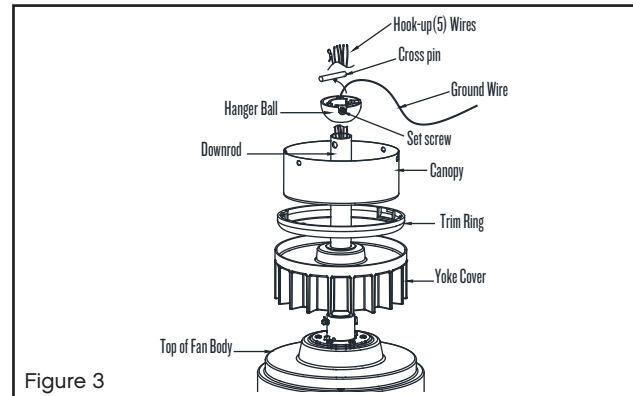


Figure 3

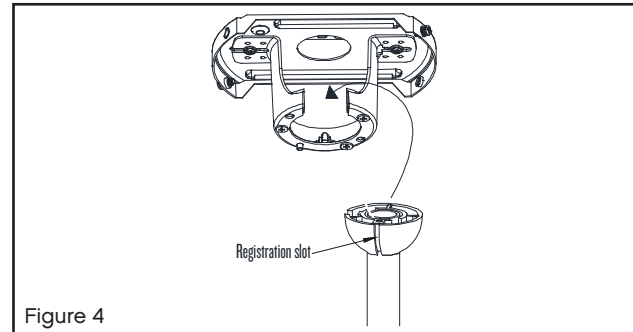


Figure 4

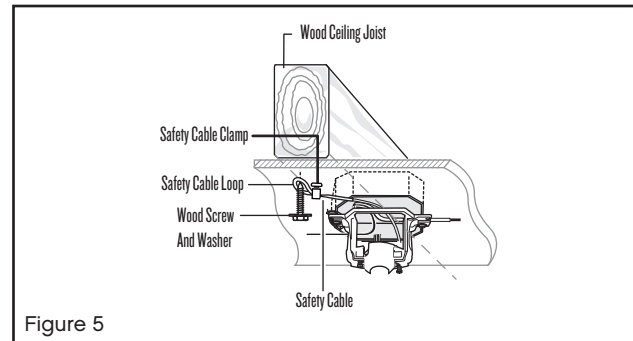


Figure 5

## ELECTRICAL CONNECTIONS

**REMEMBER** - Turn off the power!

**NOTE:** Control must be installed within 30 feet of fan.

**NOTE:** For optimal remote performance, keep the WiFi antenna separated from the receiver antenna.

**WARNING:** Check to see that all connections are tight, including ground, and that no bare wire is visible at the wire nuts, except for the ground wire.

**CAUTION:** To reduce the risk of electric shock, this fan must be installed with an isolating wall control/switch.

- 1 Insert the receiver into the ceiling mounting bracket with the flat side of the receiver facing the ceiling. (Fig. 1) For best performance, make sure the black antenna and WiFi antenna, on the end of the receiver, remains extended and not tangled with any of the electrical wires. Place the WiFi antenna on the outside of the canopy and stick/fix it on the ceiling.
- 2 Make wire connections from the fan to the receiver unit. For this step use the bundle of 5 wires on the receiver. (Fig. 3)  
  
Connect the BROWN fan wire to the BROWN receiver wire.  
Connect the GRAY fan wire to the GRAY receiver wire.  
Connect the ORANGE fan neutral wire to the ORANGE receiver neutral wire.  
Connect the WHITE fan neutral wire to the WHITE receiver neutral wire.  
Connect the BLUE fan neutral wire to the BLUE receiver neutral wire.
- 3 Connect the wiring from the ceiling to the receiver unit. (Use the 2 wire bundle on the receiver.) Secure with supplied wire nuts.  
  
Connect the BLACK building supply wire to the BLACK receiver wire.  
Connect the WHITE receiver neutral wire to the WHITE building neutral wire.  
Connect the COPPER building ground wire to the 4 YELLOW/  
GREEN ground wires from the fan and receiver.

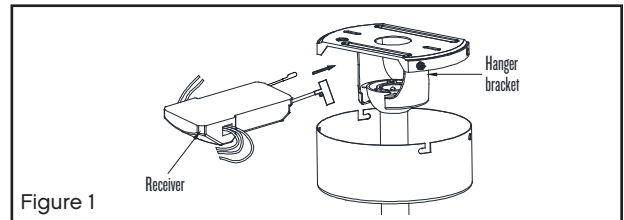


Figure 1

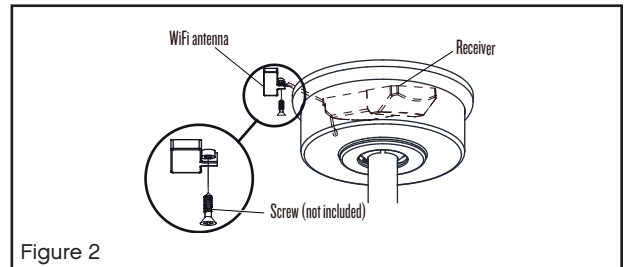


Figure 2

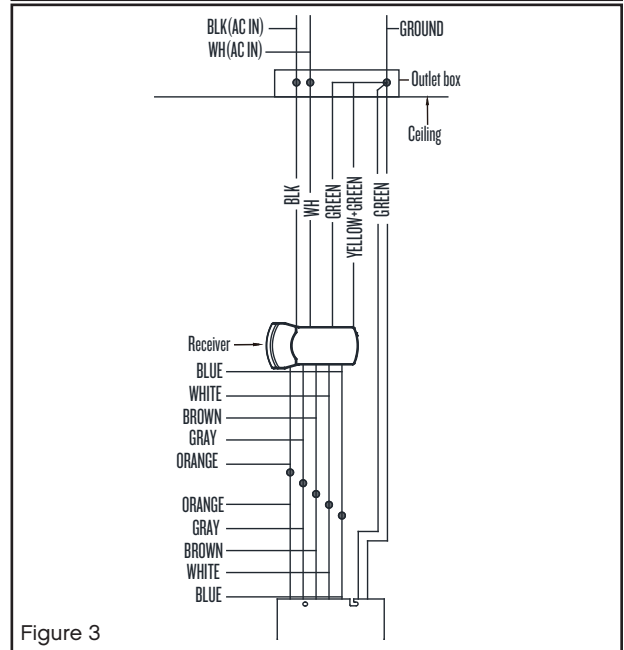
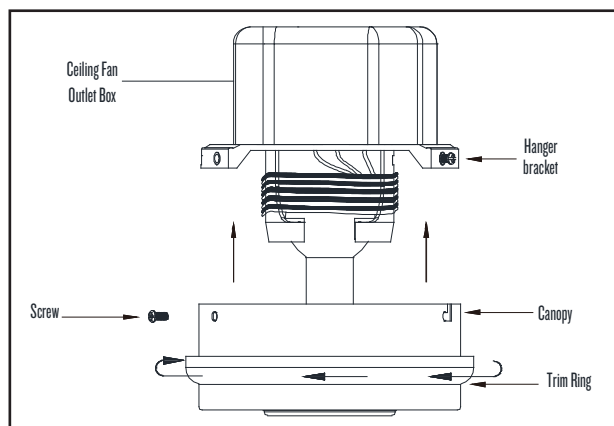


Figure 3

## FINISHING THE INSTALLATION

- 1 Align the locking slots of the ceiling canopy with the two screws in the mounting plate. Push up to engage the slots and turn clockwise to lock in place. Immediately tighten the two mounting screws firmly.
- 2 Install the remaining two mounting screws into the holes in the canopy and tighten firmly.
- 3 Install the trim ring by aligning the ring's slots with the screws in the canopy. Rotate the trim ring clockwise to lock in place.



### WARNING:

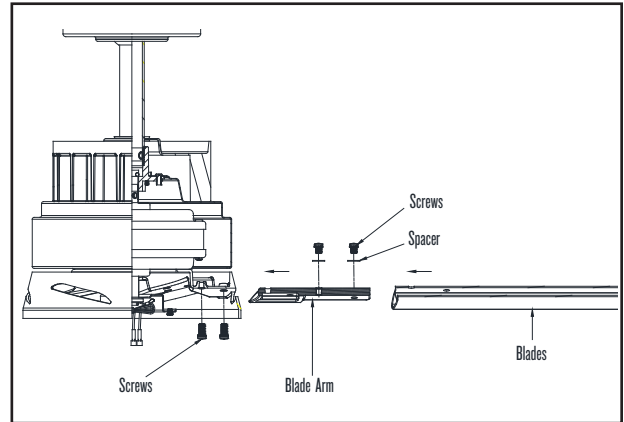
Make sure the hook on the hanging bracket properly sits in the groove in the hanger ball before attaching the canopy to the bracket by turning the housing until it drops into place.

## INSTALLING THE BLADES

### NOTE:

Remove any rubber supports that are installed for shipping.

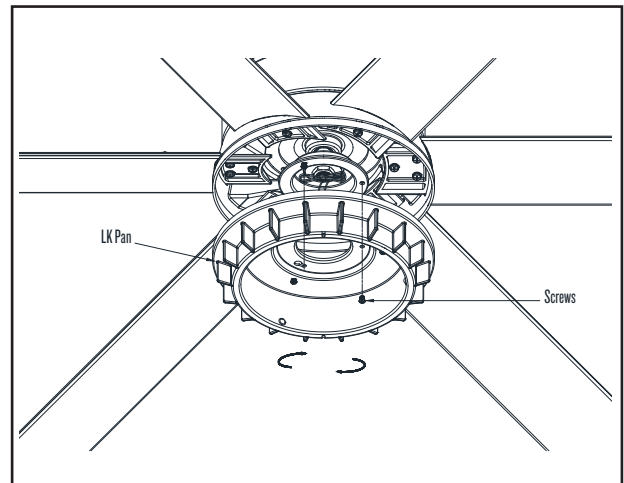
- 1 Install the blade to blade bracket by using the screws and spacers provided .
- 2 Tighten each screw securely.
- 3 Install the blade assembly to motor by inserting the blade bracket into the slot of the flywheel, aligning the holes on blade bracket with the holes on the flywheel, install the blade bracket with screws provided. Tighten screw securely.
- 4 Repeat steps 1,2 & 3 for the remaining blades.



## INSTALLING THE LIGHT KIT PAN

**CAUTION:** To reduce the risk of electrical shock, disconnect the electrical supply circuit to the fan before installing the light kit.

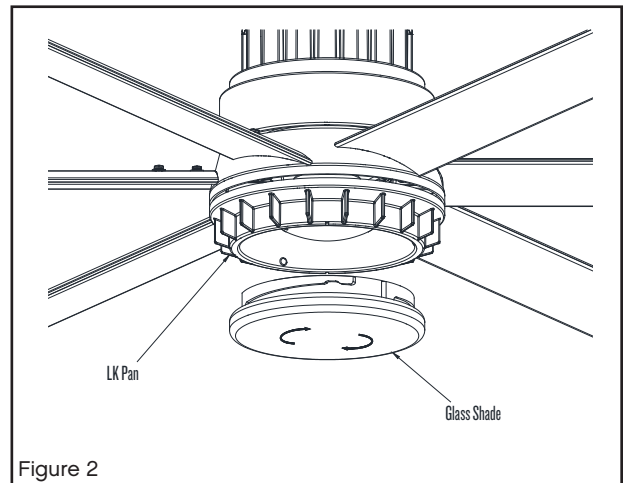
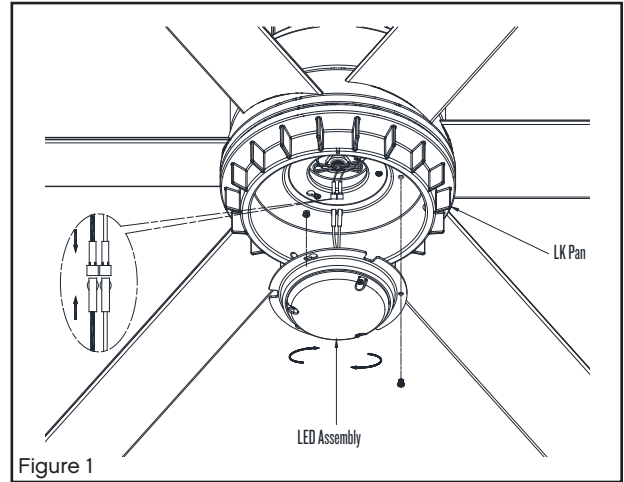
- 1 Loosen but do not remove two of three mounting screws from the fan motor assembly; Remove one mounting screw.
- 2 Push the light kit pan up to the fan motor assembly so that the two loosened screw heads fit into the keyhole slots. Turn the light kit pan clockwise, tightened the screws. Re-install the screw that was removed in step 1 and tighten firmly.



## INSTALLING THE LED ASSEMBLY AND GLASS SHADE

**CAUTION:** To reduce the risk of electrical shock, disconnect the electrical supply circuit to the fan before installing the light kit.

- 1 Remove one screw from the light kit pan and loosen, but do not remove the other two screws. Connect the wires from the light kit fitter assembly to the wires from the fan motor assembly by connecting the molded adaptor plugs together. Carefully tuck all wires and splices into the switch cap.
- 2 Push the light kit assembly up so that the two loosened screw heads fit into the keyhole slots. Turn the light kit assembly clockwise, tighten the screws. Reinstall the screw that was removed in step 1 and tighten firmly.
- 3 Place the glass shade into the light kit pan, aligning the three flat areas on the top of the glass shade with the three raised dimples in the light kit pan. Turn the glass shade clockwise until it stops.



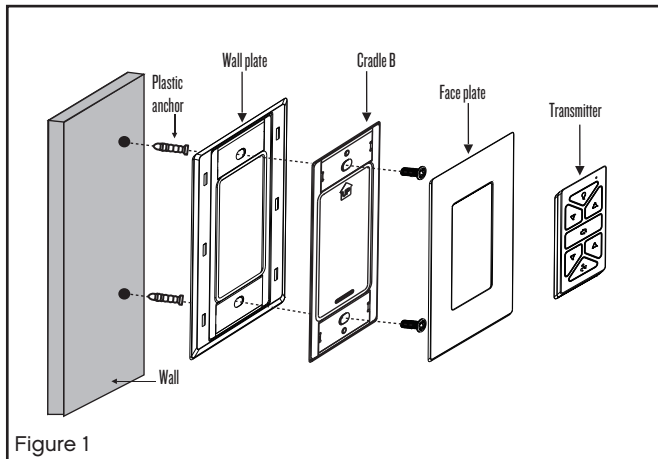
## INSTALLING THE WALL CONTROL

**REMEMBER** to turn off the power before you begin.

**NOTE:** 1. Control must be installed within 30 feet of fan.  
2. Secures to any surface or application: flat wall, single gang box, multi gang box.

### Option 1. Flat Surface Installation

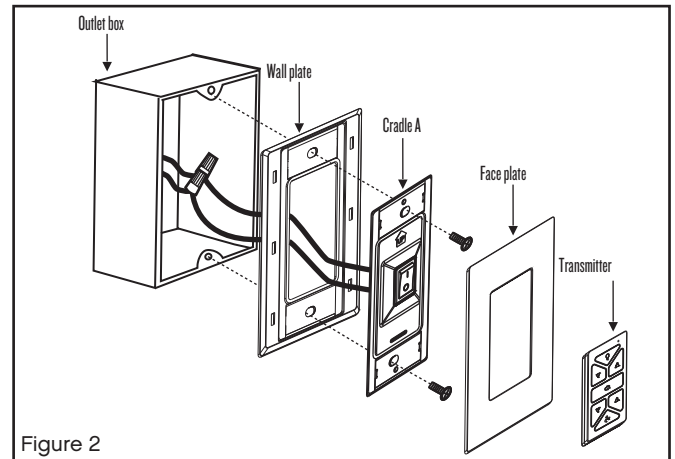
- 1 Select a desired location. Use the wall plate to mark the location of the mounting holes. Plastic wall anchors or mounting screws are needed for this application. (Fig. 1)
- 2 Seat the cradle B into the wall plate. Secure the wall plate to the wall using the provided hardware.
- 3 Snap the face plate cover onto the wall bracket.
- 4 Remote transmitter will be held in place with built in magnets.



**HIRO** HIRO Control System

### Option 2. For Single Gang Box

- 1 Remove the existing wall plate and the old switch from the wall outlet box.
- 2 Seat the cradle A into the wall plate. (Fig. 2)
- 3 Connect the black lead wires from the switch in the cradle A to the black wires in the switch box. Hot input wire to one of the cradle A switch leads. Power lead to the fan is connected to the remaining switch lead.
- 4 Connect the wall plate / cradle A assembly to the wall outlet box using the supplied hardware.
- 5 Snap the face plate cover onto the wall bracket.
- 6 Remote transmitter will be held in place with built in magnets.



## INSTALLING THE WALL CONTROL (continued)

### Option 3. For Multi-Gang Wall Switch Box

- 1 Remove the existing wall plate and old switch from the wall outlet box. (Fig. 3)
- 2 Connect the black lead wires from the switch in cradle A to the black wires in the switch box. Hot input wire to one of the cradle switch leads. Power lead to the fan is connected to the remaining switch lead. (Fig. 4)
- 3 Attach cradle A to the wall switch box using supplied hardware.
- 4 Attach the multi-gang face plate (not included) to the switch set in the wall outlet box. Cradle A Hinkley switch will fit in any standard decora face plate.

**NOTE:** Remote transmitter will be held in place with built in magnets.

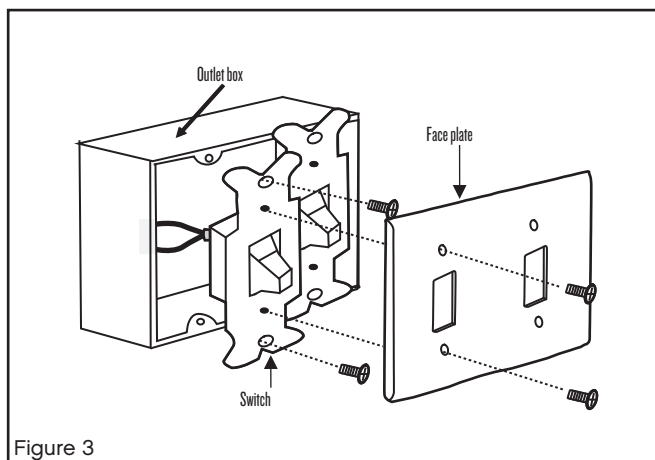


Figure 3

## HIRO HIRO Control System

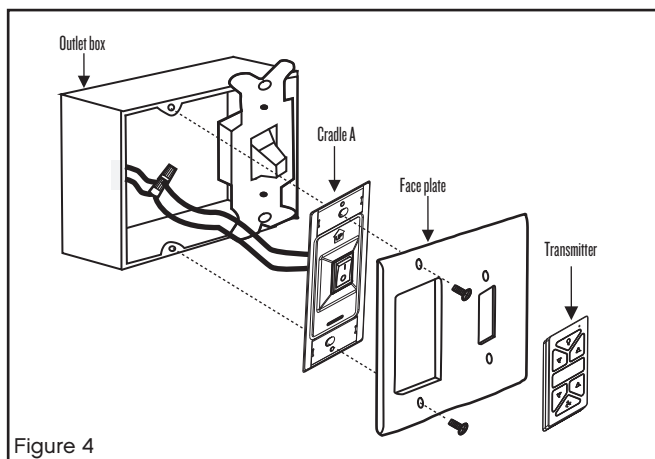



Figure 4

## OPERATION







Your DC brushless motor is equipped with an automatically learned type remote control. There is no frequency switches on the receiver or transmitter. The fan can start to use once the pairing process is done.

Remove the panel from the transmitter and then install one 2032 battery (included). You need to use a coin to open or close the battery cover. To prevent damage to transmitter, remove the battery if not use for long periods of time (Fig. 1)

 **WARNING:** Chemical Burn Hazard. Keep batteries away from children.


This product contains a lithium button/coin cell battery. If a new or used lithium button/coin cell battery is swallowed or enters the body, it can cause severe internal burns and can lead to death in as little as 2 hours. Always completely secure the battery compartment. If the battery compartment does not close securely, stop using the product, remove the batteries, and keep it away from children. IF you think batteries might have been swallowed or placed inside any part of the body, seek immediate medical attention.

The batteries shall be disposed of properly, including keeping them away from children; Even used cells may cause injury.

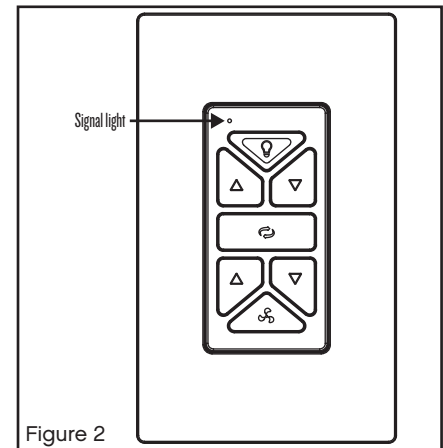
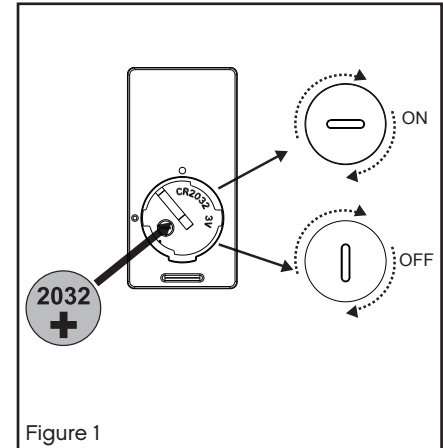
-  button:  
Press this button and release instantly to turn on or off the light.
-  button:  
Press and hold to dim or brighten lights to the desired level and release.
-  button:  
Press this button to set fan wind direction up or down.
-  button:  
Press button for turn on and setting 1-6 fan speed.
-  button:  
Press this button to turn the fan on/off.
-  Signal light (Fig. 2)

### Pairing Process

**NOTE:** If installing/pairing more than one fan in an area, the power must be disconnected from all fans except the one fan being paired.

With the fan's power off, restore power to the fan. Press and hold “” button for about 5 seconds and release. If optional light kit is installed, the light kit will flash three times and the motor spin up for 10 seconds on low speed. The fan has completed the pairing process with the wall control and is ready for use.

**NOTE:** A single fan can be controlled with as many as 3 wall controls in one room. Every control will need to repeat the pairing process based on instructions above and all controls must be within 30 feet of the fan.



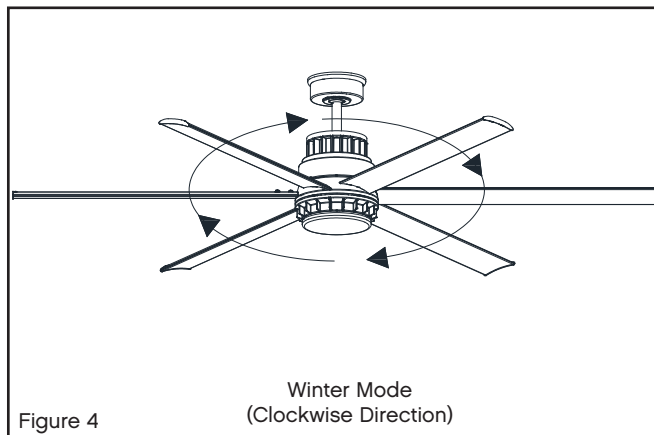
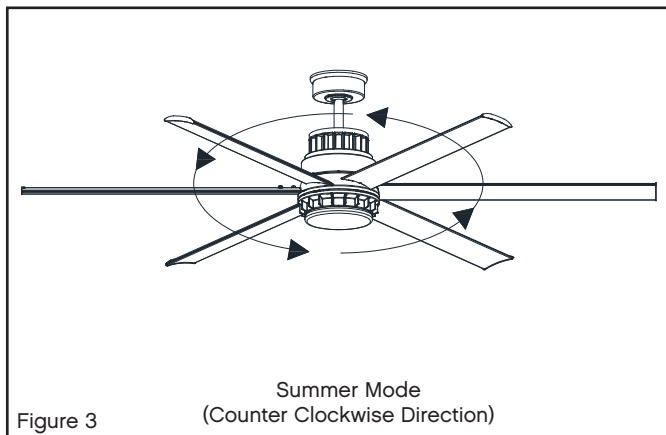
 **HIRO Control System**



## OPERATION (continued)

### Summer Mode and Winter Mode Operation

- 1 IMPORTANT:** To operate the reverse function on this fan, press the reverse button while the fan is running.
- 2 Summer Mode (forward):**  
A DOWNWARD airflow creates a cooling effect as shown in Figure 3. This allows you to set your air conditioner on a warmer setting without affecting your comfort.
- 3 Winter Mode (Reverse):**  
An UPWARD airflow moves warmer air off the ceiling area as shown in Figure 4. This allows you to set your heating unit on a cooler setting without affecting your comfort.



## CARE AND CLEANING

Periodically it may be necessary to re-tighten blade to blade arm screws or blade arm to motor screws to prevent clicking or humming sound during operation. This is especially true in climates with broad temperature and humidity ranges.

When dusting the blades, you must support the blade to prevent bending - no pressure should be applied to the blades. If you experience any flaws in the operation of your fan, please check the following points.

## TROUBLESHOOTING

### CAUTION:

Switch off power supply before carrying out any of these checks.

### PROBLEM

#### Fan Will Not Start

1. Check main and branch circuit breakers and/or fuses.
2. Check line wire connections to fan housing wiring. Make sure forward/reverse switch is set to one or the other position, not stuck in between.
3. Check to make sure the dip switches from the transmitter and receiver are set to the same frequency.

#### Fan Sounds Noisy

1. Check and make sure that all screws in motor housing are snug (but not over tight).
2. Check that the screws securing blade arms to the motor are tight.
3. Check that wire connectors in switch housing are not rattling against each other or the interior wall of the switch housing.
4. Check that all glassware is finger tight and that bulb(s) are well held in the sockets, if a light kit is used.
5. Check that the canopy is firmly attached to hanging bracket and not vibrating against ceiling.

#### Fan Wobbles

1. Check that all blades are firmly screwed into blade arms. Check that all blade arms are firmly secure to the motor.
2. Check to make sure that light kit (if present) is firmly attached to switch housing and that all glassware and shades are fastened properly. Wobble can also result from even the smallest deviations in distance from blade tip to blade tip.
3. If measurements from blade tip to blade tip are not equal, loosen screws connecting blade to blade arm one at a time and adjust blade(s) so that distances are equal.
4. Interchanging adjacent blades may redistribute mass and result in smoother operation. Blade arms can be bent slightly to restore same pitch to all blades if a blade is different than the other blades when viewed edge on.
5. Most wobble can be traced to a loose electrical box or mounting bracket. Make sure these are tight and the ball is completely seated in the bracket.
6. Use the enclosed Blade Balancing Kit if the blade wobble is still noticeable.

**WARNING:** To reduce the risk of personal injury, do not bend the blade arm while installing, balancing the blades, or cleaning the fan. Do not insert foreign objects between rotating fan blades.

#### Remote Control Malfunction.

1. Do not connect the fan with a wall mounted variable speed control(s).
2. Make sure the dip switches are set correctly.

## ENERGY GUIDE


## SPECIFICATIONS

### AVERAGE PERFORMANCE AND ENERGY INFORMATION

# ENERGYGUIDE

Estimated  
Yearly Energy Cost

## \$6



Cost Range of Similar Models (19" – 84")

- Based on 12 cents per kWh and 6.4 hours use per day
- **Your cost depends on rates and use**
- Energy Use: 23 Watts

Airflow

## 5,776

Cubic Feet Per Minute

- The higher the airflow, the more air the fan will move
- Airflow Efficiency: 250 Cubic Feet Per Minute Per Watt

All estimates based on typical use, excluding lights ftc.gov/energy

PERFORMANCE SPECIFICATIONS	STANDARD	
	HIGH SPEED	LOW SPEED
Airflow (CFM)	8389	2816
Energy Use (Watts)	32.95	3.88
Airflow Efficiency (CFM/W)	254.5	725.7
Energy Costs (Yearly)	\$6	
Amps	0.55	0.12
RPMs	143	50

## DOWNLOADING THE HINKLEY APP

### HINKLEY SMART FAN OPTIONS:

In addition to the included wall control, you can control your Hinkley fan through the Hinkley app.

- To use the Hinkley app, download it for free from the App Store or Google Play.
- Open the Hinkley app where you will be prompted to create an account.
- Enter all necessary information to create an account.
- After account is created you will receive a verification code email to finish setting up the Hinkley app (Check spam folder if email is not received).
- Confirm Bluetooth is enabled to allow the fan and Hinkley app to connect to each other.
- Click add a device on the home screen and select desired fan.
- The Hinkley app will then have you enter in WiFi name and password.
- Click done on the Hinkley app to complete connecting the fan.
- The Hinkley app will have options on the main screen for fan speeds, dimming and setting timers.
- Scan the QR code below for more information on the Hinkley app operation.



SCAN FOR ADDITIONAL DETAILS

HINKLEY IS PROUD TO PROVIDE YOU WITH CEILING FAN PRODUCTS THAT ENHANCE YOUR SPACE WITH COMFORT, PURPOSE AND STYLE. AS A FAMILY COMPANY, WE ARE COMMITTED TO DESIGN, PERFORMANCE AND QUALITY, AND WHAT'S IMPORTANT TO YOU IS PARAMOUNT TO US.

**FOR A COMPLETE ASSORTMENT OF OUR PRODUCTS AND SOURCE BOOKS, VISIT [HINKLEY.COM](http://HINKLEY.COM).**

# HINKLEY

GLOBAL HEADQUARTERS

33000 Pin Oak Parkway | Avon Lake, Ohio 44012

T (440) 653 5500 | F (440) 653 5555 | [hinkley.com](http://hinkley.com)

HINKLEY

# 60" DRAFTSMAN™

INDOOR / OUTDOOR LED FAN



WET



DC MOTOR



LED



WIFI



CEILING FAN INSTRUCTION MANUAL



HINKLEY

PAIR WITH HINKLEY APP  
DOWNLOAD ON APP STORE or GOOGLE PLAY

CUL Model No. 60-DRAT

## QUEREMOS QUE AMES A TU NUEVO VENTILADOR

ASÍ QUE ESTAMOS AQUÍ SI TIENE UNA PREGUNTA, NECESITA AYUDA O QUIERE HABLAR SOBRE NUESTROS PRODUCTOS. ENVÍE SUGERENCIAS NUESTRO CAMINO TAMBIÉN: SIEMPRE ESTAMOS BUSCANDO HACER QUE SU EXPERIENCIA CON HINKLEY SEA POSITIVA.

> **SERVICE@HINKLEY.COM**

> **800.HINKLEY**

> **VAMOS A ESE ESTILO**  
**HINKLEY@HINKLEY #HINKLESTYLE**

---

Este manual contiene instrucciones completas para la instalación y operación de este ventilador. Ha sido diseñado para hacer que el proceso de instalación sea lo más fácil posible. Si no está familiarizado o no se siente cómodo con el cableado, comuníquese con un electricista calificado. Si necesita asistencia adicional o tiene alguna pregunta, comuníquese con nosotros.

---

**Para obtener información sobre la garantía, visite [hinkley.com](http://hinkley.com).**



# TABLA DE CONTENIDO

<b>02</b>	INSTRUCCIONES GENERALES DE INSTALACIÓN Y FUNCIONAMIENTO	<b>10</b>	INSTALACIÓN DE LA BANDEJA DEL KIT DE LUCES
<b>03</b>	PRECAUCIONES DE SEGURIDAD IMPORTANTES	<b>11</b>	INSTALACIÓN DEL CONJUNTO DEL LED Y LA PANTALLA DE VIDRIO
<b>03</b>	HERRAMIENTAS Y MATERIALES REQUERIDOS	<b>12</b>	INSTALACIÓN DEL CONTROL DE PARED
<b>04</b>	DESEMBALAJE DE SU VENTILADOR	<b>14</b>	OPERACIÓN
<b>05</b>	PREPARACIÓN	<b>16</b>	CUIDADO Y LIMPIEZA
<b>05</b>	INSTALACIÓN DEL SOPORTE COLGANTE	<b>16</b>	SOLUCIÓN DE PROBLEMAS
<b>06</b>	CÓMO COLGAR EL VENTILADOR	<b>17</b>	GUÍA ENERGÉTICA
<b>08</b>	CONEXIONES ELÉCTRICAS	<b>17</b>	ESPECIFICACIONES
<b>09</b>	FINALIZANDO LA INSTALACIÓN	<b>18</b>	APLICACIÓN HINKLEY / WIFI
<b>10</b>	INSTALACIÓN DE LAS CUCHILLAS		

**ADVERTENCIA:**

Lea y siga estas instrucciones atentamente y tenga en cuenta todas las advertencias que se muestran a lo largo.

# INSTRUCCIONES GENERALES DE INSTALACIÓN Y FUNCIONAMIENTO

- 1 Para garantizar el éxito de la instalación, asegúrese de leer las instrucciones y revisar los diagramas detenidamente antes de comenzar.
- 2 Para evitar posibles descargas eléctricas, asegúrese de que la electricidad esté apagada en la caja de alimentación principal antes de realizar el cableado. Todas las conexiones eléctricas deben realizarse de acuerdo con los códigos y ordenanzas locales y/o el Código Eléctrico Nacional. Si no está familiarizado con los métodos de instalación de cableado y productos eléctricos, contrate los servicios de un electricista calificado y con licencia, así como de alguien que pueda verificar la resistencia de los miembros del techo de soporte y realizar las instalaciones y conexiones adecuadas.
- 3 **ADVERTENCIA:** Para reducir el riesgo de incendio, descarga eléctrica u otras lesiones personales, monte el ventilador solo en una caja de salida o sistema de soporte marcado como aceptable para soporte de ventilador de 35 lb (15,9 kg) o menos y use los tornillos de montaje provistos con la caja de salida. La mayoría de las cajas de salida comúnmente utilizadas para el soporte de los accesorios de iluminación no son aceptables para el soporte del ventilador y es posible que deban reemplazarse. Consulte a un electricista calificado si tiene dudas.
- 4 Asegúrese de que su sitio de instalación no permita que las aspas giratorias del ventilador entren en contacto con ningún objeto. Las hojas deben estar al menos a 7 pies del piso.
- 5 Las aspas deben colocarse después de que la carcasa del motor esté colgada y en su lugar. La carcasa del motor del ventilador debe guardarse en la caja hasta que esté lista para instalarse para proteger su acabado. Si está instalando más de un ventilador de techo, asegúrese de no mezclar los conjuntos de aspas del ventilador, ya que cada aspa es parte de un conjunto ponderado.
- 6 Después de hacer las conexiones eléctricas, los conductores empalmados deben girarse hacia arriba y empujarse con cuidado hacia la caja de salida. Los cables deben separarse con el conductor común y el conductor de puesta a tierra en un lado de la caja de salida, y los cables "VIVOS" en el otro lado. Los diagramas eléctricos son solo para referencia. Los juegos de luces que no están empacados con el ventilador deben estar listados por UL y deben instalarse según las instrucciones de instalación del juego de luces.
- 7 Una vez que el ventilador esté completamente instalado, verifique que todas las conexiones estén seguras para evitar que el ventilador se caiga y/o cause daños o lesiones.
- 8 Se puede hacer que el ventilador funcione inmediatamente después de la instalación: los cojinetes se cargan adecuadamente con grasa de modo que, en condiciones normales, no debería ser necesaria una lubricación adicional durante la vida útil del ventilador.
- 9 Para operar la función de retroceso en este ventilador, presione el botón de retroceso mientras el ventilador está funcionando.
- 10 **PRECAUCIÓN:** No ingiera la batería: peligro de quemadura química. Mantenga las baterías nuevas y usadas fuera del alcance de los niños.
- 12 El control remoto se suministra con una pila tipo moneda/botón. Si se traga la batería de tipo moneda/botón, puede causar quemaduras internas graves en solo 2 horas y puede provocar la muerte.
- 13 Si el compartimiento de la batería no cierra de forma segura, deje de usar el producto y manténgalo fuera del alcance de los niños.
- 14 Si cree que las pilas pueden haberse tragado o colocado dentro de cualquier parte del cuerpo, busque atención médica de inmediato.
- 15 **ADVERTENCIA:** Para reducir el riesgo de incendio o descarga eléctrica, este ventilador solo debe usarse con el control de velocidad del ventilador, pieza n. JY1126T fabricado por Satellite Electronic (Zhongshan) Ltd.
- 16 Nota: Apto para uso en lugares húmedos.

## PRECAUCIONES IMPORTANTES DE SEGURIDAD

### ADVERTENCIAS:

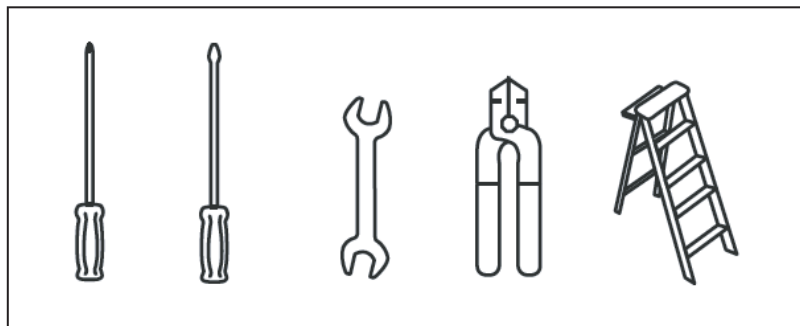
- Desconecte la energía quitando el fusible o apagando el interruptor de circuito antes de instalar el ventilador y / o la iluminación opcional.
- Apoyo directo desde la estructura del edificio.
- Para reducir el riesgo de incendio, descarga eléctrica o lesiones personales, monte en la caja de salida marcada como "aceptable para soporte del ventilador" y use los tornillos de montaje provistos con la caja de salida. La mayoría de las cajas de salida comúnmente utilizadas para el soporte de accesorios de iluminación no son aceptables para el soporte del ventilador y pueden necesitar ser reemplazadas. Consulte a un electricista calificado si tiene dudas.
- No utilice un atenuador de luz incandescente. No utilice este ventilador con ningún dispositivo de control de velocidad del ventilador de tipo transformador. To reduce the risk of personal injury, do not bend the blade arms when installing them, balancing the blades or cleaning the fan.
- No inserte ningún objeto (s) entre las aspas giratorias del ventilador.

### NOTA:

Las precauciones, salvaguardas e instrucciones importantes que aparecen en este manual no están destinadas a cubrir todas las condiciones y situaciones posibles que puedan ocurrir. Debe entenderse que el sentido común, la precaución y el cuidado son factores que no se pueden incorporar a este producto. Estos factores deben ser proporcionados por la (s) persona (s) que instalan, cuidan y operan la unidad.

## HERRAMIENTAS Y MATERIALES REQUERIDOS

- DESTORNILLADOR PHILLIPS
- DESTORNILLADOR PLANO
- LLAVE O ALICATES
- CORTADOR DE CABLES
- ESCALERA DE TIJERA
- SUMINISTROS DE CABLEADO SEGÚN REQUERIDO POR CÓDIGO ELÉCTRICO

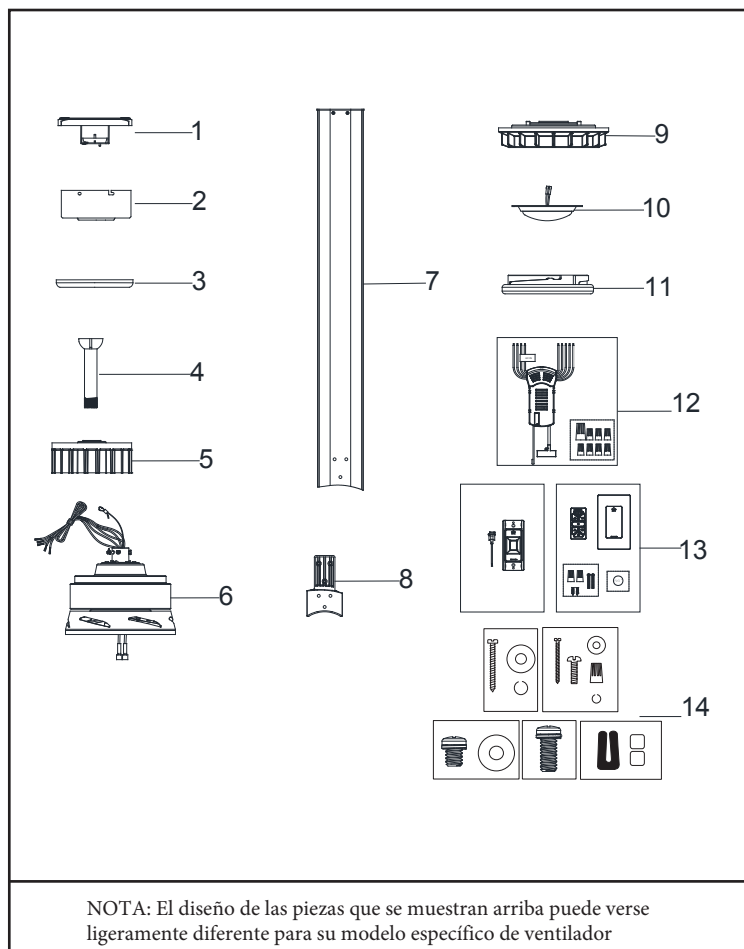


# DESEMBALAJE SU VENTILADOR

## DESEMBALA TU VENTILADOR Y CONSULTA EL CONTENIDO

• No deseche la caja. Si alguna vez es necesario reemplazar o reparar la garantía, el ventilador debe devolverse en su embalaje original. Retire todas las piezas y hardware. No coloque la carcasa del motor de lado, ya que la carcasa decorativa podría moverse, doblarse o dañarse.

• Examine todas las partes. Deberías tener lo siguiente:



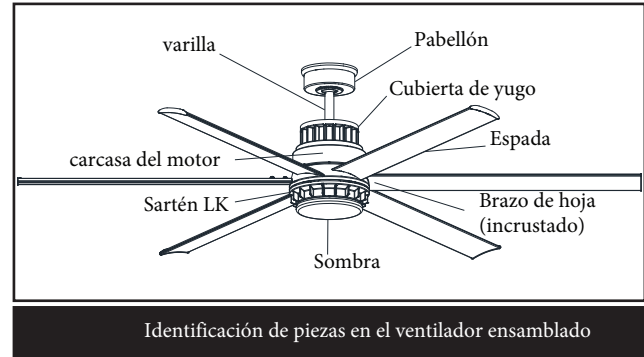
CONTENIDOS DEL PAQUETE		
1	Soporte colgante	CA904566FXX
2	Toldo de techo	
3	Anillo de ajuste	
4	Ensamblaje de varilla	DRK94016FXX
5	Cubierta de yugo	YC905360FXX
6	Carcasa de ventilador con motor	
7	Juego de cuchillas de 6	BL905360FXX
8	Juego de 6 brazos de hoja	BLI905360FXX
9	Sartén LK	AP905360FXX
10	Módulo LED de 16W	E905360LED
11	Asamblea de sombra	GL905360FR
12	Receptor incluido Tuercas de alambre	CWT905360
13	Control de pared con batería 2032, cuna A, placa de pared, placa frontal, tornillos de montaje, cuna B (solo para uso en paredes planas)	980014FWH-R
14	Bolsa de ferretería	
	Herrajes para soporte colgante, Herrajes para cable de seguridad, Tornillos de hoja, Espaciadores, Tornillos para soporte de hoja, Kit de balanceo de hoja	MH905360
xx=ACABADO EN VENTILADOR		

## PREPARACIÓN

### PREPARACIÓN:

Verifique que tenga todas las piezas antes de comenzar la instalación. Revise atentamente el inserto de papel para pulpa en busca de piezas faltantes. Saque el motor del empaque. Para evitar dañar el acabado, ensamble el motor sobre una superficie acolchada suave o use el inserto de papel de pulpa original en la caja del motor.

**NO COLOQUE LA CARCASA DEL MOTOR DE LADO YA QUE ESTO PODRÍA RESULTAR EN EL DESPLAZAMIENTO DEL MOTOR EN LA CAJA DECORATIVA.**



Identificación de piezas en el ventilador ensamblado

## INSTALACIÓN DEL SOPORTE COLGANTE

**PRECAUCIÓN:** Para evitar posibles descargas eléctricas, asegúrese de que la electricidad esté apagada en la caja de alimentación principal antes de realizar el cableado. Todo el cableado debe estar de acuerdo con los Códigos Eléctricos Nacionales y Locales y el ventilador de techo debe estar conectado a tierra como precaución contra posibles descargas eléctricas.

- 1 Ubique la viga del techo donde se montará el ventilador, asegurándose de que la ubicación cumpla con los requisitos de la sección de espacio libre mínimo de esta guía. Las vigas de madera deben ser sólidas y del tamaño adecuado para soportar 35 libras (consulte la página 2, artículos 3 y 4).
- 2 Si aún no está presente, monte una caja de salida listada por UL marcada “apto para soporte de ventilador” siguiendo las instrucciones proporcionadas con la caja de salida. La caja de salida debe poder soportar un mínimo de 35 libras.
- 3 Retire el anillo de la capota de la capota girándolo en sentido contrario a las agujas del reloj hasta que se desbloquee. Retire el soporte de montaje de la cubierta aflojando los cuatro tornillos en la parte superior de la cubierta. Retire los dos tornillos sin ranura y afloje los tornillos con ranura. Esto le permitirá quitar el soporte de montaje.
- 4 Fije el soporte para colgar a la caja de salida con los tornillos provistos con la caja de salida.

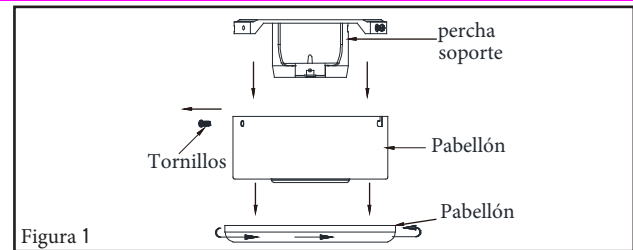


Figura 1

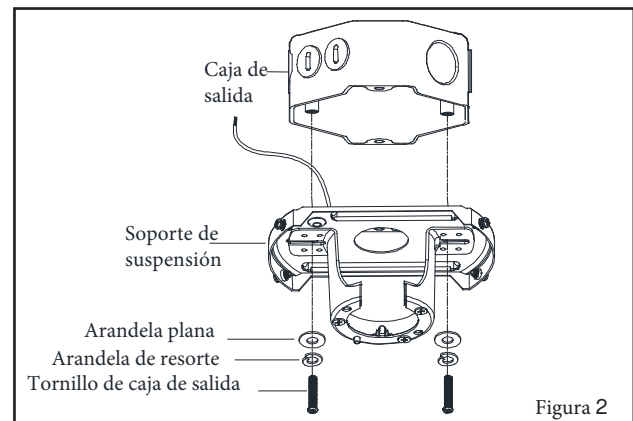


Figura 2

# CÓMO COLGAR EL VENTILADOR

ADVERTENCIA: Asegúrese de que el pasador cruzado esté bien instalado en la bola de suspensión con el tubo bajante.

- 1 Retire la bola de suspensión del tubo bajante aflojando el tornillo de fijación en el costado de la bola de suspensión. Deslice la bola de suspensión hacia abajo y retire el pasador transversal. (Figura 1)
- 2 Sostenga con cuidado el cuerpo del ventilador (motor) en su empaque con el collar de montaje (donde salen los cables) mirando hacia arriba.
- 3 Afloje el tornillo de fijación de seguridad y retire el pasador de la varilla y la chaveta del acoplamiento en la parte superior del conjunto del motor. (Figura 2)
- 4 Pase con cuidado los cables conductores eléctricos y el cable de seguridad del ventilador a través del tubo bajante. Enrosque la varilla en el acoplador hasta que los orificios se alineen. Inserte el pasador del tubo bajante a través de los agujeros en el collarín de montaje y el tubo bajante; sujete la chaveta a través del pequeño orificio en el extremo del pasador de la varilla para mantener la varilla en su lugar.
- 5 Apriete firmemente el tornillo de fijación contra el tubo bajante con un destornillador grande de cabeza plana para garantizar un ajuste perfecto contra el tubo bajante. Apriete las tuercas contra el collar de montaje.

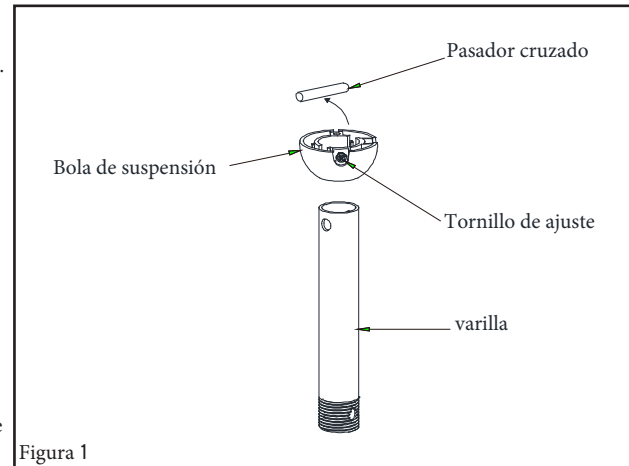


Figura 1

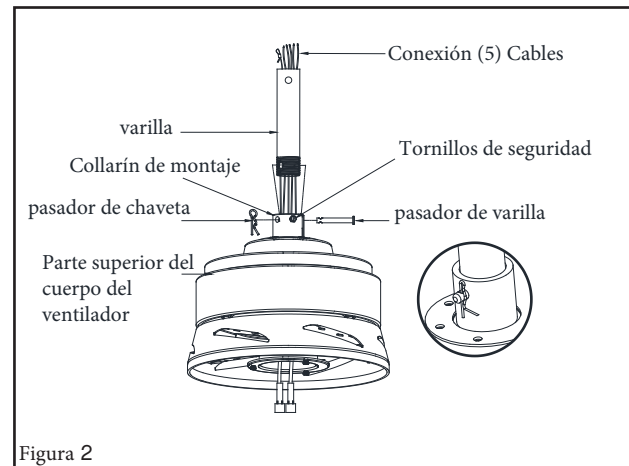


Figura 2

## CÓMO COLGAR EL VENTILADOR (continuación)

- 1 Deslice la cubierta del yugo, el anillo de moldura y la capota en el tubo bajante. (Fig. 3)
- 2 Deslice la bola de suspensión en el tubo bajante, inserte el pasador transversal a través del tubo bajante y apriete. Apriete el tornillo de fijación.

**NOTA:**

El ventilador tiene 6 pies de cable de conexión en caso de que esté usando una barra de extensión larga.

- 3 Levante la bola/el tubo bajante/el ventilador en la abertura del soporte de suspensión.

NOTA: La lengüeta opuesta a la abertura del soporte de suspensión debe encajar en la ranura de la bola. (Figura 4)

### INSTALACIÓN DE SOPORTE DE CABLE DE SEGURIDAD:

Fije el tornillo para madera y la arandela plana a la viga del techo como se muestra (no apriete completamente). Deslice la abrazadera del cable en el cable de seguridad del ventilador. Pase el cable de seguridad alrededor del tornillo para madera que acaba de colocar en la viga del techo. Introduzca el extremo del cable en la abrazadera y tire de la mayor cantidad de cable posible. Apriete firmemente el tornillo en la abrazadera. Corte el exceso de cable.

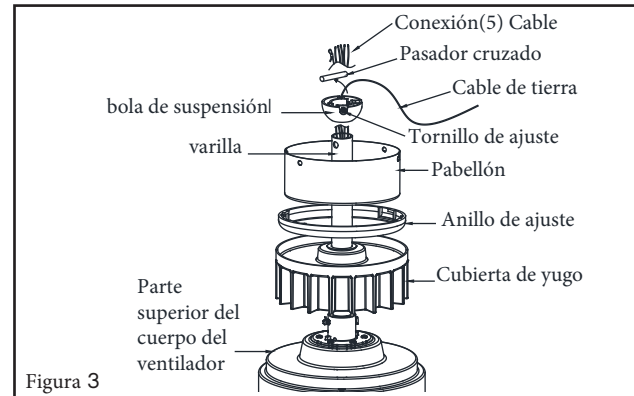


Figura 3

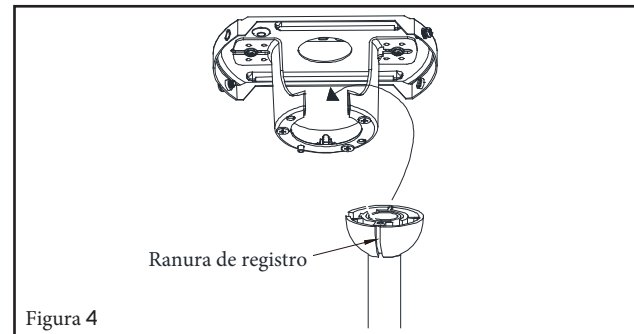


Figura 4

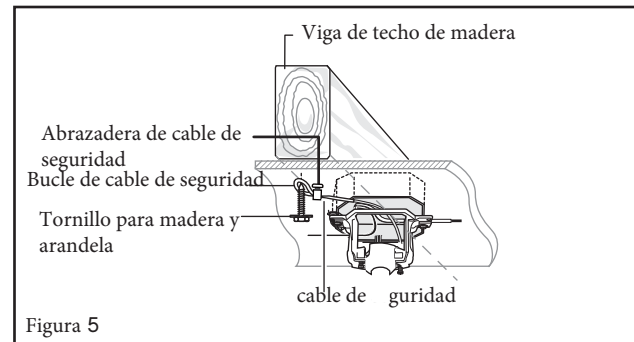


Figura 5

# CONEXIONES ELÉCTRICAS

RECUERDE - ¡Apague la energía!

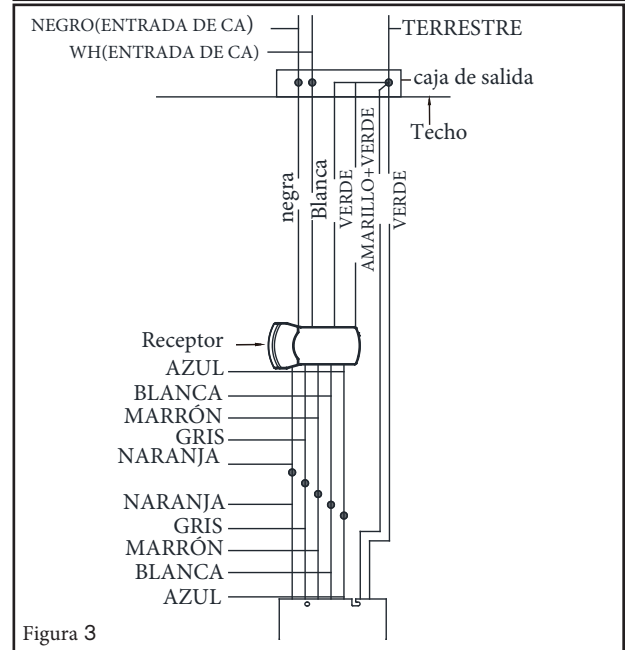
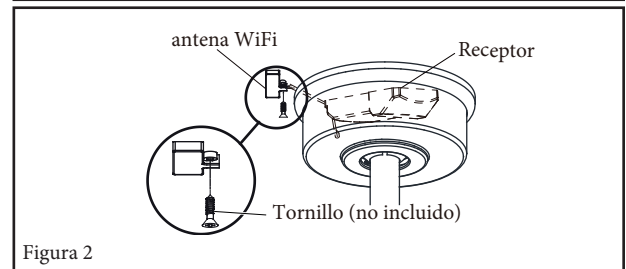
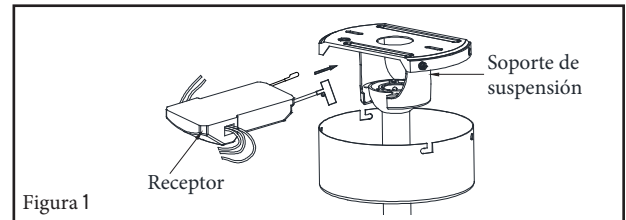
NOTA: El control debe instalarse a menos de 30 pies del ventilador.

NOTA: Para un rendimiento remoto óptimo, mantenga la antena WiFi separada de la antena del receptor.

ADVERTENCIA: Verifique que todas las conexiones estén apretadas, incluida la conexión a tierra, y que no se vea ningún cable desnudo en las tuercas para cables, excepto el cable a tierra.

PRECAUCIÓN: Para reducir el riesgo de descarga eléctrica, este ventilador debe instalarse con un interruptor/control de pared aislador.

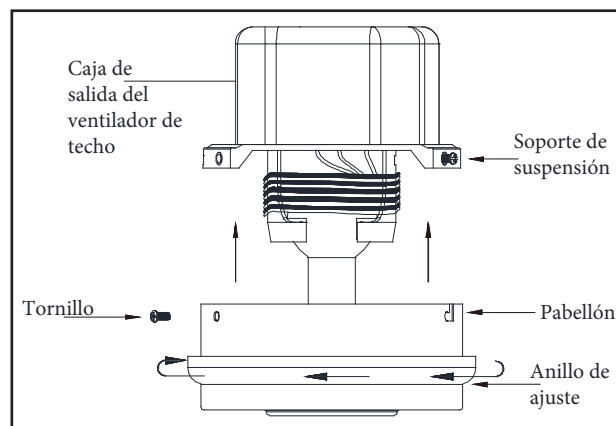
- 1 Inserte el receptor en el soporte de montaje del techo con el lado plano del receptor mirando hacia el techo. (Fig. 1) Para obtener el mejor rendimiento, asegúrese de que la antena negra y la antena WiFi, en el extremo del receptor, permanezcan extendidas y sin enredarse con ninguno de los cables eléctricos. Coloque la antena WiFi en el exterior de la marquesina y péguela/fijela en el techo.
- 2 Realice las conexiones de cables desde el ventilador hasta la unidad receptora. Para este paso utilice el haz de 5 cables del receptor. (Fig. 3) Conecte el cable MARRÓN del ventilador al cable MARRÓN del receptor. Conecte el cable GRIS del ventilador al cable GRIS del receptor. Conecte el cable neutral NARANJA del ventilador al cable neutral NARANJA del receptor. Conecte el cable neutral BLANCO del ventilador al cable neutral BLANCO del receptor. Conecte el cable neutral AZUL del ventilador al cable neutral AZUL del receptor. Conecte el cableado del techo a la unidad receptora. (Use el paquete de 2 cables en el receptor). Asegúrelo con las tuercas para cables provistas. Conecte el cable NEGRO de suministro del edificio al cable NEGRO del receptor. Conecte el cable neutral BLANCO del receptor al cable neutral BLANCO del edificio.
- 3 Conecte el cable de tierra del edificio de COBRE a los 4 cables de tierra AMARILLOS/VERDES del ventilador y el receptor.





## FINALIZANDO LA INSTALACIÓN

- 1 Alinee las ranuras de bloqueo de la cubierta del techo con los dos tornillos de la placa de montaje. Empuje hacia arriba para enganchar las ranuras y gire en el sentido de las agujas del reloj para bloquear en su lugar. Apriete inmediatamente los dos tornillos de montaje con firmeza.
- 2 Instale los dos tornillos de montaje restantes en los orificios de la cubierta y apriételos firmemente
- 3 Instale el anillo de moldura alineando las ranuras del anillo con los tornillos en la cubierta. Gire el anillo de ajuste en el sentido de las agujas del reloj para bloquearlo en su lugar.



### ADVERTENCIA:

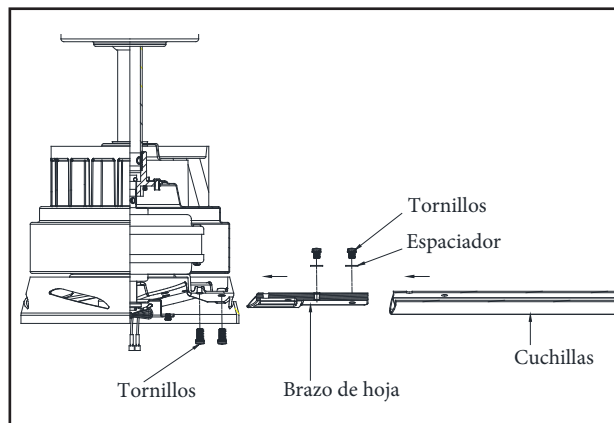
Asegúrese de que el gancho del soporte para colgar se asiente correctamente en la ranura de la bola de suspensión antes de fijar la cubierta al soporte girando la carcasa hasta que encaje en su lugar.

## INSTALACIÓN DE LAS CUCHILLAS

**NOTA:**

Quite los soportes de goma que estén instalados para el envío.

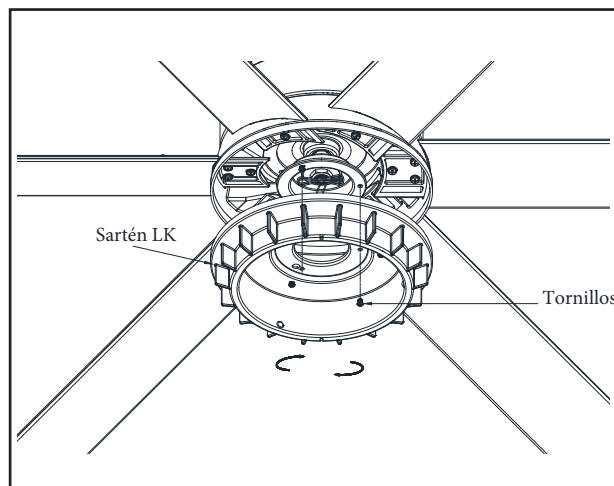
- 1 Instale el aspa en el soporte del aspa usando los tornillos y espaciadores proporcionados.
- 2 Apriete cada tornillo firmemente.
- 3 Instale el ensamblaje de las aspas en el motor insertando el soporte de las aspas en la ranura del volante, alineando los orificios del soporte de las aspas con los orificios del volante, instale el soporte de las aspas con los tornillos provistos. Apriete el tornillo de forma segura.
- 4 Repita los pasos 1, 2 y 3 para las hojas restantes.



## INSTALACIÓN DE LA BANDEJA DEL KIT DE LUCES

**PRECAUCIÓN:** Para reducir el riesgo de descarga eléctrica, desconecte el circuito de suministro eléctrico al ventilador antes de instalar el juego de luces.

- 1 Afloje, pero no quite, dos de los tres tornillos de montaje del conjunto del motor del ventilador; Retire un tornillo de montaje.
- 2 Empuje la bandeja del juego de luces hacia el conjunto del motor del ventilador de modo que las dos cabezas de los tornillos aflojadas encajen en las ranuras tipo ojo de cerradura. Gire la bandeja del juego de luces en el sentido de las agujas del reloj y apriete los tornillos. Vuelva a instalar el tornillo que retiró en el paso 1 y apriételo firmemente.



## INSTALACIÓN DEL CONJUNTO DEL LED Y LA PANTALLA DE VIDRIO

**PRECAUCIÓN:** Para reducir el riesgo de descarga eléctrica, desconecte el circuito de suministro eléctrico al ventilador antes de instalar el juego de luces.

- 1 Quite un tornillo de la bandeja del juego de luces y afloje, pero no quite los otros dos tornillos. Conecte los cables del conjunto del soporte del juego de luces a los cables del conjunto del motor del ventilador conectando los enchufes adaptadores moldeados entre sí. Meta con cuidado todos los cables y empalmes en la tapa del interruptor.
- 2 Empuje el conjunto del juego de luces hacia arriba de modo que las dos cabezas de los tornillos aflojadas encajen en las ranuras de ojo de cerradura. Gire el conjunto del juego de luces en el sentido de las agujas del reloj, apriete los tornillos. Vuelva a instalar el tornillo que retiró en el paso 1 y apriételo firmemente.
- 3 Coloque la pantalla de vidrio en la bandeja del juego de luces, alineando las tres áreas planas en la parte superior de la pantalla de vidrio con los tres hoyuelos elevados en la bandeja del juego de luces. Gire la pantalla de vidrio en el sentido de las agujas del reloj hasta que se detenga.

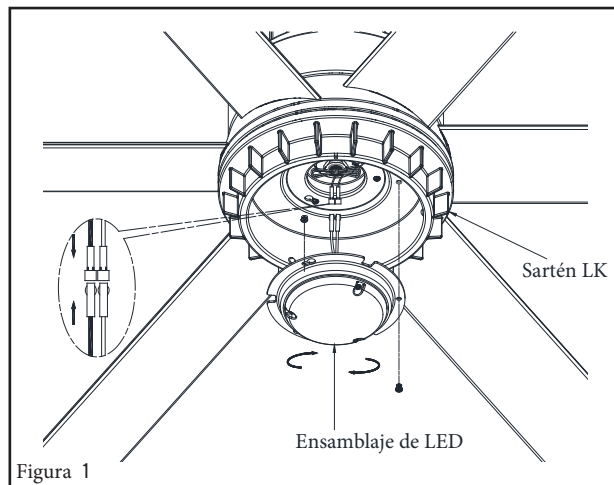


Figura 1

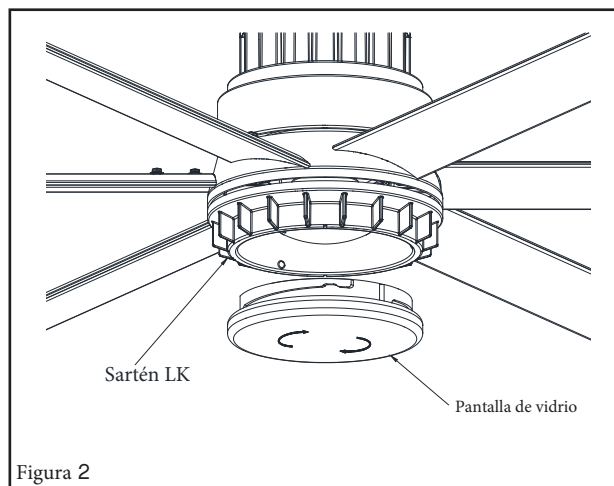


Figura 2

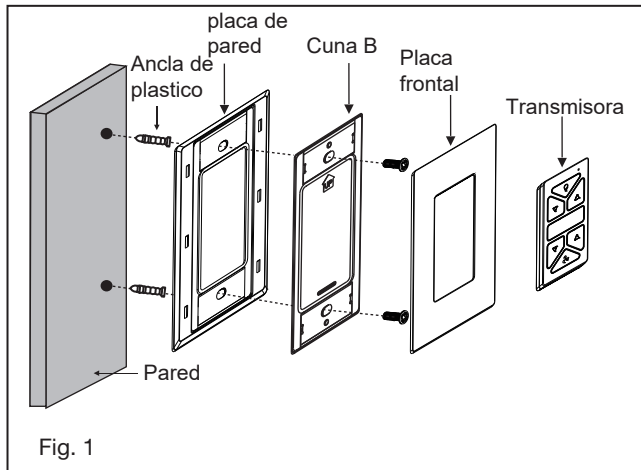
# INSTALACIÓN DEL CONTROL DE PARED

RECUERDE apagar la energía antes de comenzar.

NOTA - Se fija a cualquier superficie o aplicación: pared plana, caja de salida simple, caja de entrada múltiple.

## Opción 1. Instalación en superficie plana

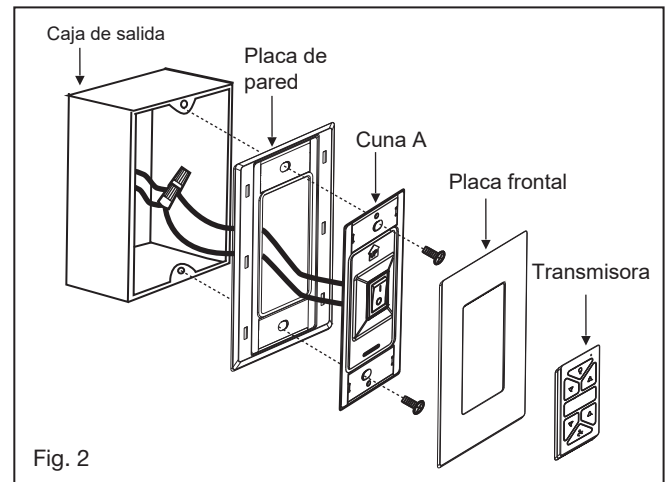
- 1 Seleccione una ubicación deseada. Utilice la placa de pared para marcar la ubicación de los orificios de montaje. Para esta aplicación se necesitan anclajes de pared de plástico o tornillos de montaje. (Figura 1)
- 2 Asiente la base B en la placa de pared. Asegure la placa de pared a la pared con los accesorios provistos.
- 3 Encaje la cubierta de la placa frontal en el soporte de pared.
- 4 El transmisor remoto se mantendrá en su lugar con m incorporado



**HIRO** Sistema de control HIRO

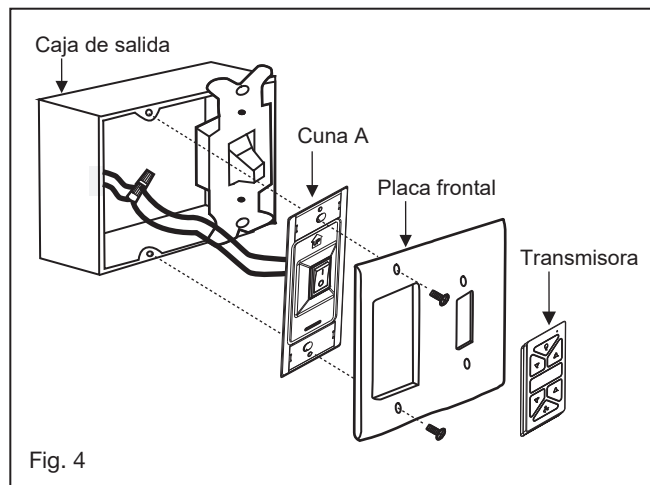
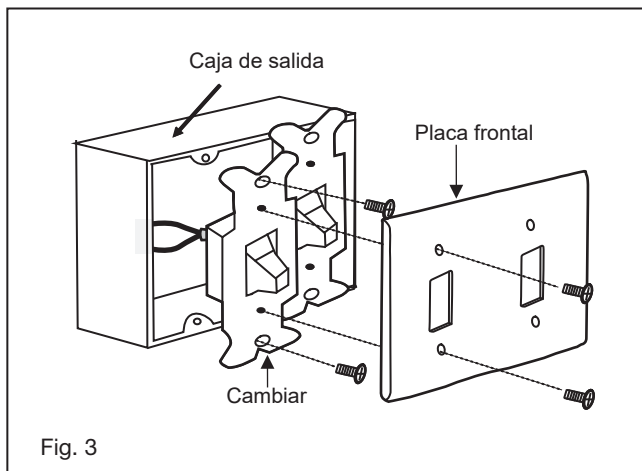
## Opción 2. Para caja de salida única

- 1 Retire la placa de pared existente y el interruptor antiguo de la caja de salida de la pared.
- 2 Asiente la base A en la placa de pared. (Figura 2)
- 3 Conecte los cables conductores negros del interruptor en la base A a los cables negros en la caja del interruptor. Cable de entrada caliente a uno de los cables del interruptor de la base A. El cable de alimentación del ventilador está conectado al cable del interruptor restante.
- 4 Conecte el ensamblaje de la placa de pared / base A a la caja de salida de pared utilizando los accesorios suministrados.
- 5 Encaje la cubierta de la placa frontal en el soporte de pared.
- 6 El transmisor remoto se mantendrá en su lugar con imanes incorporados.



### Opción 3. Instalación de la caja de interruptores de pared de múltiples unidades

- 1 Retire la placa de pared existente y el interruptor antiguo de la caja de salida de pared. (Fig. 3)
- 2 Conecte los cables conductores negros del interruptor en la base A a los cables negros en la caja del interruptor. Cable de entrada caliente a uno de los cables del interruptor de la base. El cable de alimentación del ventilador está conectado al cable del interruptor restante. (Figura 4)
- 3 Fije la base A a la caja de interruptores de pared utilizando los accesorios suministrados.
- 4 Conecte la placa frontal de varios grupos al interruptor en la caja de salida de la pared. La base A del interruptor Hinkley encajará en cualquier placa frontal decorativa estándar.
- 5 El transmisor remoto se mantendrá en su lugar con imanes incorporados.




 **HIRO** Sistema de control HIRO

# OPERACIÓN







Su motor sin escobillas de CC está equipado con un control remoto de tipo aprendido automáticamente. No hay interruptores de frecuencia en el receptor o transmisor. El ventilador puede comenzar a usarse una vez que se realiza el proceso de emparejamiento.

Retire el panel del transmisor y luego instale una batería 2032 (incluida). Necesita usar una moneda para abrir o cerrar la tapa de la batería. Para evitar daños al transmisor, extraiga la batería si no la va a utilizar durante largos períodos de tiempo (Fig. 1)

 **ADVERTENCIA:** Peligro de quemaduras químicas. Mantenga las baterías fuera del alcance de los niños.


Este producto contiene una batería de botón/bola de litio. Si se ingiere o entra en el cuerpo una pila de botón o de botón de litio nueva o usada, puede causar quemaduras internas graves y provocar la muerte en tan solo 2 horas. Siempre asegure completamente el compartimiento de la batería. Si el compartimiento de las pilas no cierra bien, deje de utilizar el producto, retire las pilas, y manténgalo alejado de los niños. SI cree que las pilas pueden haberse tragado o colocado dentro de cualquier parte del cuerpo, busque atención médica de inmediato.

Las baterías deben desecharse de manera adecuada, incluso manteniéndolas fuera del alcance de los niños; Incluso las celdas usadas pueden causar lesiones.

-  botón: Presione este botón y suéltelo instantáneamente para encender o apagar la luz.
-  botón: Mantenga presionado para atenuar o aumentar las luces al nivel deseado y suelte.
-  botón: Presione este botón para configurar la dirección del viento del ventilador hacia arriba o hacia abajo.
-  botón: Presione el botón para encender y configurar
-  1-6 velocidad del ventilador. botón: Presione este botón para encender/apagar el ventilador. Luz de señal (Fig. 2)
-  el ventilador. Luz de señal (Fig. 2)

## Proceso de emparejamiento

NOTA: Si instala/empareja más de un ventilador en un área, se debe desconectar la alimentación de todos los ventiladores excepto del que se está emparejando.

Con el ventilador apagado, restablezca la energía al ventilador. Mantenga presionado el botón “” durante aproximadamente 5 segundos y suéltelo. Si se instala un juego de luces opcional, el juego de luces parpadeará tres veces y el motor girará durante 10 segundos a baja velocidad. El ventilador completó el proceso de emparejamiento con el control de pared y está listo para usarse.

NOTA: Un solo ventilador se puede controlar con hasta 3 controles de pared en una habitación. Cada control deberá repetir el proceso de emparejamiento según las instrucciones anteriores y todos los controles deben estar dentro de los 30 pies del ventilador.

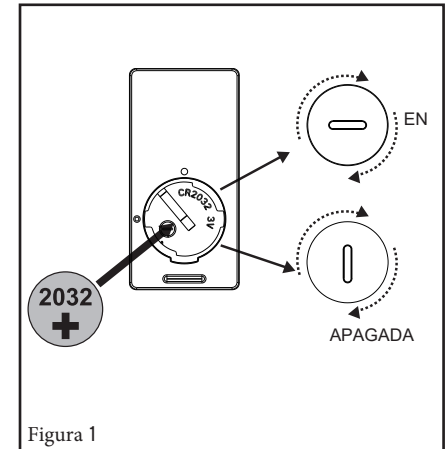


Figura 1

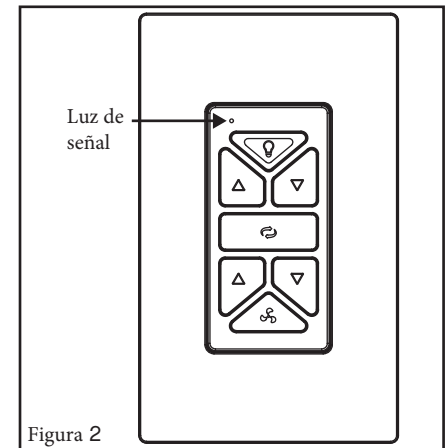



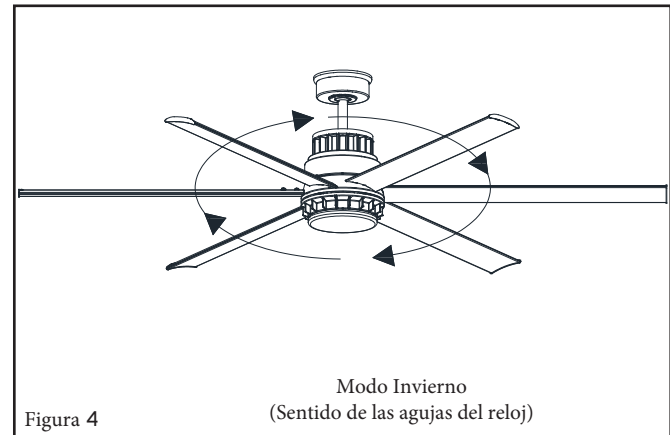
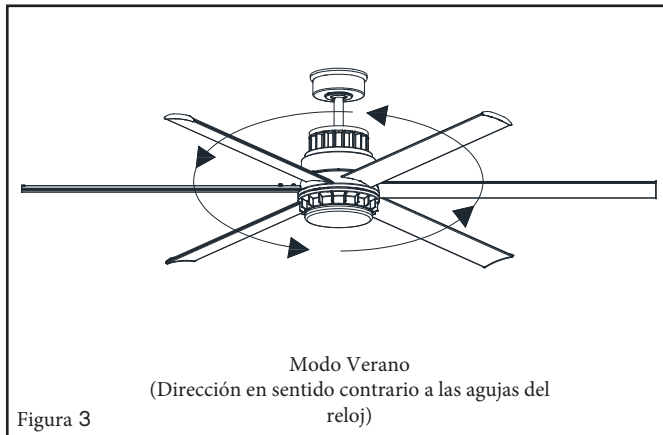
Figura 2

 **HIRO** Sistema de control HIRO

## FUNCIONAMIENTO (continuación)

### Funcionamiento en modo verano y modo invierno

- 1 **IMPORTANTE:** Para operar la función inversa en este ventilador, presione el botón inversa mientras el ventilador está funcionando.
- 2 **Modo Verano (adelante):**  
Un flujo de aire HACIA ABAJO crea un efecto de enfriamiento como se muestra en la Figura 3. Esto le permite configurar su acondicionador de aire en un ambiente más cálido sin afectar su comodidad.
- 3 **Modo Invierno (Reversa):**  
Un flujo de aire HACIA ARRIBA mueve el aire más cálido fuera del área del techo como se muestra en la Figura 4. Esto le permite configurar su unidad de calefacción en un ambiente más fresco sin afectar su comodidad.



## CUIDADO Y LIMPIEZA

Periódicamente puede ser necesario volver a apretar los tornillos del brazo del aspa o del brazo del aspa al motor para evitar un chasquido o un zumbido durante el funcionamiento. Esto es especialmente cierto en climas con amplios rangos de temperatura y humedad.

Al desempolvar las hojas, debe apoyar la hoja para evitar que se doble; no se debe aplicar presión a las hojas. Si experimenta alguna falla en el funcionamiento de su ventilador, verifique los siguientes puntos.

## SOLUCIÓN DE PROBLEMAS

### PRECAUCIÓN:

Apague la fuente de alimentación antes de realizar cualquiera de estas comprobaciones.

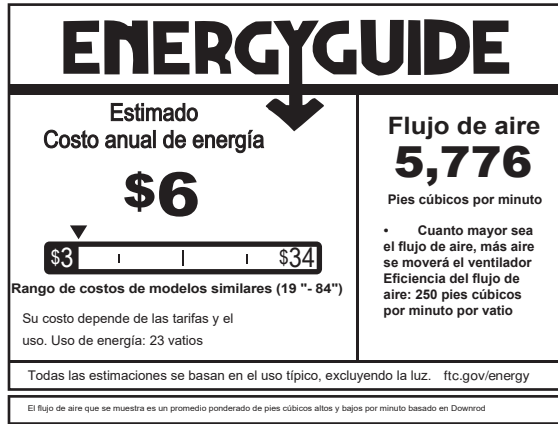
### PROBLEMA

El ventilador no arranca	<ol style="list-style-type: none"><li>1. Revise los disyuntores y/o fusibles principales y derivados.</li><li>2. Verifique las conexiones de los cables de línea al cableado de la carcasa del ventilador. Asegúrese de que el interruptor de avance/retroceso esté en una u otra posición, no atascado en el medio.</li><li>3. Asegúrese de que los interruptores DIP del transmisor y el receptor estén configurados en la misma frecuencia.</li></ol>
El ventilador suena ruidoso	<ol style="list-style-type: none"><li>1. Verifique y asegúrese de que todos los tornillos en la carcasa del motor estén ajustados (pero no demasiado apretados).</li><li>2. Verifique que los tornillos que sujetan los brazos de las aspas al motor estén apretados.</li><li>3. Verifique que los conectores de cables en la caja del interruptor no golpeen entre sí o contra la pared interior de la caja del interruptor.</li><li>4. Verifique que todo el material de vidrio esté apretado con los dedos y que las bombillas estén bien sujetas en los portalámparas, si se usa un juego de luces.</li><li>5. Verifique que la capota esté firmemente sujeta al soporte colgante y que no vibre contra el techo.</li></ol>
El ventilador se tambalea	<ol style="list-style-type: none"><li>1. Verifique que todas las aspas estén firmemente atornilladas en los brazos de las aspas. Verifique que todos los brazos de las aspas estén firmemente sujetos al motor.</li><li>2. Verifique para asegurarse de que el juego de luces (si está presente) esté firmemente conectado a la carcasa del interruptor y que todos los elementos de vidrio y las pantallas estén bien sujetos. El bamboleo también puede resultar incluso de las desviaciones más pequeñas en la distancia entre la punta de la hoja y la punta de la hoja.</li><li>3. Si las medidas de la punta de la hoja a la punta de la hoja no son iguales, afloje los tornillos que conectan la hoja al brazo de la hoja uno a la vez y ajuste la(s) hoja(s) para que las distancias sean iguales.</li><li>4. El intercambio de hojas adyacentes puede redistribuir la masa y dar como resultado una operación más suave. Los brazos de las palas se pueden doblar ligeramente para restaurar el mismo paso a todas las palas si una pala es diferente a las otras palas cuando se ve de canto.</li><li>5. La mayoría de las oscilaciones se pueden atribuir a una caja eléctrica suelta o un soporte de montaje. Asegúrese de que estén apretados y que la bola esté completamente asentada en el soporte.</li><li>6. Utilice el kit de equilibrio de cuchillas adjunto si todavía se nota el bamboleo de las cuchillas.</li></ol> <p>ADVERTENCIA: Para reducir el riesgo de lesiones personales, no doble el brazo de las aspas mientras instala, equilibra las aspas o limpia el ventilador. No inserte objetos extraños entre las aspas giratorias del ventilador.</p>
Mal funcionamiento del control remoto	<ol style="list-style-type: none"><li>1. No conecte el ventilador con controles de velocidad variable montados en la pared.</li><li>2. Asegúrese de que los interruptores DIP estén configurados correctamente.</li></ol>



## GUÍA DE ENERGÍA

### INFORMACIÓN MEDIA DE DESEMPEÑO Y ENERGÍA



## ESPECIFICACIONES

ESPECIFICACIONES DE RENDIMIENTO	ESTÁNDAR	
	ALTO VELOCIDAD	BAJA VELOCIDAD
Flujo de aire (CFM)	8389	2816
Uso de energía (vatios)	32.95	3.88
Eficiencia del flujo de aire (CFM/W)	254.5	725.7
Costos de energía (anual)	\$6	
Amperios	0.55	0.12
RPM	143	50

## DESCARGA DE LA APLICACIÓN HINKLEY

### OPCIONES DE VENTILADOR INTELIGENTE HINKLEY:

Además del control de pared incluido, puede controlar su ventilador Hinkley a través de la aplicación Hinkley.

- Para usar la aplicación Hinkley, descárguela gratis de App Store o Google Play.
- Abra la aplicación Hinkley donde se le pedirá que cree una cuenta.
- Ingrese toda la información necesaria para crear una cuenta.
- Después de crear la cuenta, recibirá un correo electrónico con el código de verificación para terminar de configurar la aplicación Hinkley (consulte la carpeta de correo no deseado si no se recibe el correo electrónico).
- Confirme que Bluetooth esté habilitado para permitir que el ventilador y la aplicación Hinkley se conecten entre sí.
- Haga clic en agregar un dispositivo en la pantalla de inicio y seleccione el ventilador deseado.
- La aplicación Hinkley le pedirá que ingrese el nombre y la contraseña de WiFi.
- Haga clic en Listo en la aplicación Hinkley para completar la conexión del ventilador.
- La aplicación Hinkley tendrá opciones en la pantalla principal para velocidades de ventilador, atenuación y configuración de temporizadores.
- Escanee el código QR a continuación para obtener más información sobre el funcionamiento de la aplicación Hinkley.



ESCANEAR PARA DETALLES ADICIONALES

HINKLEY SE ENCUENTRA ORGULLOSO DE PROPORCIONARLE PRODUCTOS PARA VENTILADORES DE TECHO QUE MEJORAN SU ESPACIO CON COMODIDAD, PROPÓSITO Y ESTILO. COMO EMPRESA FAMILIAR, ESTAMOS COMPROMETIDOS CON EL DISEÑO, EL RENDIMIENTO Y LA CALIDAD, Y LO QUE ES IMPORTANTE PARA USTED ES PARAMOUNT PARA NOSOTROS.

**PARA UN SURTIDO COMPLETO DE NUESTROS PRODUCTOS Y FUENTES DE LIBROS, VISITA [HINKLEY.COM](http://HINKLEY.COM).**

# HINKLEY

GLOBAL HEADQUARTERS

33000 Pin Oak Parkway | Avon Lake, Ohio 44012

T (440) 653 5500 | F (440) 653 5555 | [hinkley.com](http://hinkley.com)

HINKLEY

# 60" DRAFTSMAN™

VENTILATEUR LED INTÉRIEUR /  
EXTÉRIEUR



WET



DC MOTOR



LED



C



WIFI



MANUEL D'INSTRUCTIONS DU VENTILATEUR DE PLAFOND



HINKLEY

ASSOCIER AVEC L'APPLICATION HINKLEY  
TÉLÉCHARGEMENT SUR APP STORE ou GOOGLE  
PLAY

CUL Model No. 60-DRAT

## **NOUS VOULONS VOUS AIMER VOTRE NOUVEAU FAN**

NOUS SOMMES ICI SI VOUS AVEZ UNE QUESTION, BESOIN D'UNE AIDE OU VOULEZ CHAT SUR NOS PRODUITS. ENVOYER DES SUGGESTIONS NOTRE FAÇON AUSSI - NOUS CHERCHONS TOUJOURS À FAIRE DE VOTRE EXPÉRIENCE AVEC HINKLEY UNE POSITIVE.

> [SERVICE@HINKLEY.COM](mailto:SERVICE@HINKLEY.COM)

> [800.HINKLEY](tel:800.HINKLEY)

> [LET'S SEE THAT HINKLEY STYLE @HINKLEY](#)  
[#HINKLEYSTYLE](#)

---

Ce manuel contient des instructions complètes pour l'installation et le fonctionnement de ce ventilateur. Il a été conçu pour rendre le processus d'installation aussi simple que possible. Si vous n'êtes pas familier ou mal à l'aise avec le câblage, veuillez contacter un électricien qualifié. Si vous avez besoin d'aide supplémentaire ou avez des questions, n'hésitez pas à nous contacter.

---

Pour des informations sur la garantie, visitez [hinkley.com](http://hinkley.com).

# TABLE DES MATIÈRES

<b>02</b>	INSTRUCTIONS GÉNÉRALES D'INSTALLATION ET D'UTILISATION	<b>10</b>	INSTALLATION DU PAN DU KIT D'ÉCLAIRAGE
<b>03</b>	MESURES DE SÉCURITÉ IMPORTANTES	<b>11</b>	INSTALLATION DE L'ENSEMBLE LED ET DE L'ABAT-JOUR EN VERRE
<b>03</b>	OUTILS ET MATÉRIAUX NÉCESSAIRES	<b>12</b>	INSTALLATION DE LA COMMANDE MURALE
<b>04</b>	DÉBALLAGE DE VOTRE VENTILATEUR	<b>14</b>	OPÉRATION
<b>05</b>	PRÉPARATION	<b>16</b>	ENTRETIEN ET NETTOYAGE
<b>05</b>	INSTALLATION DU SUPPORT DE SUSPENSION	<b>16</b>	DÉPANNAGE
<b>06</b>	SUSPENDRE LE VENTILATEUR	<b>17</b>	GUIDE ÉNERGIE
<b>08</b>	CONNECTIONS ELECTRIQUES	<b>17</b>	CARACTÉRISTIQUES
<b>09</b>	FIN DE L'INSTALLATION	<b>18</b>	APPLICATION HINKLEY / WIFI
<b>10</b>	INSTALLATION DES LAMES		

**ATTENTION:**

Lisez et suivez attentivement ces instructions et tenez compte de tous les avertissements indiqués tout au long.

# INSTRUCTIONS GÉNÉRALES D'INSTALLATION ET D'UTILISATION

- 1 Pour assurer le succès de l'installation, assurez-vous de lire les instructions et de revoir attentivement les schémas avant de commencer.
- 2 Pour éviter tout risque d'électrocution, assurez-vous que l'électricité est coupée au niveau du boîtier d'alimentation principal avant le câblage. Toutes les connexions électriques doivent être effectuées conformément aux codes locaux, aux ordonnances et/ou au Code national de l'électricité. Si vous n'êtes pas familier avec les méthodes d'installation du câblage et des produits électriques, faites appel aux services d'un électricien qualifié et agréé ainsi que d'une personne capable de vérifier la résistance des éléments de support du plafond et d'effectuer les installations et les connexions appropriées.
- 3 **AVERTISSEMENT** : Pour réduire le risque d'incendie, de choc électrique ou d'autres blessures, montez le ventilateur uniquement sur une boîte de sortie ou un système de support marqué acceptable pour un support de ventilateur de 35 lb (15,9 kg) ou moins et utilisez les vis de montage fournies avec la boîte de sortie. . La plupart des boîtes de sortie couramment utilisées pour le support des appareils d'éclairage ne sont pas acceptables pour le support des ventilateurs et peuvent devoir être remplacées. Consultez un électricien qualifié en cas de doute.
- 4 Assurez-vous que votre site d'installation ne permettra pas aux pales de ventilateur en rotation d'entrer en contact avec un objet. Les lames doivent être à au moins 7 pieds du sol.
- 5 Les lames doivent être fixées une fois le boîtier du moteur suspendu et en place. Le boîtier du moteur du ventilateur doit être conservé dans le carton jusqu'à ce qu'il soit prêt à être installé pour protéger sa finition. Si vous installez plus d'un ventilateur de plafond, assurez-vous de ne pas mélanger les ensembles de pales de
- 6 Après avoir effectué les connexions électriques, les conducteurs épaissés doivent être tournés vers le haut et poussés avec précaution dans la boîte de sortie. Les fils doivent être écartés avec le conducteur commun et le conducteur de mise à la terre d'un côté de la boîte de sortie, et les fils "SOUS TENSION" de l'autre côté.
- 7 Les schémas électriques sont fournis à titre indicatif uniquement. Les kits d'éclairage qui ne sont pas emballés avec le ventilateur doivent être homologués UL et doivent être installés conformément aux instructions d'installation du kit d'éclairage.
- 8 Une fois le ventilateur complètement installé, assurez-vous que toutes les connexions sont sécurisées pour éviter que le ventilateur ne tombe et/ou ne cause des dommages ou des blessures.
- 9 Le ventilateur peut être mis en marche immédiatement après l'installation - les roulements sont suffisamment chargés de graisse pour que, dans des conditions normales, une lubrification supplémentaire ne soit pas nécessaire pendant la durée de vie du ventilateur.
- 10 Pour activer la fonction d'inversion sur ce ventilateur, appuyez sur le bouton d'inversion pendant que le ventilateur est en marche.
- 11 **ATTENTION** : Ne pas ingérer la batterie - Risque de brûlure chimique. Gardez les piles neuves et usagées hors de portée des enfants.
- 12 La télécommande est fournie avec une pile bouton/bouton. Si la pile bouton/bouton est avalée, elle peut provoquer de graves brûlures internes en seulement 2 heures et entraîner la mort.
- 13 Si le compartiment à piles ne se ferme pas correctement, arrêtez d'utiliser le produit et tenez-le hors de portée des enfants.
- 14 Si vous pensez que des piles ont été avalées ou placées à l'intérieur d'une partie du corps, consultez immédiatement un médecin.
- 15 **AVERTISSEMENT** : Pour réduire le risque d'incendie ou de choc électrique, ce ventilateur ne doit être utilisé qu'avec la commande de vitesse du ventilateur réf. JY1126T fabriqué par Satellite Electronic (Zhongshan) Ltd.
- 16 Remarque : Convient pour une utilisation dans des endroits humides.



## PRÉCAUTIONS DE SÉCURITÉ IMPORTANTES

### AVERTISSEMENTS:

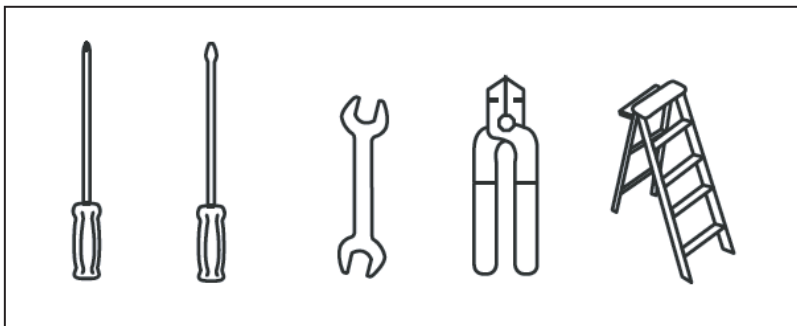
- Coupez l'alimentation en retirant le fusible ou en fermant le disjoncteur avant d'installer le ventilateur et / ou l'éclairage en option.
- Support directement à partir de la structure du bâtiment.
- Pour réduire le risque d'incendie, d'électrocution ou de blessure, montez sur la boîte de sortie marquée "acceptable pour le support du ventilateur" et utilisez les vis de montage fournies avec la boîte de sortie. La plupart des boîtiers de sortie couramment utilisés pour le support des appareils d'éclairage ne sont pas acceptables pour le support du ventilateur et peuvent devoir être remplacés. Consulter un électricien qualifié en cas de doute.
- N'utilisez pas de gradateur de lumière incandescente. N'utilisez pas ce ventilateur avec un dispositif de contrôle de vitesse de ventilateur de type transformateur.
- Pour réduire le risque de blessures corporelles, ne pliez pas les bras des pales lors de leur installation, de l'équilibrage des pales ou du nettoyage du ventilateur.
- N'insérez aucun objet entre les pales du ventilateur en rotation.

### REMARQUE:

Les précautions, garanties et instructions importantes figurant dans ce manuel ne sont pas destinées à couvrir toutes les conditions et situations possibles qui peuvent survenir. Il faut comprendre que le bon sens, la prudence et la prudence sont des facteurs qui ne peuvent être intégrés à ce produit. Ces facteurs doivent être fournis par la ou les personnes installant, prenant soin et utilisant l'appareil.

## OUTILS ET MATÉRIAUX REQUIS

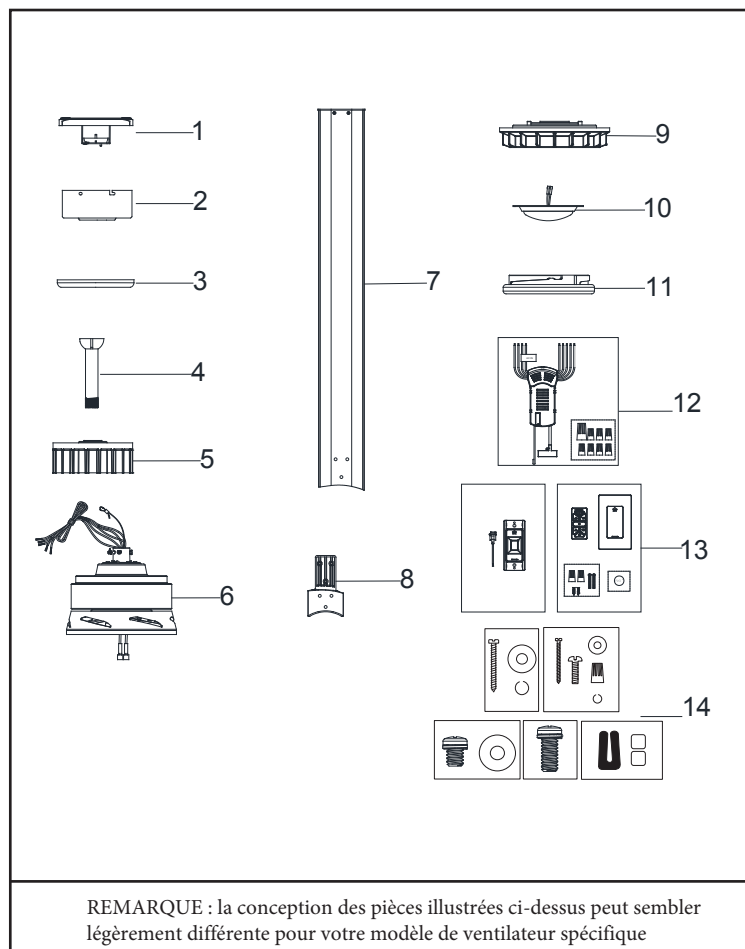
- TOURNEVIS CRUCIFORME
- TOURNEVIS PLAT
- CLÉ OU PINCE
- COUPE-FIL
- ESCABEAU
- FOURNITURES DE CÂBLAGE  
COMME REQUIS PAR LE CODE  
ÉLECTRIQUE



# DÉBALLAGE DE VOTRE FAN

## DÉBALLER VOTRE FAN ET VÉRIFIER LE CONTENU

- Ne jetez pas le carton. Si un remplacement ou une réparation sous garantie est nécessaire, le ventilateur doit être retourné dans son emballage d'origine. Retirez toutes les pièces et le matériel. Ne posez pas le boîtier du moteur sur le côté, sinon le boîtier décoratif pourrait se déplacer, être plié ou endommagé.
- Examinez toutes les pièces. Vous devriez avoir les éléments suivants:



REMARQUE : la conception des pièces illustrées ci-dessus peut sembler légèrement différente pour votre modèle de ventilateur spécifique

## CONTENU DU COLIS

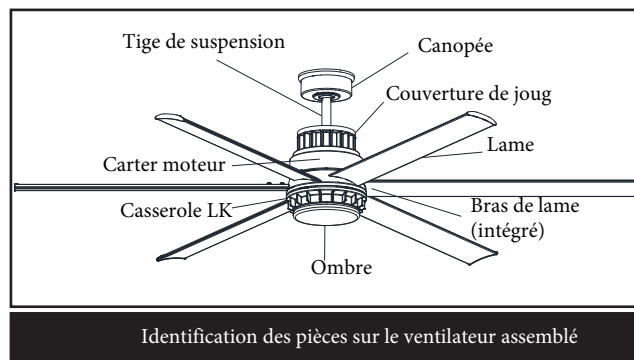
1	Support de suspension	CA904566FXX
2	Auvent de plafond	
3	Garniture Anneau	
4	Assemblage de la tige de suspension	DRK94016FXX
5	Couverture de joug	YC905360FXX
6	Boîtier de ventilateur avec moteur	
7	Jeu de 6 lames	BL905360FXX
8	Ensemble de bras de lame de 6	BLI905360FXX
9	Casserole LK	AP905360FXX
10	Module LED 16W	E905360LED
11	Assemblage de l'abat-jour	GL905360FR
12	Récepteur incl. Fil Écrous	CWT905360
13	Commande murale avec pile 2032, support A, plaque murale, plaque frontale, vis de montage, support B (pour une utilisation sur un mur plat uniquement)	980014FWH-R
14	Sac de quincaillerie	
	Matériel de support de suspension, matériel de câble de sécurité, vis de lame, entretoises, vis de support de lame, kit d'équilibrage de lame	MH905360
xx=FINITION ÉVENTAIL		

## PRÉPARATION

### PRÉPARATION:

Vérifiez que vous avez toutes les pièces avant de commencer l'installation. Vérifiez attentivement l'insert de pâte à papier pour les pièces manquantes. Retirez le moteur de l'emballage. Pour éviter d'endommager la finition, assemblez le moteur sur une surface rembourrée douce ou utilisez l'insert de pâte à papier d'origine dans la boîte du moteur.

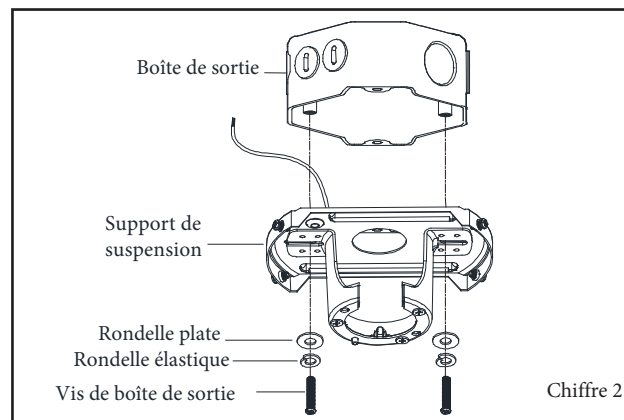
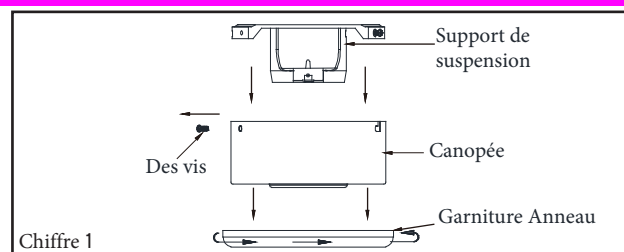
**NE PAS POSER LE BOÎTIER DU MOTEUR SUR LE CÔTÉ CAR CELA POURRAIT ENTRAÎNER LE DÉPLACEMENT DU MOTEUR DANS L'ENCEINTE DÉCORATIVE.**



## INSTALLATION DU SUPPORT DE SUSPENSION

**ATTENTION :** Pour éviter tout risque d'électrocution, assurez-vous que l'électricité est coupée au niveau du boîtier d'alimentation principal avant le câblage. Tout le câblage doit être conforme aux codes électriques nationaux et locaux et le ventilateur de plafond doit être mis à la terre par mesure de précaution contre un éventuel choc électrique.

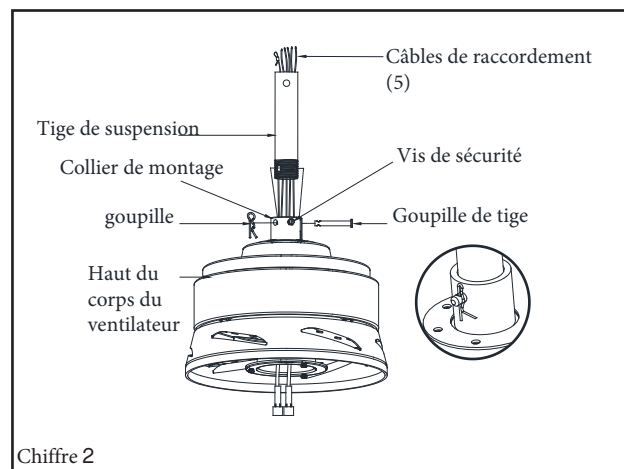
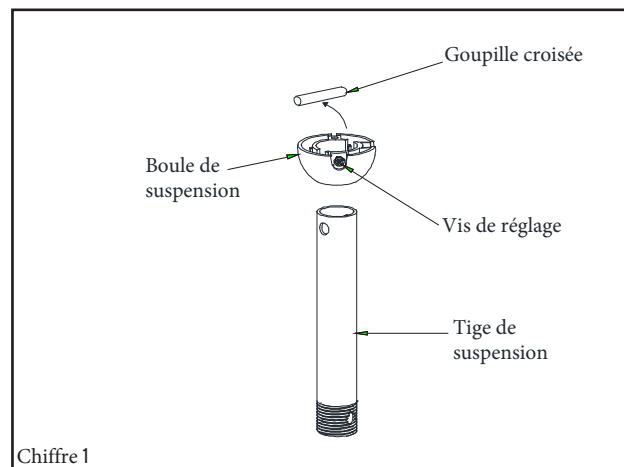
- 1 Localisez la solive de plafond où le ventilateur doit être monté, en vous assurant que l'emplacement est conforme aux exigences de la section de dégagement minimum de ce guide. Les solives de bois doivent être solides et de taille adéquate pour supporter 35 livres (Voir page 2, items 3 et 4).
- 2 S'il n'est pas déjà présent, montez une boîte de sortie homologuée UL marquée "adapté au support de ventilateur" en suivant les instructions fournies avec la boîte de sortie. La boîte de sortie doit pouvoir supporter un minimum de 35 livres.
- 3 Retirez l'anneau de la canopée de la canopée en tournant l'anneau dans le sens antihoraire jusqu'à ce qu'il se déverrouille. Retirez le support de montage de la verrière en desserrant les quatre vis sur le dessus de la verrière. Retirez les deux vis non fendues et desserrez les vis fendues. Cela vous permettra de retirer le support de montage.
- 4 Fixez le support de suspension à la boîte de sortie à l'aide des vis fournies avec la boîte de sortie.



## SUSPENDRE LE VENTILATEUR

AVERTISSEMENT : Assurez-vous que la goupille transversale est bien installée sur la boule de suspension avec la tige de suspension

- 1 Retirez la boule de suspension de la tige de suspension en desserrant la vis de réglage sur le côté de la boule de suspension. Faites glisser la boule de suspension vers le bas et retirez la goupille transversale. (Fig. 1)
- 2 Soutenez soigneusement le corps du ventilateur (moteur) dans son emballage avec le collier de montage (d'où sortent les fils) vers le haut.
- 3 Desserrez la vis de réglage de sécurité et retirez la goupille de la tige de suspension et la goupille fendue de l'accouplement sur le dessus de l'ensemble moteur. (Fig. 2)
- 4 Faites passer avec précaution les fils électriques et le câble de sécurité du ventilateur à travers la tige de suspension. Vissez la tige de suspension dans le coupleur jusqu'à ce que les trous soient alignés. Insérez la goupille de la tige de suspension dans les trous du collier de montage et de la tige de suspension ; clipsez la goupille fendue dans le petit trou à l'extrémité de la goupille de la tige de suspension pour maintenir la tige de suspension en place.
- 5 Serrez solidement la vis de réglage contre la tige de suspension à l'aide d'un gros tournevis à tête plate pour assurer un ajustement serré contre la tige de suspension. Serrez les écrous contre le collier de montage.



## SUSPENSION DU VENTILATEUR (suite)

- 1 Glissez le couvercle de joug, l'anneau de garniture et l'auvent sur la tige de suspension. (Fig. 3)
- 2 Faites glisser la boule de suspension sur la tige de suspension, insérez la goupille transversale à travers la tige de suspension et serrez. Serrer la vis de réglage.

### REMARQUE:

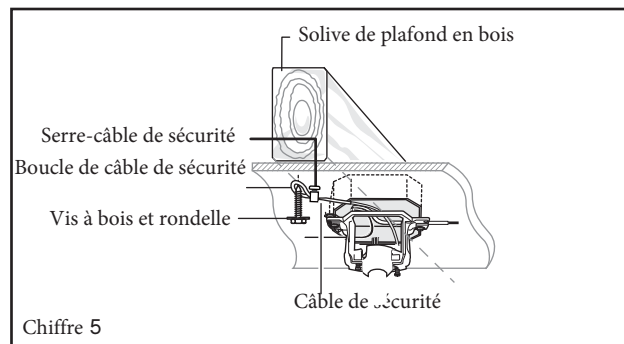
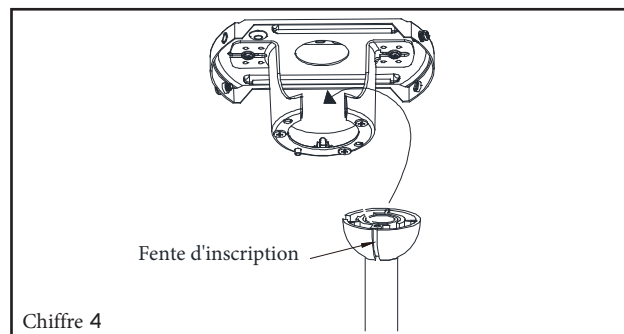
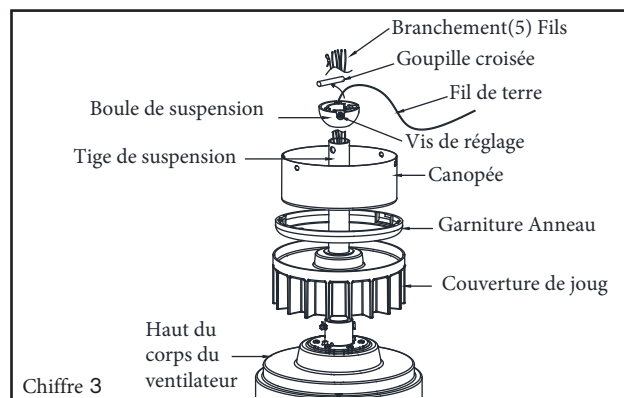
Le ventilateur a 6 pieds de fil de raccordement  
au cas où vous utiliseriez une longue tige de  
rallonge.

- 3 Soulevez la boule/la tige de suspension/le ventilateur dans l'ouverture du support de suspension.

REMARQUE : La languette opposée à l'ouverture du support de suspension doit s'insérer dans la fente de la boule. (Fig. 4)

### INSTALLATION DU SUPPORT DU CÂBLE DE SÉCURITÉ :

Fixez la vis à bois et la rondelle plate à la solive du plafond comme illustré (ne pas serrer complètement). Faites glisser le serre-câble sur le câble de sécurité du ventilateur. Enroulez le câble de sécurité autour de la vis à bois qui vient d'être fixée à la solive du plafond. Faites passer l'extrémité du câble dans la pince et tirez autant de câble que possible. Serrez fermement la vis dans la pince. Coupez l'excédent de câble.



# CONNEXIONS ELECTRIQUES

**N'OUBLIEZ PAS - Coupez l'alimentation !**

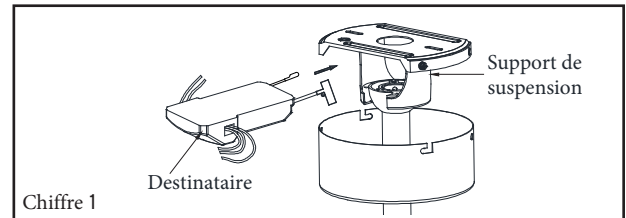
**REMARQUE :** La commande doit être installée à moins de 30 pieds du ventilateur.

**REMARQUE :** Pour des performances optimales à distance, gardez l'antenne WiFi séparée de l'antenne du récepteur.

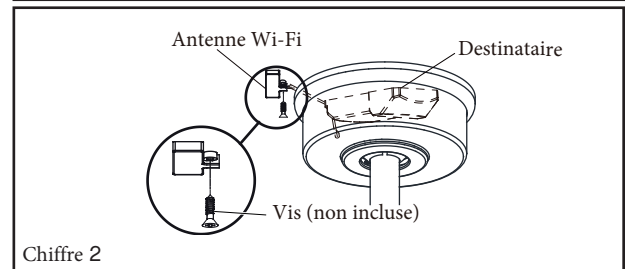
**AVERTISSEMENT :** Vérifiez que toutes les connexions sont bien serrées, y compris la mise à la terre, et qu'aucun fil dénudé n'est visible au niveau des serre-fils, à l'exception du fil de terre.

**ATTENTION :** Pour réduire le risque de choc électrique, ce ventilateur doit être installé avec une commande/interrupteur mural isolant.

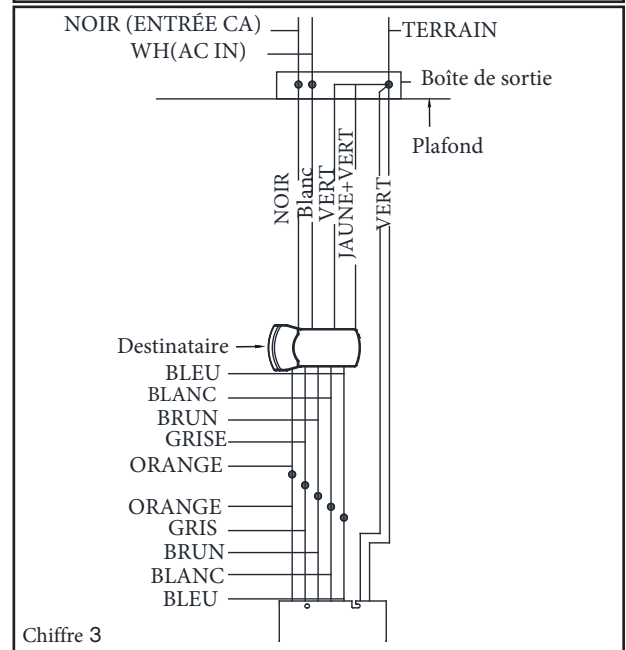
- 1 Insérez le récepteur dans le support de montage au plafond avec le côté plat du récepteur face au plafond. (Fig. 1) Pour de meilleures performances, assurez-vous que l'antenne noire et l'antenne Wi-Fi, à l'extrémité du récepteur, restent étendues et ne s'emmêlent avec aucun des fils électriques. Placez l'antenne Wi-Fi à l'extérieur de la verrière et collez-la/fixez-la au plafond.
- 2 Effectuez les connexions filaires entre le ventilateur et le récepteur. Pour cette étape utilisez le faisceau de 5 fils sur le récepteur. (Fig. 3) Connectez le fil BRUN du ventilateur au fil BRUN du récepteur. Connectez le fil GRIS du ventilateur au fil GRIS du récepteur. Connectez le fil neutre du ventilateur ORANGE au fil neutre du récepteur ORANGE. Connectez le fil neutre BLANC du ventilateur au fil neutre BLANC du récepteur. Connectez le fil neutre du ventilateur BLEU au fil neutre du récepteur BLEU. Connectez le câblage du plafond à l'unité de réception. (Utilisez le faisceau de 2 fils sur le récepteur.) Fixez avec les serre-fils fournis. Connectez le fil NOIR d'alimentation du bâtiment au fil NOIR du récepteur.
- 3 Connectez le fil neutre BLANC du récepteur au fil neutre BLANC du bâtiment. Connectez le fil de terre du bâtiment en CUIVRE aux 4 fils de terre JAUNE/VERT du ventilateur et du récepteur.



Chiffre 1



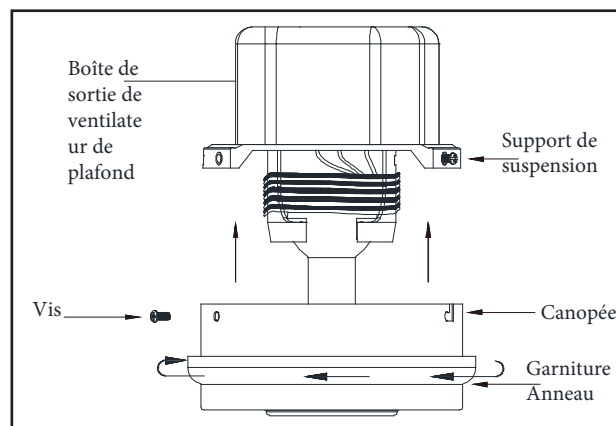
Chiffre 2



Chiffre 3

## FINITION DE L'INSTALLATION

- 1 Aligned les fentes de verrouillage de l'auvent de plafond avec les deux vis de la plaque de montage. Poussez vers le haut pour engager les fentes et tournez dans le sens des aiguilles d'une montre pour verrouiller en place. Serrez immédiatement et fermement les deux vis de montage. Installez les deux vis de montage restantes dans les trous de la verrière et serrez fermement.
- 2 Installez l'anneau de garniture en alignant les fentes de l'anneau avec les vis de la verrière. Tournez l'anneau de garniture dans le sens des aiguilles d'une montre pour le verrouiller en place.



### ATTENTION:

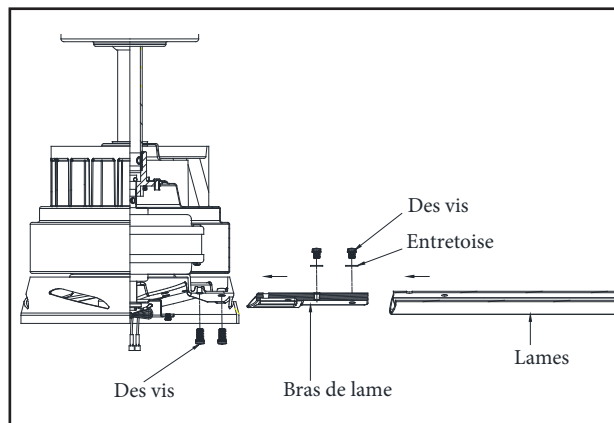
Assurez-vous que le crochet du support de suspension repose correctement dans la rainure de la boule de suspension avant de fixer l'auvent au support en tournant le boîtier jusqu'à ce qu'il tombe en place

## INSTALLATION DES LAMES

### REMARQUE:

Retirez tous les supports en caoutchouc qui sont installés pour l'expédition.

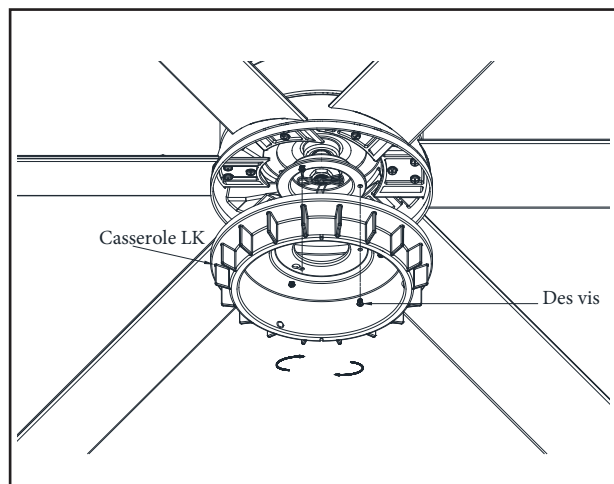
- 1 Installez la lame sur le support de lame à l'aide des vis et des entretoises fournies.
- 2 Serrez bien chaque vis.
- 3 Installez l'ensemble de lame sur le moteur en insérant le support de lame dans la fente du volant, en alignant les trous du support de lame avec les trous du volant, installez le support de lame avec les vis fournies. Bien serrer la vis.
- 4 Répétez les étapes 1, 2 et 3 pour les lames restantes.



## INSTALLATION DU PAN DU KIT D'ÉCLAIRAGE

ATTENTION : Pour réduire le risque de choc électrique, débranchez le circuit d'alimentation électrique du ventilateur avant d'installer le kit d'éclairage.

- 1 Desserrez mais ne retirez pas deux des trois vis de montage du moteur du ventilateur ; Retirez une vis de montage.
- 2 Poussez le plateau du kit d'éclairage jusqu'à l'assemblage du moteur du ventilateur de sorte que les deux têtes de vis desserrées s'insèrent dans les fentes en trou de serrure. Tournez le plateau du kit d'éclairage dans le sens des aiguilles d'une montre, serrez les vis. Réinstallez la vis qui a été retirée à l'étape 1 et serrez fermement.

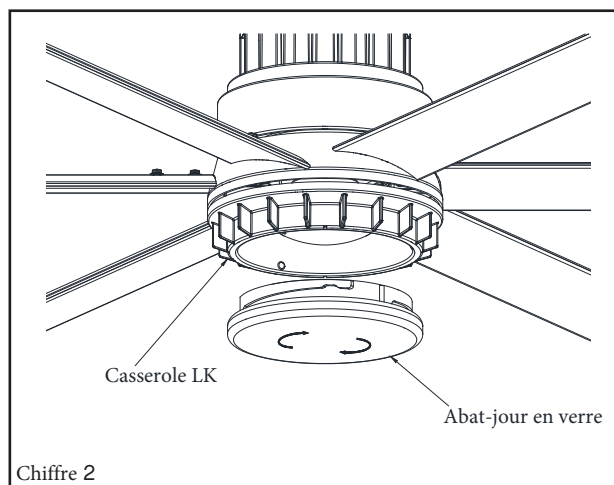
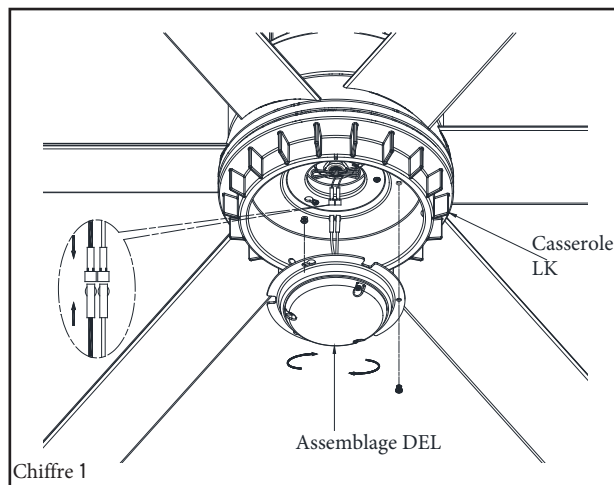




## INSTALLATION DE L'ENSEMBLE LED ET DE L'ABAT-JOUR EN VERRE

ATTENTION : Pour réduire le risque de choc électrique, débranchez le circuit d'alimentation électrique du ventilateur avant d'installer le kit d'éclairage.

- 1 Retirez une vis du plateau du kit d'éclairage et desserrez, mais ne retirez pas les deux autres vis. Connectez les fils de l'ensemble de montage du kit d'éclairage aux fils de l'ensemble du moteur du ventilateur en connectant les fiches d'adaptateur moulées ensemble. Rentrez soigneusement tous les fils et les épissures dans le capuchon de l'interrupteur.
- 2 Poussez l'ensemble du kit d'éclairage vers le haut de sorte que les deux têtes de vis desserrées s'insèrent dans les fentes en trou de serrure. Tournez l'ensemble du kit d'éclairage dans le sens des aiguilles d'une montre, serrez les vis. Réinstallez la vis qui a été retirée à l'étape 1 et serrez fermement.
- 3 Placez l'abat-jour en verre dans le plateau du kit d'éclairage, en alignant les trois zones plates sur le dessus de l'abat-jour en verre avec les trois fossettes en relief dans le plateau du kit d'éclairage. Tournez l'abat-jour en verre dans le sens des aiguilles d'une montre jusqu'à ce qu'il s'arrête.



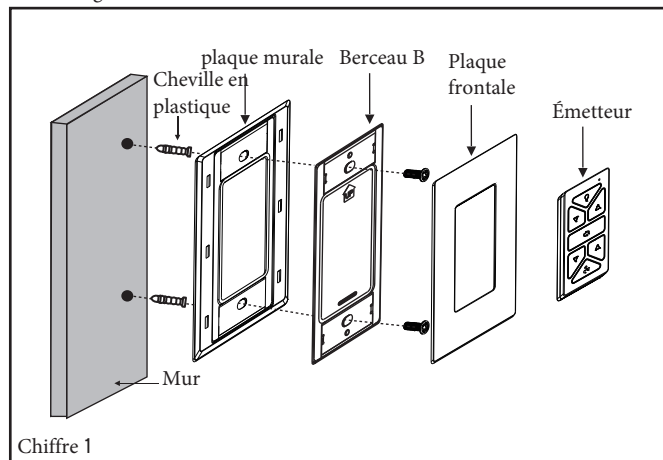
# INSTALLATION DE LA COMMANDE MURALE

N'OUBLIEZ PAS de couper l'alimentation avant de commencer.

REMARQUE : 1. La commande doit être installée à moins de 30 pieds du ventilateur. 2. Se fixe à n'importe quelle surface ou application : mur plat, boîte à un seul groupe, boîte à plusieurs groupes.

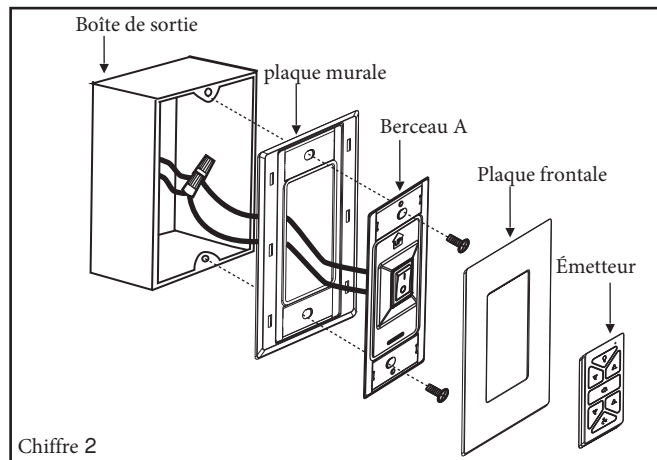
Option 1. Installation sur une surface plane

- 1 Sélectionnez un emplacement souhaité. Utilisez la plaque murale pour marquer l'emplacement des trous de montage. Des ancrages muraux en plastique ou des vis de montage sont nécessaires pour cette application. (Fig. 1)
- 2 Installez le berceau B dans la plaque murale. Fixez la plaque murale au mur à l'aide du matériel fourni.
- 3 Enclenchez le couvercle de la plaque frontale sur le support mural.
- 4 L'émetteur à distance sera maintenu en place avec des aimants intégrés.



Option 2. Pour boîte simple

- 1 Retirez la plaque murale existante et l'ancien interrupteur de la boîte de prise murale.
- 2 Installez le berceau A dans la plaque murale. (Fig. 2)
- 3 Connectez les fils conducteurs noirs de l'interrupteur du berceau A aux fils noirs du boîtier de l'interrupteur. Fil d'entrée sous tension vers l'un des fils de l'interrupteur du socle A. Le fil d'alimentation du ventilateur est connecté au fil restant de l'interrupteur.
- 4 Connectez l'ensemble plaque murale / berceau A à la boîte de prise murale à l'aide du matériel fourni.
- 5 Enclenchez le couvercle de la plaque frontale sur le support mural.
- 6 L'émetteur à distance sera maintenu en place avec des aimants intégrés.



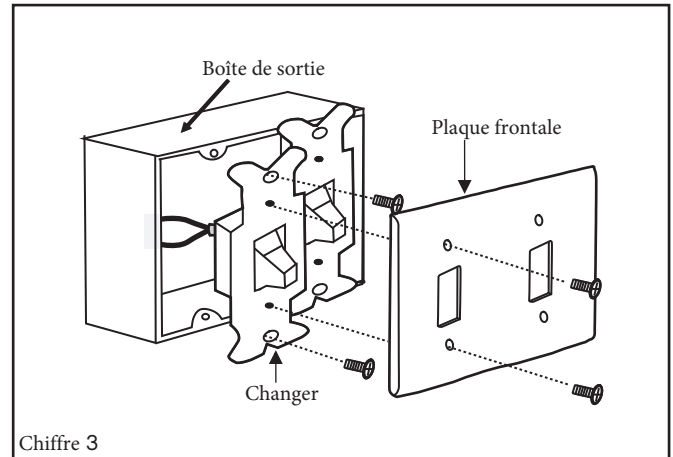
**HIRO** Système de contrôle HIRO

## INSTALLATION DE LA COMMANDE MURALE (suite)

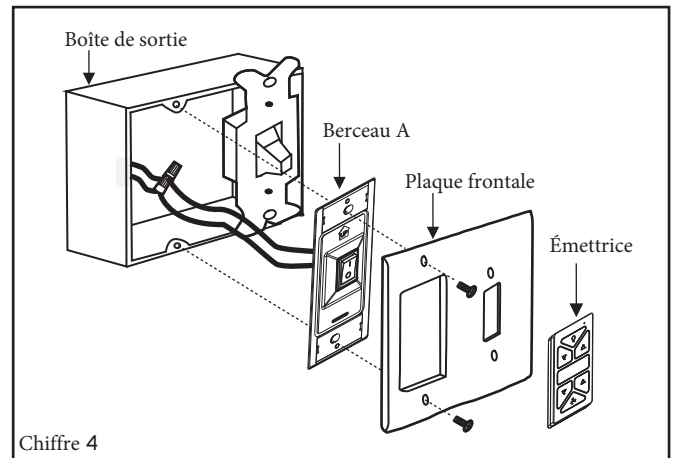
### Option 3. Pour boîtier d'interrupteur mural multi-gang

- 1 Retirez la plaque murale existante et l'ancien interrupteur de la boîte de prise murale. (Fig. 3)
- 2 Connectez les fils conducteurs noirs de l'interrupteur du berceau A aux fils noirs du boîtier de l'interrupteur. Fil d'entrée sous tension vers l'un des fils de l'interrupteur du socle. Le fil d'alimentation du ventilateur est connecté au fil restant de l'interrupteur. (Fig. 4)
- 3 Fixez le socle A au boîtier de l'interrupteur mural à l'aide du matériel fourni.
- 4 Fixez la plaque frontale multi-gang (non incluse) à l'ensemble d'interrupteurs dans la boîte de prise murale. Berceau Un interrupteur Hinkley s'adaptera à n'importe quelle plaque frontale Decora standard..

REMARQUE : l'émetteur à distance sera maintenu en place avec des aimants intégrés



 **HIRO** Système de contrôle HIRO



## OPÉRATION






Votre moteur CC sans balais est équipé d'une télécommande de type à apprentissage automatique. Il n'y a pas de commutateurs de fréquence sur le récepteur ou l'émetteur. Le ventilateur peut commencer à fonctionner une fois le processus d'appairage terminé.

Retirez le panneau de l'émetteur, puis installez une pile 2032 (incluse). Vous devez utiliser une pièce de monnaie pour ouvrir ou fermer le couvercle de la batterie. Pour éviter d'endommager l'émetteur, retirez la batterie si elle n'est pas utilisée pendant de longues périodes (Fig. 1)

 **AVERTISSEMENT** : risque de brûlure chimique. Gardez les piles hors de portée des enfants


Ce produit contient une pile bouton/bouton au lithium. Si une pile bouton/bouton au lithium neuve ou usagée est avalée ou pénètre dans le corps, elle peut provoquer de graves brûlures internes et entraîner la mort en moins de 2 heures. Fixez toujours complètement le compartiment à piles. Si le compartiment des piles ne se ferme pas correctement, arrêtez d'utiliser le produit, retirez les piles, et gardez-le hors de portée des enfants. Si vous pensez que des piles ont été avalées ou placées à l'intérieur d'une partie du corps, consultez immédiatement un médecin.

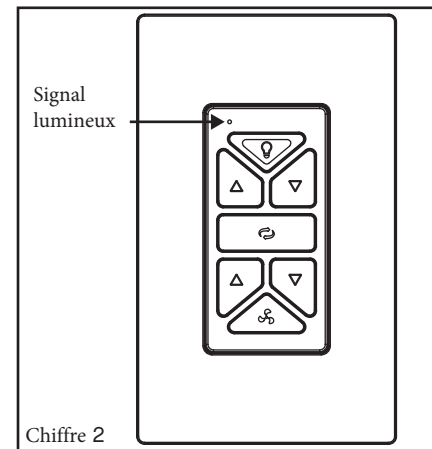
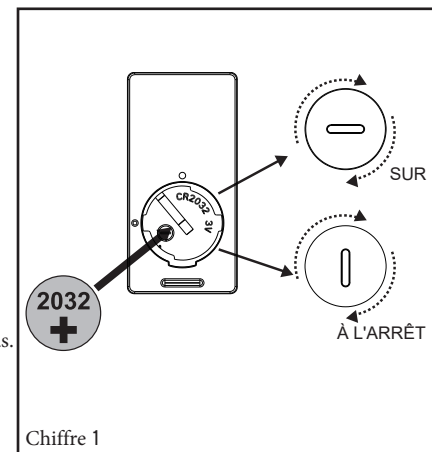
Les piles doivent être éliminées de manière appropriée, y compris en les gardant hors de portée des enfants ; Même les cellules utilisées peuvent causer des blessures.


-  bouton:  
Appuyez sur ce bouton et relâchez-le instantanément pour allumer ou éteindre la lumière
-  lumière bouton:  
Appuyez et maintenez pour atténuer ou augmenter les lumières au niveau désiré et relâchez.
-  bouton:  
Appuyez sur ce bouton pour régler la direction du vent du ventilateur vers le haut ou vers le bas.
-  bouton:  
Appuyez sur le bouton pour allumer et régler 1-6 vitesses de ventilateur.
-  bouton:  
Appuyez sur ce bouton pour allumer/éteindre le ventilateur. Signal lumineux (Fig. 2)

Processus d'appariement

**REMARQUE** : Si vous installez/jumelez plus d'un ventilateur dans une zone, l'alimentation doit être déconnectée de tous les ventilateurs, à l'exception du ventilateur jumelé.

Le ventilateur étant hors tension, rétablissez l'alimentation du ventilateur. Appuyez et maintenez le bouton "  " pendant environ 5 secondes et relâchez. Si le kit d'éclairage en option est installé, le kit d'éclairage clignote trois fois et le moteur tourne pendant 10 secondes à basse vitesse. Le ventilateur a terminé le processus d'appariement avec la commande murale et est prêt à l'emploi. **REMARQUE** : Un seul ventilateur peut être contrôlé avec jusqu'à 3 commandes murales en une pièce. Chaque contrôle devra répéter le processus d'appariement en fonction des instructions ci-dessus et tous les contrôles doivent être à moins de 30 pieds du ventilateur.

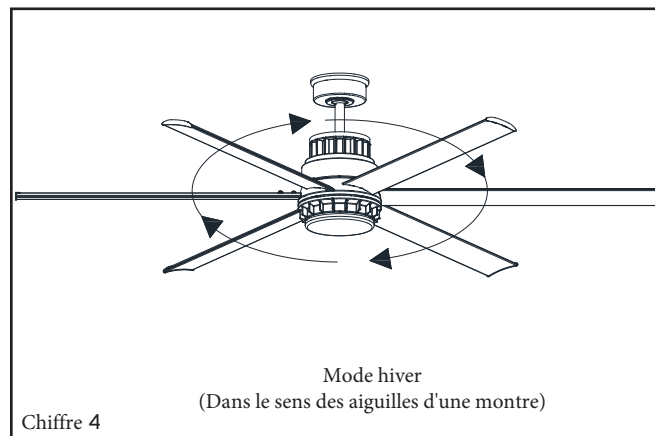
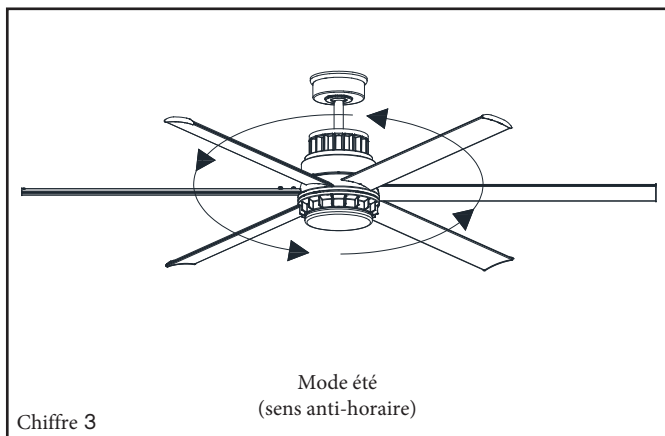


 **HIRO** Système de contrôle  
HIRO

## FONCTIONNEMENT (suite)

### Fonctionnement en mode été et en mode hiver

- 1 **IMPORTANT** : Pour activer la fonction d'inversion sur ce ventilateur, appuyez sur le bouton d'inversion pendant que le ventilateur est en marche.
- 2 **Mode été (avant)**:  
Un flux d'air **VERS LE BAS** crée un effet de refroidissement comme illustré à la Figure 3. Cela vous permet de régler votre climatiseur sur un réglage plus chaud sans affecter votre confort.
- 3 **Mode hiver (marche arrière)** :  
Un flux d'air **VERS LE HAUT** déplace l'air plus chaud hors de la zone du plafond, comme illustré à la figure 4. Cela vous permet de régler votre appareil de chauffage sur un réglage plus frais sans affecter votre confort.



## ENTRETIEN ET NETTOYAGE

Périodiquement, il peut être nécessaire de resserrer les vis du bras de la lame ou du bras de la lame sur le moteur pour éviter les cliquetis ou les bourdonnements pendant le fonctionnement. Cela est particulièrement vrai dans les climats avec de larges plages de température et d'humidité.

Lors du dépoussiérage des lames, vous devez soutenir la lame pour éviter qu'elle ne se plie - aucune pression ne doit être appliquée sur les lames. Si vous rencontrez des défauts dans le fonctionnement de votre ventilateur, veuillez vérifier les points suivants.

## DÉPANNAGE

### MISE EN GARDE:

Couper l'alimentation électrique avant d'effectuer l'une de ces vérifications

### PROBLÈME

Le ventilateur ne démarre pas

1. Vérifiez les disjoncteurs principaux et de dérivation et/ou les fusibles.
2. Vérifiez les connexions des fils de ligne au câblage du boîtier du ventilateur. Assurez-vous que l'interrupteur avant/arrière est réglé sur l'une ou l'autre position, et non coincé entre les deux.
3. Assurez-vous que les commutateurs DIP de l'émetteur et du récepteur sont réglés sur la même fréquence

Le ventilateur fait du bruit

1. Vérifiez et assurez-vous que toutes les vis du boîtier du moteur sont bien serrées (mais pas trop serrées).
2. Vérifiez que les vis fixant les bras de lame au moteur sont bien serrées.
3. Vérifiez que les connecteurs de fils dans le boîtier de l'interrupteur ne cliquent pas les uns contre les autres ou contre la paroi intérieure du boîtier de l'interrupteur.
4. Vérifiez que toute la verrerie est serrée à la main et que les ampoules sont bien maintenues dans les douilles, si un kit d'éclairage est utilisé.
5. Vérifiez que la verrière est fermement fixée au support de suspension et qu'elle ne vibre pas contre le plafond.

Les oscillations du ventilateur

1. Vérifiez que toutes les lames sont fermement vissées dans les bras de lames. Vérifiez que tous les bras de lame sont fermement fixés au moteur.
2. Assurez-vous que le kit d'éclairage (le cas échéant) est fermement fixé au boîtier de l'interrupteur et que toute la verrerie et les abat-jour sont correctement fixés. L'oscillation peut également résulter des plus petits écarts de distance entre l'extrémité de la lame et l'extrémité de la lame.
3. Si les mesures d'une pointe de lame à l'autre ne sont pas égales, desserrez les vis reliant la lame au bras de lame une à la fois et ajustez la ou les lames de manière à ce que les distances soient égales.
4. L'échange de lames adjacentes peut redistribuer la masse et entraîner un fonctionnement plus fluide. Les bras de la lame peuvent être légèrement pliés pour rétablir le même pas sur toutes les lames si une lame est différente des autres lames lorsqu'elles sont vues de côté.
5. La plupart des oscillations peuvent être attribuées à un boîtier électrique ou à un support de montage desserré. Assurez-vous qu'ils sont bien serrés et que la balle est complètement insérée dans le support.
6. Utilisez le kit d'équilibrage de lame fourni si l'oscillation de la lame est toujours perceptible.

**AVERTISSEMENT :** Pour réduire le risque de blessure, ne pliez pas le bras de pale lors de l'installation, de l'équilibrage des pales ou du nettoyage du ventilateur. N'insérez pas d'objets étrangers entre les pales du ventilateur en rotation.

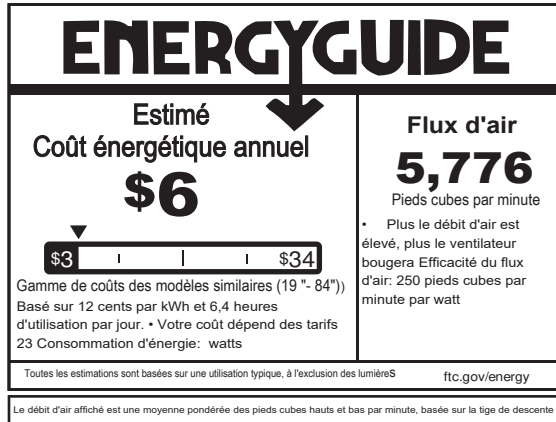
Dysfonctionnement de la télécommande

1. Ne raccordez pas le ventilateur à une ou plusieurs commandes murales à vitesse variable.
2. Assurez-vous que les commutateurs DIP sont correctement réglés.

## GUIDE ÉNERGIE

## CARACTÉRISTIQUES

### PERFORMANCES MOYENNES ET INFORMATIONS ÉNERGÉTIQUES



SPÉCIFICATIONS DE PERFORMANCES	LA NORME	
	HAUTE VITESSE	FAIBLE VITESSE
Débit d'air (PCM)	8389	2816
Consommation d'énergie (watts)	32.95	3.88
Efficacité du flux d'air (CFM/W)	254.5	725.7
Coûts énergétiques (annuels)	\$6	
Ampères	0.55	0.12
<b>RPMs</b>	143	50

## TÉLÉCHARGEMENT DE L'APPLICATION HINKLEY

### OPTIONS DE VENTILATEURS INTELLIGENTS HINKLEY :

En plus de la commande murale incluse, vous pouvez contrôler votre ventilateur Hinkley via l'application Hinkley.

- Pour utiliser l'application Hinkley, téléchargez-la gratuitement depuis l'App Store ou Google Play.
- Ouvrez l'application Hinkley où vous serez invité à créer un compte.
- Entrez toutes les informations nécessaires pour créer un compte.
- Une fois le compte créé, vous recevrez un e-mail de code de vérification pour terminer la configuration de l'application Hinkley (vérifiez le dossier spam si l'e-mail n'est pas reçu).
- Confirmez que Bluetooth est activé pour permettre au ventilateur et à l'application Hinkley de se connecter.
- Cliquez sur Ajouter un appareil sur l'écran d'accueil et sélectionnez le ventilateur souhaité.
- L'application Hinkley vous demandera alors d'entrer le nom et le mot de passe WiFi.
- Cliquez sur terminé sur l'application Hinkley pour terminer la connexion du ventilateur.
- L'application Hinkley aura des options sur l'écran principal pour les vitesses du ventilateur, la gradation et le réglage des minuteries.
- Scannez le code QR ci-dessous pour plus d'informations sur le fonctionnement de l'application Hinkley.



SCAN FOR ADDITIONAL DETAILS



HINKLEY EST FIER DE VOUS FOURNIR DES PRODUITS POUR VENTILATEURS DE PLAFOND QUI AMÉLIORENT VOTRE ESPACE AVEC CONFORT, BUT ET STYLE. EN TANT QU'ENTREPRISE FAMILIALE, NOUS SOMMES ENGAGÉS À LA CONCEPTION, À LA PERFORMANCE ET À LA QUALITÉ, ET CE QUI EST IMPORTANT POUR VOUS EST PARAMOND POUR NOUS. POUR UN ASSORTIMENT COMPLET DE NOS PRODUITS ET LIVRES SOURCE, CONSULTEZ [HINKLEY.COM](http://HINKLEY.COM).

# HINKLEY

GLOBAL HEADQUARTERS

33000 Pin Oak Parkway | Avon Lake, Ohio 44012

T (440) 653 5500 | F (440) 653 5555 | [hinkley.com](http://hinkley.com)