



CROFT

904052FBN-LIA

CROFT 52" LED FAN

DETAILS	
FAN FINISH:	Brushed Nickel
GLASS:	Etched Opal
BLADE COUNT:	5
SLOPE DEGREE:	20

DIMENSIONS	
WIDTH:	52"
HEIGHT:	13.5"

LIGHT SOURCE	
VOLTAGE:	120v

MOUNTING	
CANOPY:	6" Dia.
LEAD WIRE:	1 X 76"

SHIPPING	
CARTON LENGTH:	26.7
CARTON WIDTH:	13.2
CARTON HEIGHT:	9.5

Croft features a clean and modern design, but maintains its traditional feel featuring pull chain functionality and a high-quality LED light kit. Offered in three sizes in an array of finishes and blades, Croft is designed to suit any decor.

PRODUCT DETAILS:

- This item includes a 4.5" down rod. Other various lengths of down rods are available and sold separately to customize the installation height.
- Suitable for use in dry (indoor) locations as defined by NEC and CEC. Meets United States UL Underwriters Laboratories & CSA Canadian Standards Association Product Safety Standards.
- This item may be hung on a sloped ceiling
- Pull chain manual reverse, accessory controls available
- The Regency Series features a range of traditional ceiling fans designed to enhance a wide variety of spaces with ease.
- Reversible blades included
- LED components carry a 5-year limited warranty
- Motor carries a lifetime warranty

HINKLEY

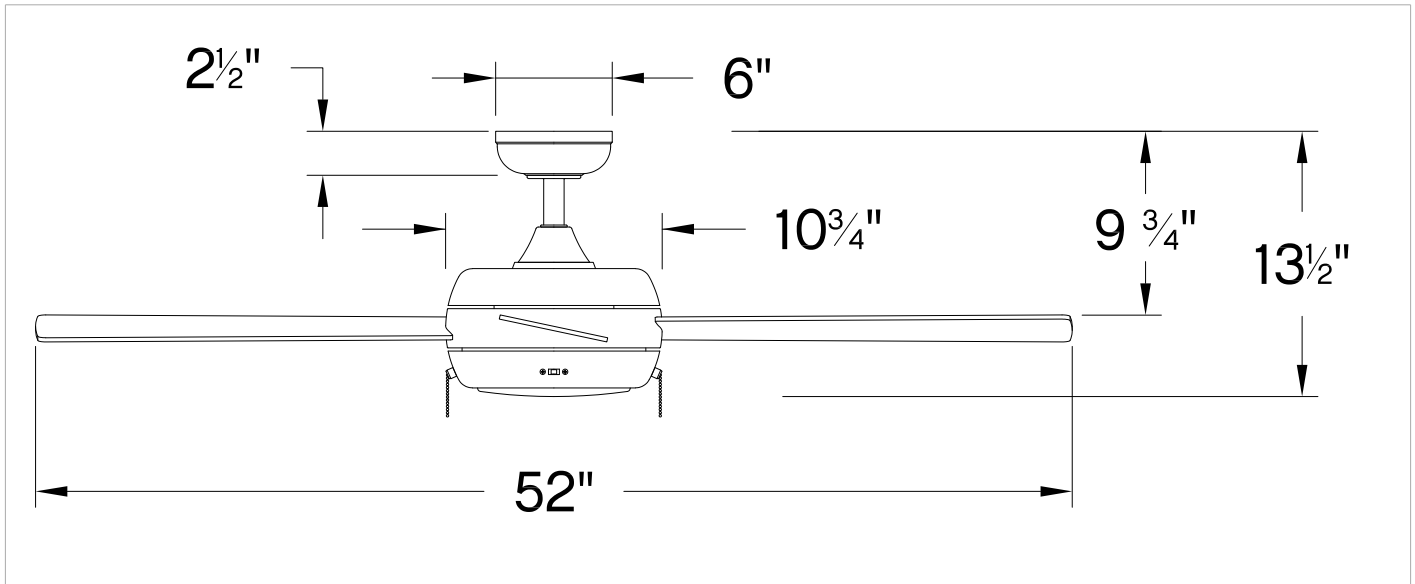
HINKLEY
33000 Pin Oak Parkway
Avon Lake, OH 44012

PHONE: (440) 653-5500
Toll Free: 1 (800) 446-5539

hinkley.com

CROFT 52" LED FAN

904052FBN-LIA



PERFORMANCE SPECIFICATIONS	STANDARD	
	HIGH SPEED	AVERAGE SPEED
Airflow	5039	3675
EnergyUse	64	41
EnergyCost	18	11
Efficiency	79	90
AMPS	0.53	0.4
RPMS	158	115

AVERAGE PERFORMANCE AND ENERGY INFORMATION

ENERGYGUIDE

Estimated
Yearly Energy Cost
\$11

\$3 | | | \$34

Cost Range of Similar Models (19" – 84")

- Based on 12 cents per kWh and 6.4 hours use per day
- **Your cost depends on rates and use**
- Energy Use: 41 Watts

All estimates based on typical use, excluding lights

Airflow
3,675
Cubic Feet Per Minute

- The higher the airflow, the more air the fan will move
- Airflow Efficiency: 90 Cubic Feet Per Minute Per Watt

ftc.gov/energy

Airflow Shown is a Weighted Average of High and Low Cubic Feet per Minute Based on Downrod

HINKLEY

HINKLEY
33000 Pin Oak Parkway
Avon Lake, OH 44012

PHONE: (440) 653-5500
Toll Free: 1 (800) 446-5539

hinkley.com