



CROFT

904042FMM-LIA

CROFT 42" LED FAN

DETAILS	
FAN FINISH:	Metallic Matte Bronze
GLASS:	Etched Opal
BLADE COUNT:	5
SLOPE DEGREE:	20

DIMENSIONS	
WIDTH:	42"
HEIGHT:	13.5"

LIGHT SOURCE	
VOLTAGE:	120v

MOUNTING	
CANOPY:	6" Dia.
LEAD WIRE:	1 X 76"

SHIPPING	
CARTON LENGTH:	23.2
CARTON WIDTH:	12.8
CARTON HEIGHT:	10.1

Croft features a clean and modern design, but maintains its traditional feel featuring pull chain functionality and a high-quality LED light kit. Offered in three sizes in an array of finishes and blades, Croft is designed to suit any decor.

PRODUCT DETAILS:

- This item includes a 4.5" down rod. Other various lengths of down rods are available and sold separately to customize the installation height.
- Suitable for use in dry (indoor) locations as defined by NEC and CEC. Meets United States UL Underwriters Laboratories & CSA Canadian Standards Association Product Safety Standards.
- This item may be hung on a sloped ceiling
- Pull chain manual reverse, accessory controls available
- The Regency Series features a range of traditional ceiling fans designed to enhance a wide variety of spaces with ease.
- Reversible blades included
- LED components carry a 5-year limited warranty
- Motor carries a lifetime warranty

HINKLEY

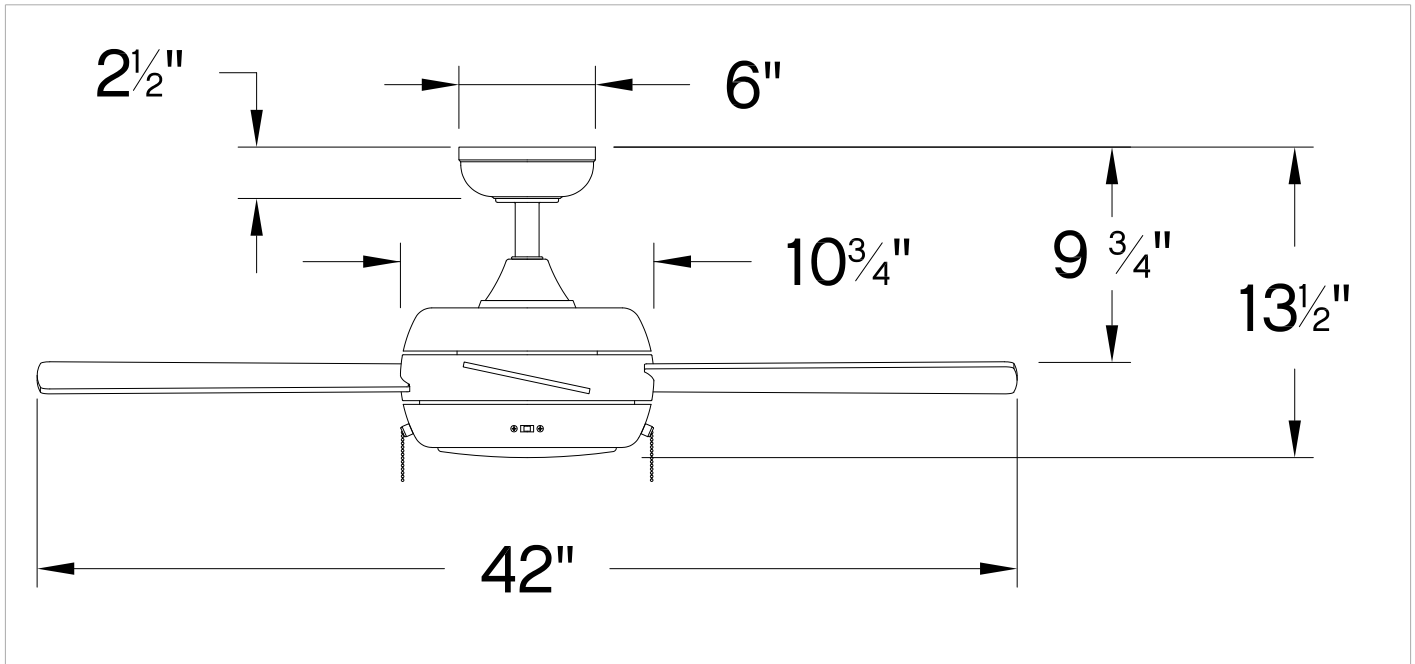
HINKLEY
33000 Pin Oak Parkway
Avon Lake, OH 44012

PHONE: (440) 653-5500
Toll Free: 1 (800) 446-5539

hinkley.com

CROFT 42" LED FAN

904042FMM-LIA



PERFORMANCE SPECIFICATIONS	STANDARD	
	HIGH SPEED	AVERAGE SPEED
Airflow	3742	2823
EnergyUse	50.1	33
EnergyCost	14	9
Efficiency	74	86
AMPS	0.44	0.33
RPMS	200	149

AVERAGE PERFORMANCE AND ENERGY INFORMATION

ENERGYGUIDE

**Estimated
Yearly Energy Cost**

\$9

\$3 | | | \$34

Cost Range of Similar Models (19" – 84")

• Based on 12 cents per kWh and 6.4 hours use per day
• **Your cost depends on rates and use**
• Energy Use: 33 Watts

Airflow

2,823

Cubic Feet Per Minute

• The higher the airflow, the more air the fan will move
• Airflow Efficiency: 86 Cubic Feet Per Minute Per Watt

All estimates based on typical use, excluding lights ftc.gov/energy

Airflow Shown is a Weighted Average of High and Low Cubic Feet per Minute Based on Downrod

HINKLEY

HINKLEY
33000 Pin Oak Parkway
Avon Lake, OH 44012

PHONE: (440) 653-5500
Toll Free: 1 (800) 446-5539

hinkley.com