



CHISEL

903752FMB-NDD

CHISEL 52" FAN

DETAILS	
FAN FINISH:	Matte Black
BLADE COUNT:	3
SLOPE DEGREE:	20

DIMENSIONS	
WIDTH:	52"
HEIGHT:	12"

LIGHT SOURCE	
VOLTAGE:	120v

MOUNTING	
CANOPY:	6" Dia.
LEAD WIRE:	1 x 76"

SHIPPING	
CARTON LENGTH:	28.4
CARTON WIDTH:	14.6
CARTON HEIGHT:	7.1

Built with a sleek, carefully crafted design, Chisel redefines dramatic style. Made of sturdy solid wood blades, Chisel is available in Matte Black with Walnut blades, Matte White with Weathered Wood blades and Graphite with Driftwood blades. Chisel is DAMP rated, making it perfect for both interior and outdoor settings.

PRODUCT DETAILS:

- This item includes a 6" down rod. Other various lengths of down rods are available and sold separately to customize the installation height.
- Suitable for use in damp locations as defined by NEC and CEC. Meets United States UL Underwriters Laboratories & CSA Canadian Standards Association Product Safety Standards.
- This item may be hung on a sloped ceiling
- Fan Control included, HIRO Control - 6 Speed Reversing
- WiFi compatible with included fan control
- Motor carries a lifetime warranty
- Blades, controls, switches, capacitors and hardware carry a 1-year warranty
- Bold lines and a clean, minimalist style creates a modern look

HINKLEY

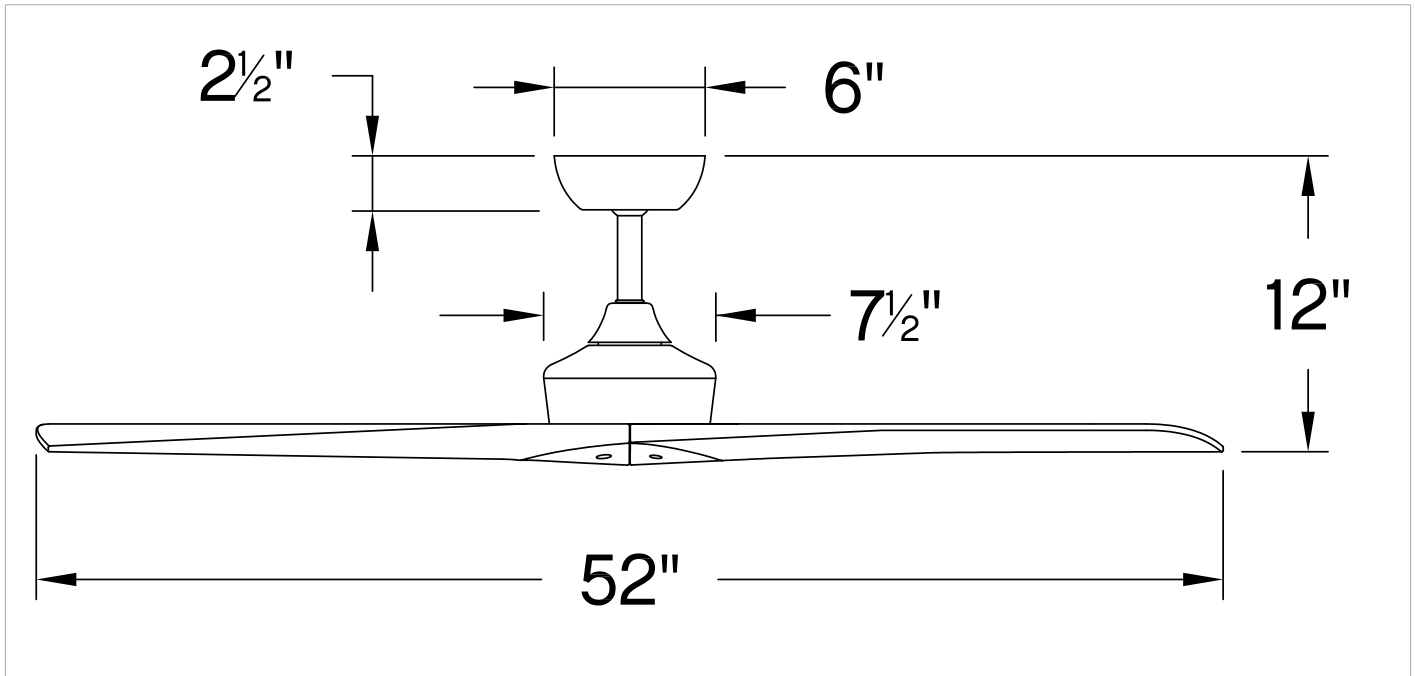
HINKLEY
33000 Pin Oak Parkway
Avon Lake, OH 44012

PHONE: (440) 653-5500
Toll Free: 1 (800) 446-5539

hinkley.com

CHISEL 52" FAN

903752FMB-NDD



PERFORMANCE SPECIFICATIONS	STANDARD	
	HIGH SPEED	AVERAGE SPEED
Airflow	6564	4404
EnergyUse	30	19
EnergyCost	8	5
Efficiency	219	233
AMPS	0.46	0.27
RPMS	222	138

AVERAGE PERFORMANCE AND ENERGY INFORMATION

ENERGYGUIDE

**Estimated
Yearly Energy Cost**

\$ 5

\$3
\$34

Cost Range of Similar Models (19" - 84")

- Based on 12 cents per kWh and 6.4 hours use per day
- Your cost depends on rates and use
- Energy Use: 19 Watts

All estimates based on typical use, excluding lights ftc.gov/energy

Airflow

4,404

Cubic Feet Per Minute

- The higher the airflow, the more air the fan will move
- Airflow Efficiency: 115 Cubic Feet Per Minute Per Watt

Airflow Shown is a Weighted Average of High and Low Cubic Feet per Minute Based on Downrod

HINKLEY

HINKLEY
33000 Pin Oak Parkway
Avon Lake, OH 44012

PHONE: (440) 653-5500
Toll Free: 1 (800) 446-5539

hinkley.com