



# AFTON

903552FCW-LIA

AFTON 52" LED FAN

| DETAILS       |             |
|---------------|-------------|
| FAN FINISH:   | Chalk White |
| GLASS:        | Etched Opal |
| BLADE COUNT:  | 5           |
| SLOPE DEGREE: | 20          |

| DIMENSIONS |       |
|------------|-------|
| WIDTH:     | 52"   |
| HEIGHT:    | 14.8" |

| LIGHT SOURCE |      |
|--------------|------|
| VOLTAGE:     | 120v |

| MOUNTING   |         |
|------------|---------|
| CANOPY:    | 6" Dia. |
| LEAD WIRE: | 1 x 76" |

| SHIPPING       |      |
|----------------|------|
| CARTON LENGTH: | 22.8 |
| CARTON WIDTH:  | 13   |
| CARTON HEIGHT: | 10.3 |

Clean and modern meets absolute practicality in Afton, making it the ultimate transitional ceiling fan. Afton is available in a robust lineup of finishes, including Chalk White with Chalk White blades, Satin Steel with Matte Black or Silver blades, Matte Black with Matte Black or Silver blades, Metallic Matte Bronze with Metallic Matte Bronze or Walnut blades. Afton is part of the Regency Collection.

## PRODUCT DETAILS:

- This item includes a 4.5" down rod. Other various lengths of down rods are available and sold separately to customize the installation height.
- Suitable for use in dry (indoor) locations as defined by NEC and CEC. Meets United States UL Underwriters Laboratories & CSA Canadian Standards Association Product Safety Standards.
- This item may be hung on a sloped ceiling
- The Regency Series features a range of traditional ceiling fans designed to enhance a wide variety of spaces with ease.
- LED components carry a 5-year limited warranty
- Motor carries a lifetime warranty
- Blades, controls, switches, capacitors and hardware carry a 1-year warranty
- Merging the best of traditional and modern elements, with a sophisticated and streamlined look

# HINKLEY

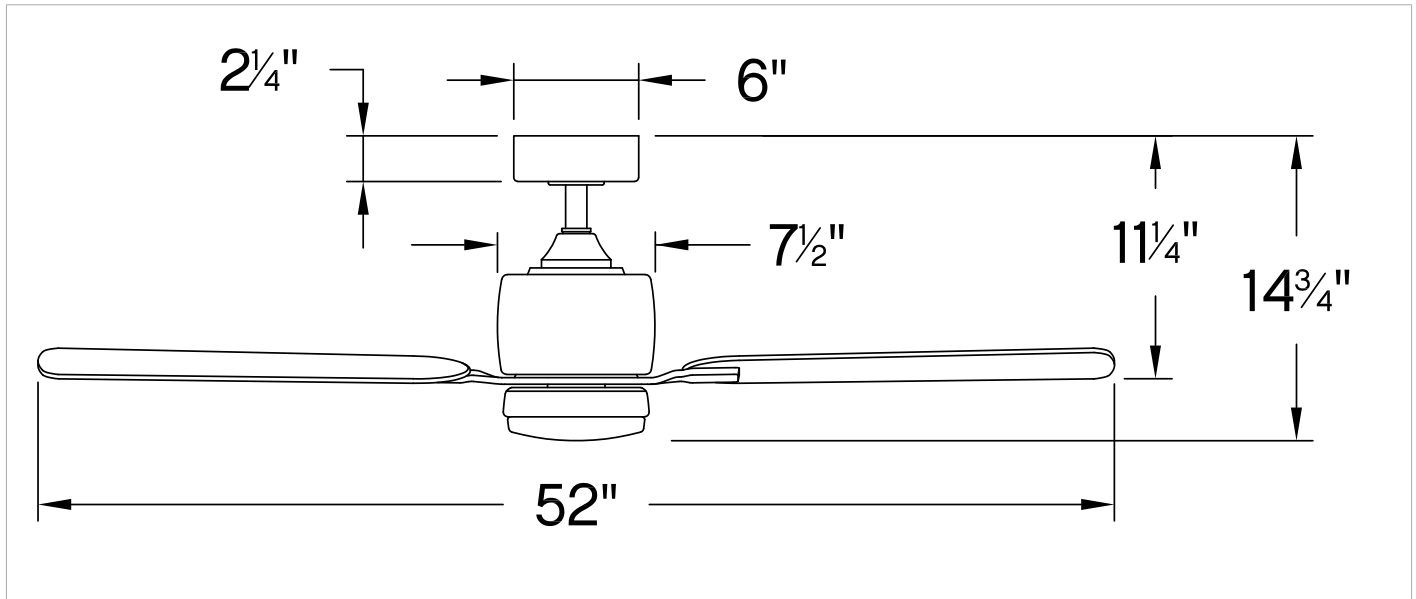
HINKLEY  
33000 Pin Oak Parkway  
Avon Lake, OH 44012

PHONE: (440) 653-5500  
Toll Free: 1 (800) 446-5539

hinkley.com

# AFTON 52" LED FAN

903552FCW-LIA



| PERFORMANCE SPECIFICATIONS | STANDARD   |               |
|----------------------------|------------|---------------|
|                            | HIGH SPEED | AVERAGE SPEED |
| Airflow                    | 4614       | 3162          |
| EnergyUse                  | 55         | 34            |
| EnergyCost                 | 15         | 9             |
| Efficiency                 | 84         | 94            |
| AMPS                       | 0.47       | 0.33          |
| RPMS                       | 146        | 101           |

## AVERAGE PERFORMANCE AND ENERGY INFORMATION

### ENERGYGUIDE

Estimated  
Yearly Energy Cost

## \$9

Cost Range of Similar Models (19" - 84")

\$3 
|
|
 \$34

• Based on 12 cents per kWh and 6.4 hours use per day  
 • Your cost depends on rates and use  
 • Energy Use: 34 Watts

Airflow

## 3,162

Cubic Feet Per Minute

• The higher the airflow, the more air the fan will move  
 • Airflow Efficiency: 93 Cubic Feet Per Minute Per Watt

All estimates based on typical use, excluding lights ftc.gov/energy

Airflow Shown is a Weighted Average of High and Low Cubic Feet per Minute Based on Downrod

# HINKLEY

HINKLEY  
33000 Pin Oak Parkway  
Avon Lake, OH 44012

PHONE: (440) 653-5500  
Toll Free: 1 (800) 446-5539

hinkley.com