

HINKLEY

52" AFTON™

INDOOR LED FAN



CEILING FAN INSTRUCTION MANUAL

WE WANT YOU TO LOVE YOUR NEW FAN

SO WE'RE HERE IF YOU HAVE A QUESTION, NEED SOME HELP OR WANT TO CHAT ABOUT OUR PRODUCTS. SEND SUGGESTIONS OUR WAY TOO—WE'RE ALWAYS LOOKING TO MAKE YOUR EXPERIENCE WITH HINKLEY A POSITIVE ONE.

> SERVICE@HINKLEY.COM

> [800.HINKLEY](tel:800.HINKLEY)

> [LET'S SEE THAT HINKLEY STYLE @HINKLEY](#)
[#HINKLEYSSTYLE](#)

This manual contains complete instructions for the installation and operation of this fan. It has been designed to make the installation process as easy as possible. If you are unfamiliar or uncomfortable with wiring, please contact a qualified electrician. If you need additional assistance or have any questions, please reach out to us.

For warranty information, visit hinkley.com.

TABLE OF CONTENTS

| | | | |
|----|---|----|--|
| 02 | GENERAL INSTALLATION & OPERATING INSTRUCTIONS | 11 | INSTALLING THE MONTING PLATE |
| 03 | IMPORTANT SAFETY PRECAUTIONS | 12 | INSTALLING THE LIGHT KIT AND GLASS SHADE |
| 03 | TOOLS & MATERIALS REQUIRED | 13 | OPERATION |
| 04 | UNPACKING YOUR FAN | 15 | CARE AND CLEANING |
| 05 | PREPARATION | 15 | TROUBLESHOOTING |
| 05 | INSTALLING THE HANGING BRACKET | 16 | ENERGY GUIDE |
| 06 | HANGING THE FAN | 16 | SPECIFICATIONS |
| 08 | ELECTRICAL CONNECTIONS | 16 | SMART BY BOND |
| 10 | FINISHING THE INSTALLATION | | |
| 11 | BLADE ATTACHMENT | | |

WARNING:

Read and follow these instructions carefully and be mindful of all warnings shown throughout.

GENERAL INSTALLATION & OPERATION INSTRUCTIONS

- 1 To ensure the success of the installation, be sure to read the instructions and review the diagrams thoroughly before beginning.
- 2 To avoid possible electric shock, be sure electricity is turned off at the main power box before wiring. All electrical connections must be made in accordance with local codes, ordinances and/or the National Electric Code. If you are unfamiliar with the methods of installing electrical wiring and products, secure the services of a qualified and licensed electrician as well as someone who can check the strength of the supportive ceiling members and make the proper installation(s) and connections.
- 3 **WARNING:** To reduce the risk of fire, electric shock, or other personal injury, mount fan only on an outlet box or supporting system marked acceptable for fan support of 35 lbs (15.9 kg) or less and use mounting screws provided with the outlet box. Most outlet boxes commonly used for the support of lighting fixtures are not acceptable for fan support and may need to be replaced. Consult a qualified electrician if in doubt.
- 4 Make sure that your installation site will not allow rotating fan blades to come in contact with any object. Blades should be at least 7 feet from floor.
- 5 Blades should be attached after motor housing is hung and in place. Fan motor housing should be kept in the carton until ready to be installed to protect its finish. If you are installing more than one ceiling fan, make sure that you do not mix fan blade sets, as each blade is part of a weighted set.
- 6 After making electrical connections, spliced conductors should be turned upward and pushed carefully up into outlet box. The wires should be spread apart with the common conductor and the grounding conductor on one side of the outlet box, and the "HOT" wires on the other side.
- 7 Electrical diagrams are for reference only. Light kits that are not packed with the fan must be UL listed and should be installed per the light kit's installation instructions.
- 8 After fan is completely installed, check to make sure that all connections are secure to prevent fan from falling and/or causing damage or injury.
- 9 The fan can be made to work immediately after installation - the bearings are adequately charged with grease so that, under normal conditions, further lubrication should not be necessary for the life of the fan.
- 10 Do not operate the reverse switch while the fan blades are in motion. The fan must be turned off and the blades stopped before reversing the blades direction.

IMPORTANT SAFETY PRECAUTIONS

WARNINGS:

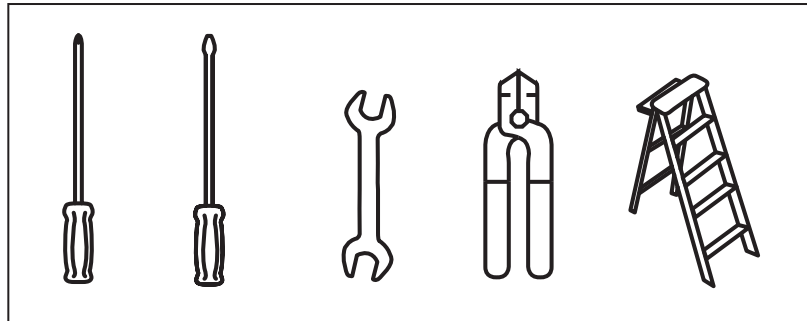
- Disconnect power by removing fuse or turning off circuit breaker before installing the fan and/or optional lighting.
- Support directly from building structure.
- To reduce the risk of fire, electric shock, or personal injury, mount to outlet box marked "acceptable for fan support" and use mounting screws provided with the outlet box. Most outlet boxes commonly used for the support of lighting fixtures are not acceptable for fan support and may need to be replaced. Consult a qualified electrician if in doubt.
- Do not use an incandescent light dimmer. Do not use this fan with any transformer type fan speed control device.
- To reduce the risk of personal injury, do not bend the blade arms when installing them, balancing the blades or cleaning the fan. Do not insert any objects(s) between rotating fan blades.

NOTE:

The important precautions, safeguards and instructions appearing in this manual are not meant to cover all possible conditions and situations that may occur. It must be understood that common sense, caution and carefulness are factors which cannot be built into this product. These factors must be supplied by the person(s) installing, caring for and operating the unit.

TOOLS & MATERIALS REQUIRED

- PHILLIPS SCREWDRIVER
- FLAT SCREWDRIVER
- WRENCH OR PLIERS
- WIRE CUTTER
- STEPLADDER
- WIRING SUPPLIES AS REQUIRED BY ELECTRICAL CODE



UNPACKING YOUR FAN

UNPACK YOUR FAN AND CHECK THE CONTENTS.

- Do not discard the carton. If warranty replacement or repair is ever necessary, the fan should be returned in original packing. Remove all parts and hardware. Do not lay motor housing on its side, or the decorative housing may shift, be bent or damaged.
- Examine all parts. You should have the following:

12

NOTE: Design of parts shown above may look slightly different for your specific model of fan.

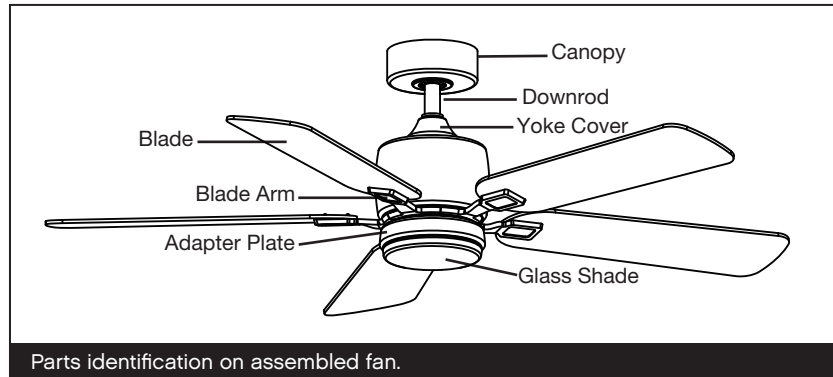
| VENTUS PACKAGE CONTENT | | |
|------------------------|---|--------------|
| 1 | Blade Set of 5 | BL903552Fxx |
| 2 | Hanging Bracket | CA900752Fxx |
| 3 | Ceiling Canopy and Trim Ring | |
| 4 | Downrod Asm. | DR94014Fxx |
| 5 | Yoke Cover | YC901458Fxx |
| 6 | Fan Housing with Motor *Remove rubber shipping supports around motor, if applicable. Save the screws. | x |
| 7 | Blade Arm Set of 5 | BLI903552Fxx |
| 8 | Adapter Plate | AP901458Fxx |
| 9 | 16W LED Assembly | E901458LED |
| 10 | Glass Shade | GL903552OPET |
| 11 | Wall switch. 2 mounting screws and 3 wire nuts, Wall plate w/2 mounting screws and 2 machine screws | 980008FWH |
| 12 | Hardware Bag | |
| | Bracket Mounting Hardware (wood screws, screws, lock washers, star washers, flat washers, wire nuts), Blade to Blade Arm Screws w/Fiber Washers and Nuts (13), Balance kit, Safety cable hardware (wood screw, flat washer) | MH903552Fxx |
| XX=FAN FINISH | | |

PREPARATION

PREPARATION:

Verify you have all parts before beginning the installation. Check foam insert closely for missing parts. Remove motor from packing. To avoid damage to finish, assemble motor on soft padded surface or use the original foam inset in motor box.

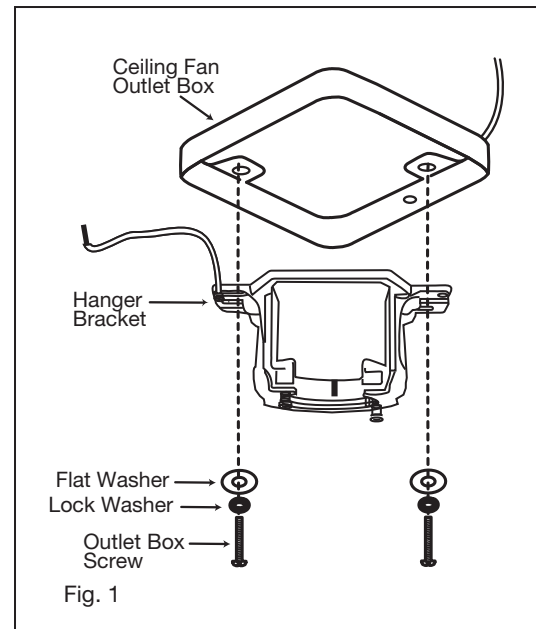
DO NOT LAY MOTOR HOUSING ON ITS SIDE AS THIS COULD RESULT IN SHIFTING OF MOTOR IN DECORATIVE ENCLOSURE.



INSTALLING THE HANGING BRACKET

CAUTION: To avoid possible electrical shock, be sure electricity is turned off at the main power box before wiring. All wiring must be in accordance with National and Local Electrical Codes and the ceiling fan must be grounded as a precaution against possible electric shock.

- 1 Locate ceiling joist where fan is to be mounted, being sure location agrees with the requirements in the minimum clearance section of this guide. Wood joists must be sound and of adequate size to support 35 pounds (See page 2, items 3 and 4).
- 2 If not already present, mount a UL listed outlet box marked "suitable for fan support" following the instructions provided with the outlet box. The outlet box must be able to support a minimum of 35 pounds.
- 3 Remove canopy from hanger bracket. Remove twist-lock trim ring by rotating counter-clockwise. Remove canopy screw that does not have key slot in canopy. Loosen screw with key slot and remove canopy.
- 4 Attach hanging bracket to outlet box using screws provided with the outlet box.



HANGING THE FAN

- 1 Remove ball from downrod by loosening set screw in the side of the ball. Slide ball down and remove ball pin; remove ball. (Fig. 1)
- 2 Carefully support fan body (motor) in its styrofoam packing with the mounting collar (where the wires come out) facing upward.
- 3 Loosen the two security set screws and remove the downrod pin instead of hitch pin from the coupling on top of the motor assembly. (Fig. 2)
- 4 Carefully feed the electrical lead wires and safety cable from the fan through the downrod. Thread downrod into coupler until holes align. Insert downrod pin through holes in mounting collar and downrod; clip cotter pin through small hole in end of downrod pin to hold downrod in place.
- 5 Tighten security set screws against downrod using a large flat blade screwdriver to ensure a tight fit against downrod. Tighten nuts against mounting collar.

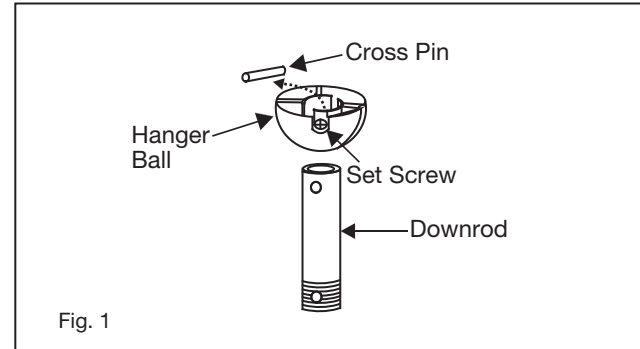


Fig. 1

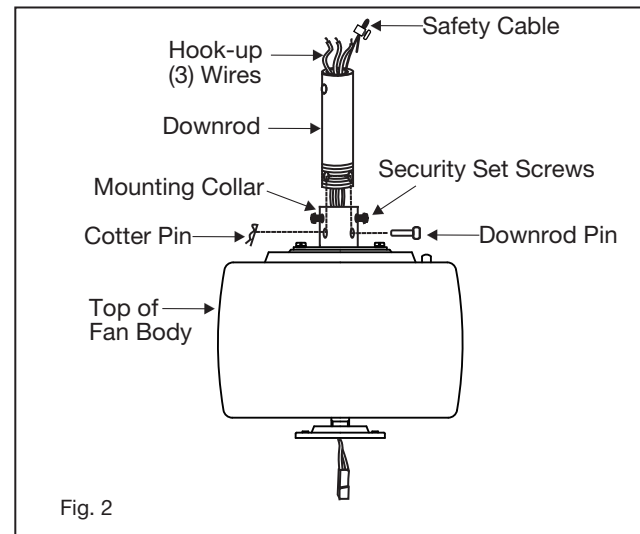


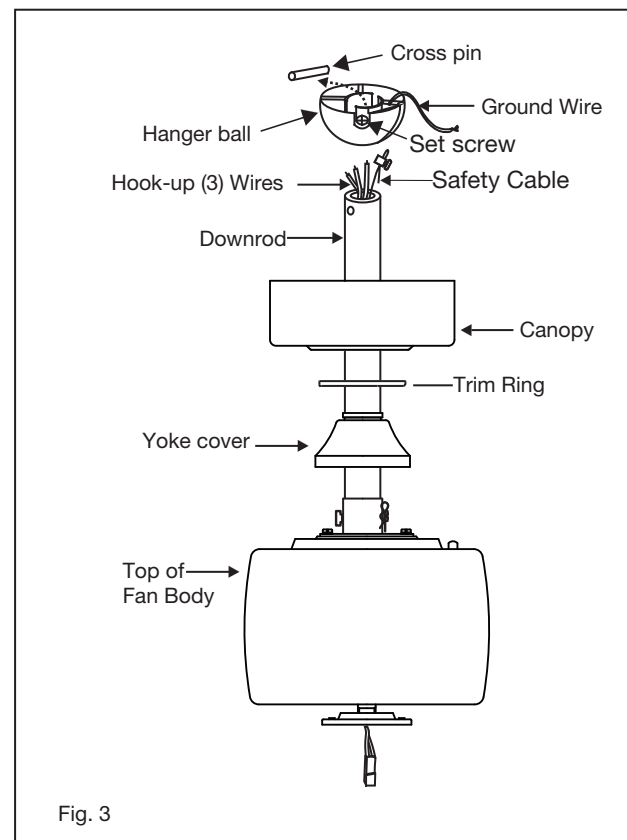
Fig. 2

- 1 Slip the yoke cover, trim ring and canopy onto the downrod. (Fig. 3)
- 2 Slide the hanger ball onto the downrod, insert the cross pin through the downrod and tighten. Tighten the set screw.

NOTE:

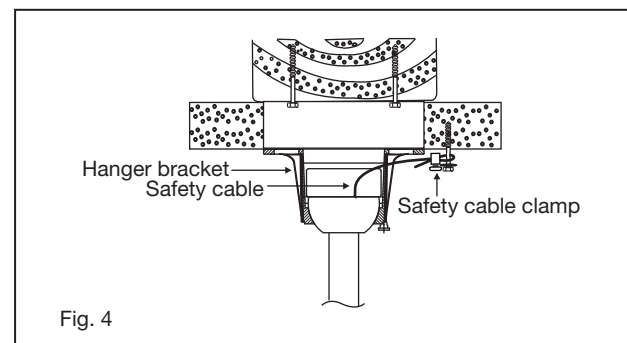
Fan has 6 feet of hook-up wire in case you are using a long extension downrod.

- 3 Lift ball/downrod/fan into hanger bracket opening. **NOTE:** The tab opposite hanger bracket opening should fit in slot on ball. (Fig. 4)
- 4 Make wire connections, (refer to section titled "Electrical Connections").
- 5 Slide canopy up and fasten to hanger bracket with 4 screws provided.



INSTALLATION OF SAFETY SUPPORT:

Attach the lag bolt and flat washer to ceiling joist. Attach the safety cable to lag bolt. Slide cable clamp onto safety cable (from fan). Place the end of cable through the lag bolt. Pull as much cable through lag bolt as possible. Feed end of cable into clamp hole and firmly tighten screw (Fig. 4). Cut off excess safety cable.



ELECTRICAL CONNECTIONS

ELECTRICAL CONNECTIONS: Be sure electricity is turned off at the main power box before wiring.

- 1 Disconnect the power and remove the existing wall plate and switch from the wall junction box. (Fig. 1)

WARNING:

To avoid possible electrical shock, be sure electricity is turned off at the main fuse or breaker box before wiring.

- 1 Connect the fan supply (black) wire to the black household supply wire as shown in Figure 2.
- 2 Connect the fan supply (blue) wire to the blue household supply wire as shown in Figure 2.
- 3 Connect the neutral fan (white) wire to the white neutral household wire (Figure 2).
- 4 After all splices are made, check to make sure there are no loose strands. As an additional precaution we suggest to secure the plastic wire connectors to the wires with electrical tape.

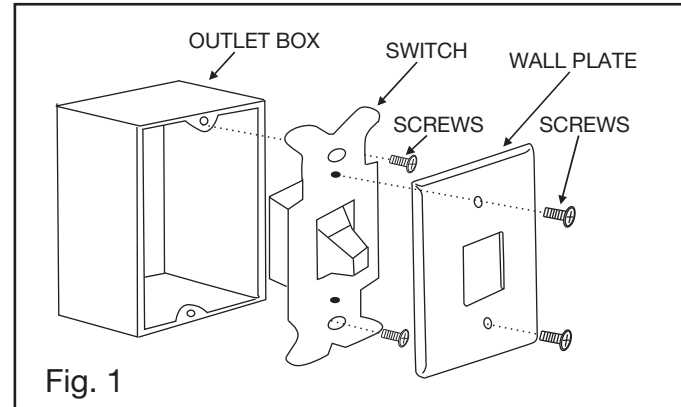


Fig. 1

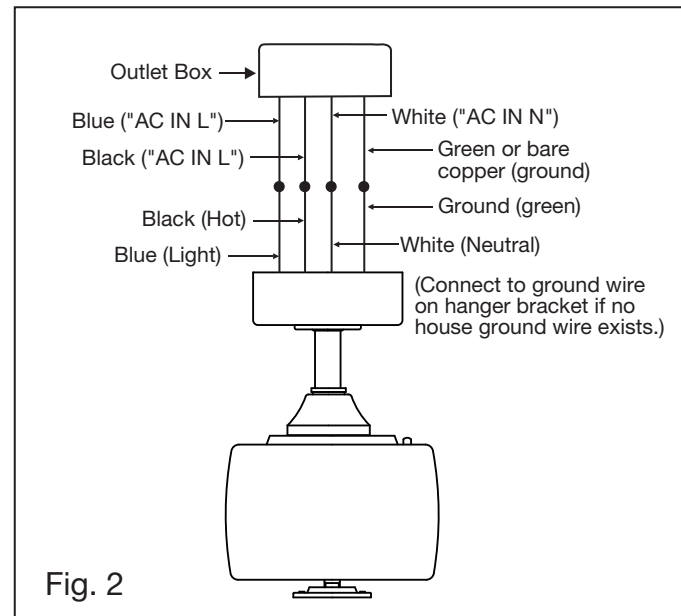


Fig. 2

NOTE: Be sure electricity is turned off at the main power box before wiring.

b. Connecting the wires from the wall switch to the wires from the wall outlet box. (Fig. 3 & 4)

- 1 Connect the black wire from the switch to the black wire from the wall outlet box.
- 2 Connect the blue wire from the switch to the blue wire from the wall outlet box.
- 3 Connect second black wire from switch to the black wire from the wall outlet box feeding to fan installation.
- 4 Connect the yellow/green striped wire from the switch to the ground terminal on the wall outlet box.

NOTE: If your outlet box has a ground wire (green or bare copper) connect the wall control's ground wire to it; otherwise connect the wall control's ground wire directly to one of the screws from the outlet box.

- 5 Carefully tuck the wire connections inside the junction box. Secure the wall switch with the two screws provided. (Fig. 4)
- 5 Attach the wall plate over the wall switch and secure with the two screws provided. (Fig. 4)

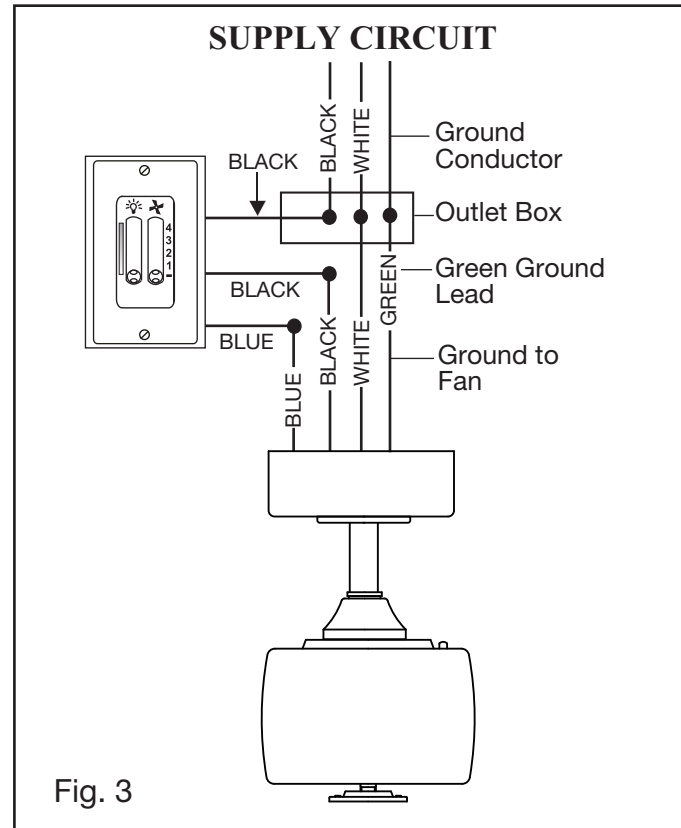


Fig. 3

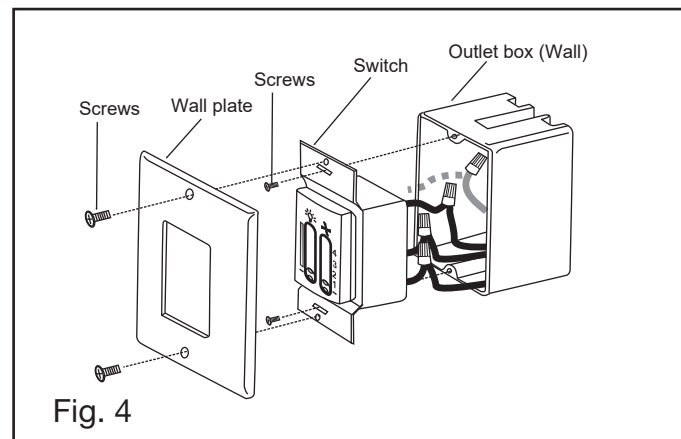
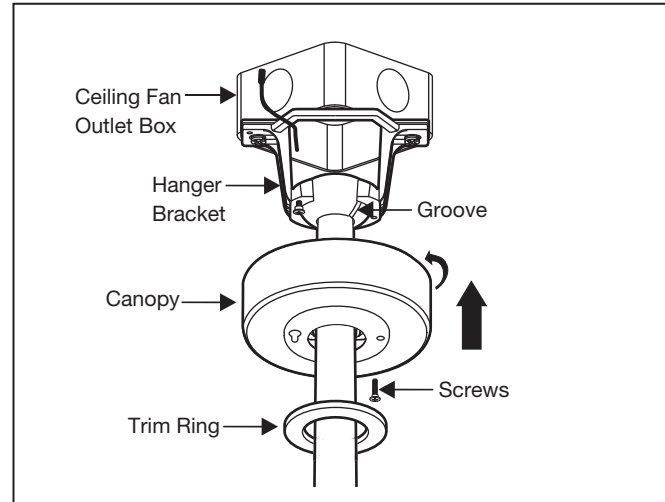


Fig. 4

FINISHING THE INSTALLATION

- 1 Tuck connections neatly into ceiling outlet box.
- 2 Slide the canopy up to mounting bracket and place the key hole on the canopy over the screw on the mounting bracket, turn canopy until it locks in place at the narrow section of the key holes.
- 3 Align the circular hole on canopy with the remaining hole on the mounting bracket, secure by tightening the two set screws.

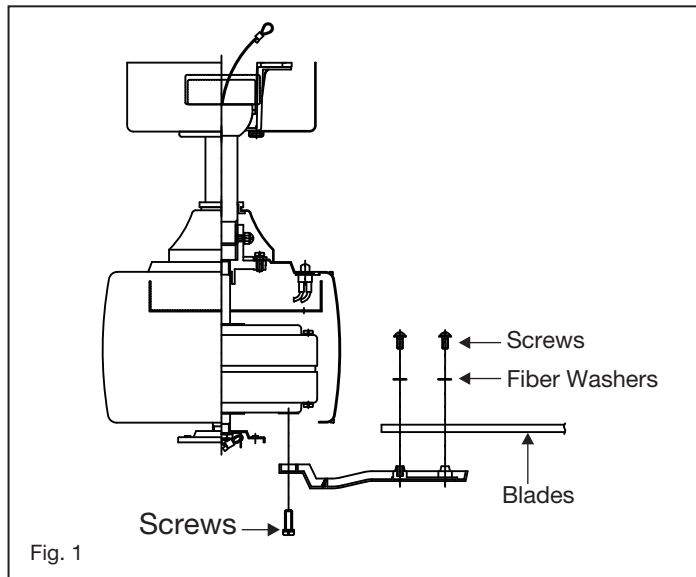
NOTE: Adjust the canopy screws as necessary until the canopy and trim ring are snug.



WARNING:

Make sure the hook on the hanging bracket properly sits in the groove in the hanger ball before attaching the canopy to the bracket by turning the housing until it drops into place.

INSTALLING THE BLADES

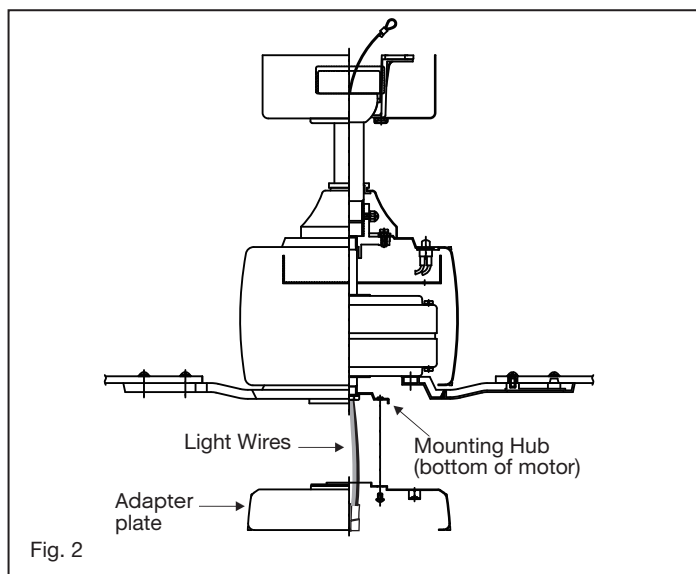


- 1 Place Fiber washer on screw. Insert this assembly through the blade and start the screw into the blade arm. Repeat this procedure without tightening the screw until all 3 screws have been started into the blade arm.
- 2 Tighten each screw starting with center screw.
- 3 Fasten blade assembly to motor with provided screws and lockwashers. Repeat procedure for remaining blades. Make sure screws are **TIGHT!** Loose motor screws can contribute to unnecessary hum during operation.

NOTE:

Cordless power screwdrivers are **NOT** recommended, as they usually strip the heads of the screws and usually will not fully compress the lock washers on the motor screws. Use a large flat blade screwdriver for final tightening to fully compress the washers. This will help ensure proper alignment of the blades and noise-free, wobble-free running.

INSTALLING THE MOUNTING PLATE



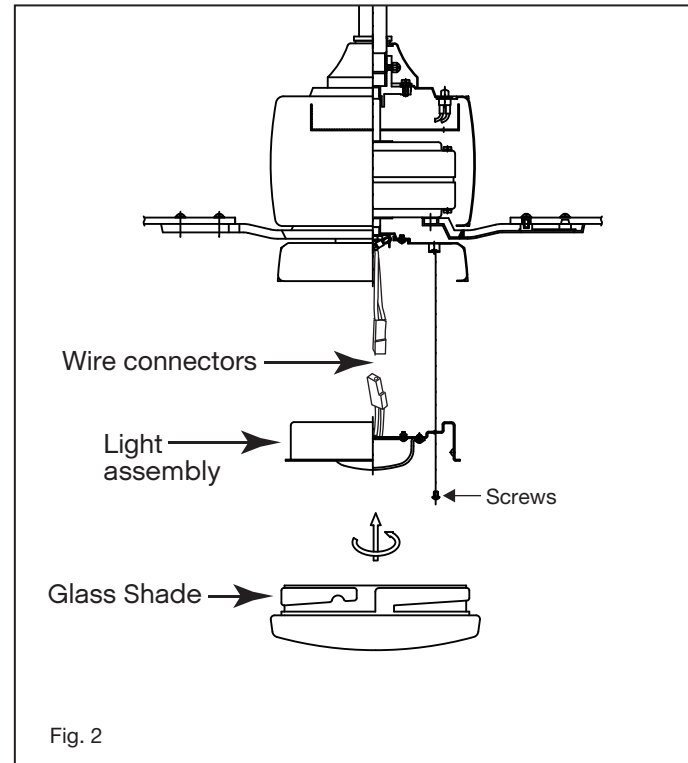
NOTE: Be sure the power is off before installing.

- 1 Remove one of the three screws on the mounting hub located on the fan motor. Loosen the other 2 screws. (Do not remove) (Fig. 1)
- 2 Pass the light wires through the center hole of the adapter plate.
- 3 Place the key holes on the adapter plate over the 2 screws previously loosened, turn the adapter plate until it locks in place at the narrow section of the key holes. Secure by tightening the 2 screws previously loosened and the one previously removed.

INSTALLING THE LED ASSEMBLY AND GLASS SHADE

NOTE: Be sure the power is off before installing.


- 1 Remove one of the three screws on the adapter plate located on the fan motor. Loosen the other 2 screws. (Do not remove) (Fig. 2)
- 2 While holding the LED assembly under your fan, make the polarized plug connections: (Fig. 2)
 - Red to white
 - Black to black
- 3 Tuck connections neatly into adapter plate. Place the key holes on the LED assembly over the 2 screws previously loosened, turn the LED assembly until it locks in place at the narrow section of the key holes. Secure by tightening the 2 screws previously loosened and the one previously removed.
- 4 Raise the glass shade against the LED assembly and turn clockwise until snug, DO NOT OVERTIGHTEN.
- 5 Restore power and your LED assembly is ready for operation.



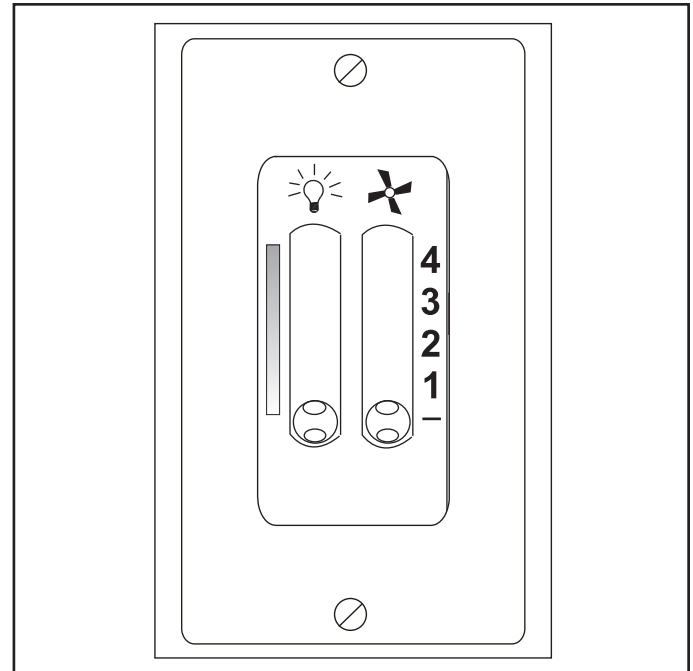
OPERATION

Restore power to ceiling fan and test for proper operation.
The fan 4-speed control is used to set the fan speed as follows:

- = Turns the fan off
- 1 = High Speed
- 2 = Medium High Speed
- 3 = Medium Speed
- 4 = Low Speed

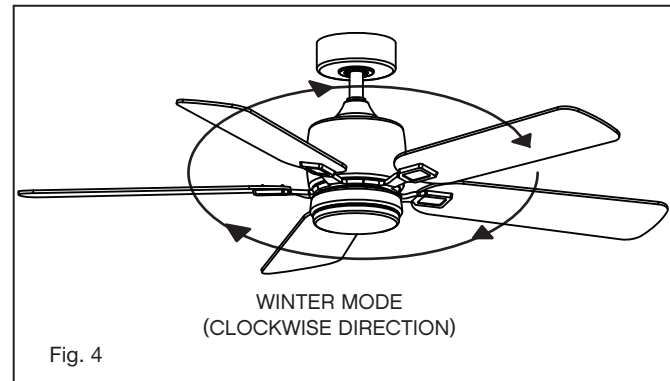
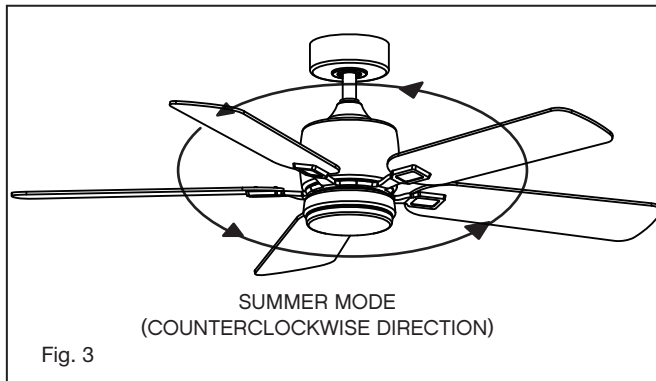
 Light Slide Switch: This Slider turns the light fixture ON or OFF and adjust the Brightness of the fixture. OFF is all the way down.

Speed settings for warm or cool weather depend on factors such as the room size, ceiling height, number of fans, etc.



Summer Mode and Winter Mode Operation

- 7 **IMPORTANT:** To prevent damage or cause injury, be sure that fan is switched to off and blades have stopped moving completely before attempting to change direction of rotation.
- 8 The reverse switch is located on the top of the motor housing. Slide the switch to the right for winter mode operation. Slide the switch to the left for summer mode operation. **Make sure switch is not stuck between forward and reverse positions.**
- 9 Summer Mode (forward):
A DOWNWARD airflow creates a cooling effect as shown in Figure 3. This allows you to set your air conditioner on a warmer setting without affecting your comfort.
- 10 Winter Mode (Reverse):
An UPWARD airflow moves warmer air off the ceiling area as shown in Figure 4. This allows you to set your heating unit on a cooler setting without affecting your comfort.



CARE AND CLEANING

Periodically it may be necessary to re-tighten blade to blade arm screws or blade arm to motor screws to prevent clicking or humming sound during operation. This is especially true in climates with broad temperature and humidity ranges.

When dusting the blades, you must support the blade to prevent bending - no pressure should be applied to the blades. If you experience any flaws in the operation of your fan, please check the following points.

TROUBLESHOOTING

CAUTION:

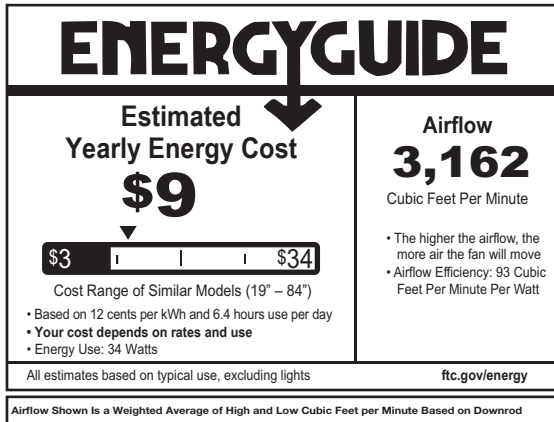
Switch off power supply before carrying out any of these checks.

| PROBLEM | SOLUTION |
|--------------------|--|
| FAN WILL NOT START | <ol style="list-style-type: none">1. Check circuit fuses or breakers.2. Check wall control LED indicator light. If LED is not illuminated when pushing a button, it is not transmitting a signal. Please check power to wall control/circuit breaker and all electrical connections.3. Assure there are no more than 2 fans operating on a circuit through the wall control. Assure that there are no more than 12 fans operating on a circuit through an on/off wall switch or a breaker (not through a wall control).4. Assure that the fan is within range of the WiFi (150 ft.) or wall control (30 ft.). |
| FAN SOUNDS NOISY | <ol style="list-style-type: none">1. Allow a 24-hour "breaking-in" period. Most noise associated with a new fan will disappear during this time.2. Make sure all motor housing screws are securely fastened.3. Make sure the screws that attach the fan blade to the fan are tight.4. Make sure your ceiling box is secure and rubber isolator pads are used between the mounting bracket and outlet box. |
| FAN WOBBLER | <ol style="list-style-type: none">1. Check that all blade and blade arm screws are secure.2. If the blade wobble is still noticeable, interchanging two adjacent (side by side) blades can redistribute the weight and possibly result in smoother operation.3. Check to assure all dowrods to motor hardware and/or hanger ball are tight.4. Make sure ceiling box is secure. |

ENERGY GUIDE

SPECIFICATIONS

AVERAGE PERFORMANCE AND ENERGY INFORMATION



| PERFORMANCE SPECIFICATIONS | STANDARD | |
|----------------------------|------------|-----------|
| | HIGH SPEED | LOW SPEED |
| Airflow (CFM) | 4614 | 1517 |
| Energy Use (Watts) | 55.0 | 9.3 |
| Airflow Efficiency (CFM/W) | 84 | 164 |
| Energy Costs (Yearly) | \$9 | \$ |
| Amps | 0.47 | 0.19 |
| RPMs | 146 | 55 |

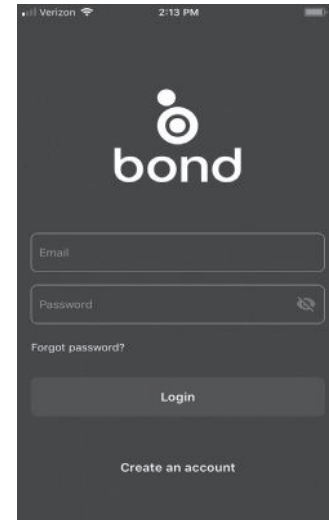
SMART BY BOND

HINKLEY SMART FAN OPTIONS:

In addition to the included wall control, you can control your Hinkley fan through the Bond app.

- To use the app, download it for free from the App Store or Google Play.
- Open the app to create your account. You can also login with your Facebook or Google account.
- Next, set up a WiFi connection. You will need the SSID and WiFi password for the network you want to connect to.
- You will receive a prompt to choose the finish of your fan and name your fan device.
- The app will walk you through the main screen and show you how to change fan speeds, dim the light, set timers or utilize breeze mode.

NOTE: Maximum of 2 fans can operate on a circuit through the wall control. Maximum of 12 fans can operate on a circuit through an on/off switch or breaker when utilizing the app for the fan control (without the wall control in the circuit).



<https://bondhome.io/app>

HINKLEY IS PROUD TO PROVIDE YOU WITH CEILING FAN PRODUCTS THAT ENHANCE YOUR SPACE WITH COMFORT, PURPOSE AND STYLE. AS A FAMILY COMPANY, WE ARE COMMITTED TO DESIGN, PERFORMANCE AND QUALITY, AND WHAT'S IMPORTANT TO YOU IS PARAMOUNT TO US.

FOR A COMPLETE ASSORTMENT OF OUR PRODUCTS AND SOURCE BOOKS, VISIT HINKLEY.COM.

HINKLEY

GLOBAL HEADQUARTERS

33000 Pin Oak Parkway | Avon Lake, Ohio 44012

T (440) 653 5500 | F (440) 653 5555 | hinkley.com

HINKLEY

52" AFTON™

VENTILADOR LED INTERIOR



MANUAL DE INSTRUCCIONES
PARA VENTILADORES DE
TECHO

QUEREMOS QUE AMES A TU NUEVO VENTILADOR

ASÍ QUE ESTAMOS AQUÍ SI TIENE UNA PREGUNTA,
NECESITA AYUDA O QUIERE HABLAR SOBRE NUESTROS
PRODUCTOS. ENVÍE SUGERENCIAS NUESTRO CAMINO
TAMBIÉN: SIEMPRE ESTAMOS BUSCANDO HACER QUE
SU EXPERIENCIA CON HINKLEY SEA POSITIVA.

> **SERVICE@HINKLEY.COM**

> **800.HINKLEY**

> **VAMOS A ESE ESTILO**
HINKLEY@HINKLEY #HINKLEYSTYLE

Este manual contiene instrucciones completas para la
instalación y operación de este ventilador. Ha sido
diseñado para hacer que el proceso de instalación sea
lo más fácil posible. Si no está familiarizado o no se
siente cómodo con el cableado, comuníquese con un
electricista calificado. Si necesita asistencia adicional o
tiene alguna pregunta, comuníquese con nosotros.

Para obtener información sobre la garantía, visite hinkley.com.

TABLA DE CONTENIDO

| | | | |
|----|---|----|-------------------------------------|
| 02 | INSTRUCCIONES GENERALES DE INSTALACIÓN Y FUNCIONAMIENTO | 11 | INSTALACIÓN DE LA PLACA DE MONTAJE |
| 03 | PRECAUCIONES IMPORTANTES DE SEGURIDAD | 12 | INSTALACIÓN DEL KIT DE LUZ Y VIDRIO |
| 03 | HERRAMIENTAS Y MATERIALES REQUERIDOS | 13 | OPERACIÓN |
| 04 | DESEMBALAJE SU VENTILADOR | 15 | CUIDADO Y LIMPIEZA |
| 05 | PREPARACIÓN | 15 | SOLUCIÓN DE PROBLEMAS |
| 05 | INSTALACIÓN DEL SOPORTE COLGANTE | 16 | GUÍA ENERGÉTICA |
| 06 | COLGANDO EL VENTILADOR | 16 | ESPECIFICACIONES |
| 08 | CONEXIONES ELÉCTRICAS | 16 | INTELIGENTE POR BOND |
| 10 | TERMINANDO LA INSTALACIÓN | | |
| 11 | ACCESORIO DE HOJA | | |

ADVERTENCIA:
Lea y siga estas instrucciones atentamente y tenga en cuenta todas las advertencias que se muestran a lo largo.

INSTRUCCIONES GENERALES DE INSTALACIÓN Y OPERACIÓN

- 1 Para garantizar el éxito de la instalación, asegúrese de leer las instrucciones y revisar los diagramas a fondo antes de comenzar.
- 2 Para evitar posibles descargas eléctricas, asegúrese de que la electricidad esté apagada en la caja de alimentación principal antes de realizar el cableado. Todas las conexiones eléctricas deben realizarse de acuerdo con los códigos, ordenanzas locales y / o el Código Eléctrico Nacional. Si no está familiarizado con los métodos de instalación de cableado y productos eléctricos, asegure los servicios de un electricista calificado y con licencia, así como de alguien que pueda verificar la resistencia de los miembros del techo de apoyo y realizar las instalaciones y conexiones adecuadas.
- 3 **ADVERTENCIA:** Para reducir el riesgo de incendio, descarga eléctrica u otras lesiones personales, monte el ventilador solo en una caja de salida o en un sistema de soporte marcado como aceptable para un soporte de ventilador de 35 lb (15.9 kg) o menos y use los tornillos de montaje provistos con la caja de salida. La mayoría de las cajas de salida comúnmente utilizadas para el soporte de accesorios de iluminación no son aceptables para el soporte del ventilador y pueden necesitar ser reemplazadas. Consulte a un electricista calificado si tiene dudas.
- 4 Asegúrese de que su sitio de instalación no permita que las aspas del ventilador giratorio entren en contacto con ningún objeto. Las cuchillas deben estar a un mínimo de 7 pies del piso.
- 5 Las cuchillas deben colocarse después de que la carcasa del motor esté colgada y colocada. La carcasa del motor del ventilador debe mantenerse en la caja hasta que esté lista para ser instalada para proteger su acabado. Si está instalando más de un ventilador de techo, asegúrese de no mezclar los conjuntos de aspas del ventilador, ya que cada aspa forma parte de un conjunto ponderado.
- 6 Después de hacer las conexiones eléctricas, los conductores empalmados deben girarse hacia arriba y empujarse con cuidado hacia la caja de salida. Los cables deben separarse con el conductor común y el conductor de tierra en un lado de la caja de salida, y el Cables "CALIENTES" en el otro lado.
- 7 Los diagramas eléctricos son solo de referencia. Los kits de luces que no están empacados con el ventilador deben estar en la lista UL y deben instalarse según las instrucciones de instalación del kit de luces.
- 8 Una vez que el ventilador esté completamente instalado, verifique que todas las conexiones estén seguras para evitar que el ventilador se caiga y / o cause daños o lesiones.
- 9 Se puede hacer que el ventilador funcione inmediatamente después de la instalación: los cojinetes están adecuadamente cargados de grasa para que, en condiciones normales, no sea necesaria una mayor lubricación durante la vida útil del ventilador.
- 10 Para operar la función de retroceso en este ventilador, presione el botón de retroceso mientras el ventilador está funcionando.

PRECAUCIONES IMPORTANTES DE SEGURIDAD

ADVERTENCIAS:

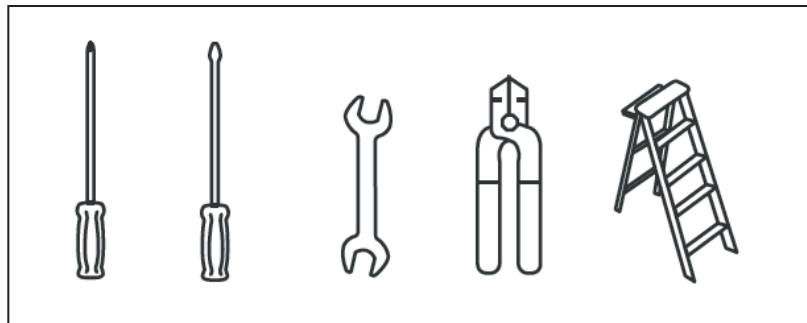
- Desconecte la energía quitando el fusible o apagando el interruptor de circuito antes de instalar el ventilador y / o la iluminación opcional.
- Apoyo directo desde la estructura del edificio.
- Para reducir el riesgo de incendio, descarga eléctrica o lesiones personales, monte en la caja de salida marcada como "aceptable para soporte del ventilador" y use los tornillos de montaje provistos con la caja de salida. La mayoría de las cajas de salida comúnmente utilizadas para el soporte de accesorios de iluminación no son aceptables para el soporte del ventilador y pueden necesitar ser reemplazadas. Consulte a un electricista calificado si tiene dudas.
- No utilice un atenuador de luz incandescente. No utilice este ventilador con ningún dispositivo de control de velocidad del ventilador de tipo transformador. To reduce the risk of personal injury, do not bend the blade arms when installing them, balancing the blades or cleaning the fan.
- No inserte ningún objeto (s) entre las aspas giratorias del ventilador.

NOTA:

Las precauciones, salvaguardas e instrucciones importantes que aparecen en este manual no están destinadas a cubrir todas las condiciones y situaciones posibles que puedan ocurrir. Debe entenderse que el sentido común, la precaución y el cuidado son factores que no se pueden incorporar a este producto. Estos factores deben ser proporcionados por la (s) persona (s) que instalan, cuidan y operan la unidad.

HERRAMIENTAS Y MATERIALES REQUERIDOS

- DESTORNILLADOR PHILLIPS
- DESTORNILLADOR PLANO
- LLAVE O ALICATES
- CORTADOR DE CABLES
- ESCALERA DE TIJERA
- SUMINISTROS DE CABLEADO SEGÚN REQUERIDO POR CÓDIGO ELÉCTRICO



DESEMBALAJE SU VENTILADOR

DESEMBALA TU VENTILADOR Y CONSULTA EL CONTENIDO

- No deseche la caja. Si alguna vez es necesario reemplazar o reparar la garantía, el ventilador debe devolverse en su embalaje original. Retire todas las piezas y hardware. No coloque la carcasa del motor de lado, ya que la carcasa decorativa podría moverse, doblarse o dañarse.
- Examine todas las partes. Deberías tener lo siguiente:

CONTENIDO DEL PAQUETE VENTUS

| | | |
|-----------------------|---|--------------|
| 1 | Juego de 5 cuchillas | BL903552Fxx |
| 2 | Soporte colgante | CA900752Fxx |
| 3 | Dosel de techo y anillo de moldura | |
| 4 | Montaje de varilla | DR94014Fxx |
| 5 | Cubierta del yugo | YC901458Fxx |
| 6 | Carcasa del ventilador con motor * Retire los soportes de goma para transporte alrededor del motor, si corresponde. Guarde los tornillos | x |
| 7 | Juego de 5 brazos de hoja | BLI903552Fxx |
| 8 | Placa adaptadora | AP901458Fxx |
| 9 | Montaje de LED de 16W | E901458LED |
| 10 | Pantalla de vidrio | GL903552OPET |
| 11 | Interruptor de pared. 2 tornillos de montaje y 3 tuercas para cables, Placa de pared con / 2 tornillos de montaje y 2 tornillos para metales | 980008FWH |
| 12 | Bolsa de hardware | |
| | Hardware de montaje del soporte (tornillos para madera, tornillos, arandelas de seguridad, arandelas de estrella, arandelas planas, tuercas de alambre), Tornillos de brazo de hoja a hoja con tuercas y arandelas de fibra (13), kit de equilibrio, Hardware del cable de seguridad (tornillo para madera, arandela plana) | MH903552Fxx |
| XX=ACABADO VENTILADOR | | |

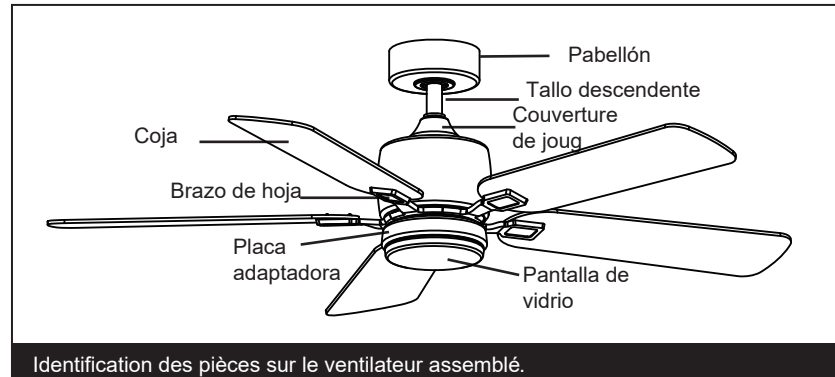
NOTA: El diseño de las piezas que se muestran arriba puede verse ligeramente diferente para su modelo específico de ventilador.

PREPARACIÓN

PREPARACIÓN:

Verifique que tenga todas las piezas antes de comenzar la instalación. Compruebe de cerca el inserto de espuma para ver si faltan piezas. Saque el motor del embalaje. Para evitar daños en el acabado, monte el motor sobre una superficie suave y acolchada o utilice el inserto de espuma original en la caja del motor.

NO COLOQUE LA CARCASA DEL MOTOR SOBRE SU LADO YA QUE ESTO PODRÍA RESULTAR EN EL DESPLAZAMIENTO DEL MOTOR EN EL CUBIERTO DECORATIVO.



Identification des pièces sur le ventilateur assemblé.

INSTALACIÓN DEL SOPORTE COLGANTE

PRECAUCIÓN: Para evitar posibles descargas eléctricas, asegúrese de que la electricidad esté apagada en la caja de energía principal antes de realizar el cableado. Todo el cableado debe estar de acuerdo con los códigos eléctricos nacionales y locales y el ventilador de techo debe estar conectado a tierra como medida de precaución contra posibles descargas eléctricas.

- 1 Ubique la viga del techo donde se instalará el ventilador, asegurándose de que la ubicación coincida con los requisitos de la sección de espacio libre mínimo de esta guía. Las vigas de madera deben ser sólidas y de tamaño adecuado para soportar 35 libras (vea la página 2, elementos 3 y 4).
- 2 Si aún no está presente, monte una caja de salida listada por UL marcada como "adecuada para soporte de ventilador" siguiendo las instrucciones proporcionadas con la caja de salida. La caja de salida debe poder soportar un mínimo de 35 libras.
- 3 Retire la capota del soporte de suspensión. Quite el anillo de ajuste de bloqueo giratorio girándolo en sentido antihorario. Quite el tornillo de la cubierta que no tiene una ranura para llave en la cubierta. Afloje el tornillo con la ranura de la llave y retire la cubierta.
- 4 Fije el soporte para colgar a la caja de salida con los tornillos que se proporcionan con la caja de salida.

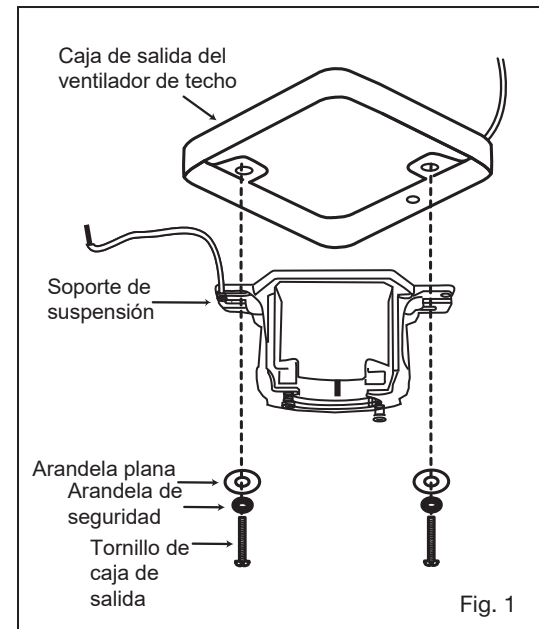
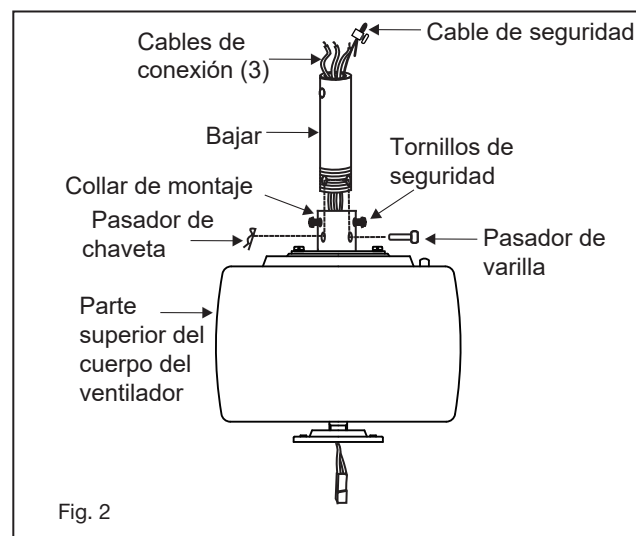
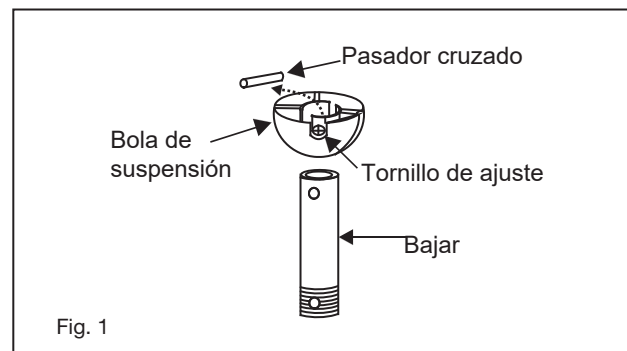


Fig. 1

COLGANDO EL VENTILADOR

- 1 Retire la bola de la varilla aflojando el tornillo de fijación en el costado de la bola. Deslice la bola hacia abajo y retire el pasador de bola; quitar la bola. (Figura 1)
- 2 Sujete con cuidado el cuerpo del ventilador (motor) en su empaque de espuma de poliestireno con el collar de montaje (por donde salen los cables) hacia arriba.
- 3 Afloje los dos tornillos de seguridad y retire el pasador de la varilla en lugar del pasador de enganche del acoplamiento en la parte superior del conjunto del motor. (Figura 2)
- 4 Pase con cuidado los cables eléctricos y el cable de seguridad del ventilador a través de la varilla. Enrosque la varilla en el acoplador hasta que los agujeros se alineen. Inserte el pasador de la varilla a través de los orificios en el collar de montaje y la varilla; Enganche el pasador de chaveta a través del pequeño orificio en el extremo del pasador de la varilla para mantener la varilla en su lugar.
- 5 Apriete los tornillos de seguridad contra la varilla con un destornillador grande de hoja plana para asegurar un ajuste firme contra la varilla. Apriete las tuercas contra el collar de montaje.



- 1 Deslice la cubierta del yugo, el anillo de ajuste y la capota sobre la varilla. (Fig. 3)
- 2 Deslice la bola de suspensión en la varilla, inserte el pasador transversal a través de la varilla y apriete. Apriete el tornillo de fijación.

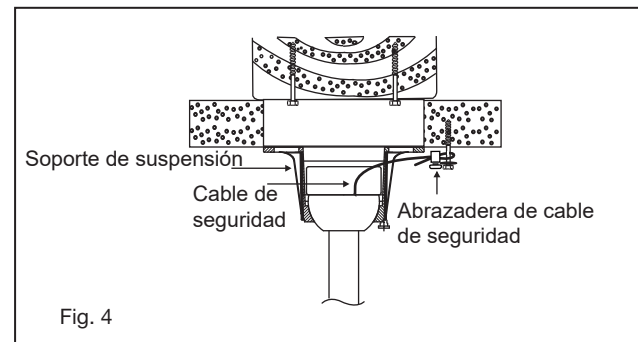
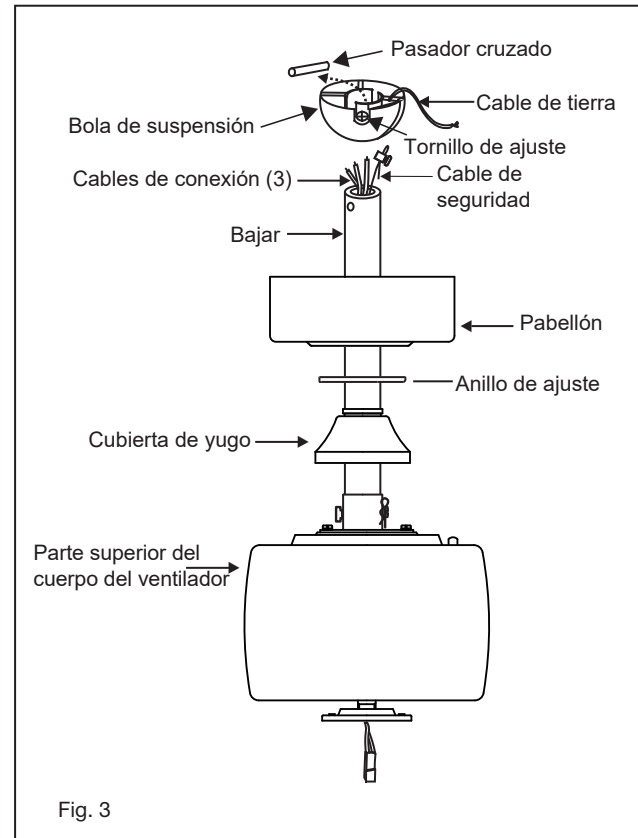
NOTA:

El ventilador tiene 6 pies de cable de conexión en caso de que esté usando una varilla de extensión larga.

- 3 Levante la bola / varilla / ventilador en la abertura del soporte de suspensión.
- 4 **NOTA:** La pestaña opuesta a la abertura del soporte de suspensión debe encajar en la ranura de la bola. (Figura 4)
Realice las conexiones de cables (consulte la sección titulada "Conexiones eléctricas").
- 5 Deslice el dosel hacia arriba y fíjelo al soporte de suspensión con los 4 tornillos incluidos.

INSTALACIÓN DE SOPORTE DE SEGURIDAD:

Fije el perno de retraso y la arandela plana a la viga del techo. Conecte el cable de seguridad al perno de retraso. Deslice la abrazadera del cable sobre el cable de seguridad (del ventilador). Coloque el extremo del cable a través del perno de retraso. Pase la mayor cantidad de cable posible a través del perno de retraso. Introduzca el extremo del cable en el orificio de la abrazadera y apriete firmemente el tornillo (Figura 4). Corte el cable de seguridad sobrante.



CONEXIONES ELÉCTRICAS

CONEXIONES ELÉCTRICAS: Asegúrese de que la electricidad esté apagada en la caja de energía principal antes de realizar el cableado.

- 1 Desconecte la alimentación y retire la placa de pared existente del interruptor de la caja de conexiones de la pared. (Figura 1)

ADVERTENCIA:

Para evitar posibles descargas eléctricas, asegúrese de que la electricidad esté apagada en el fusible principal o en la caja de interruptores antes de realizar el cableado.

- 1 Conecte el cable de suministro del ventilador (negro) al cable de suministro doméstico negro como se muestra en la Figura 2.
- 2 Conecte el cable de suministro del ventilador (azul) al cable de suministro doméstico azul como se muestra en la Figura 2.
- 3 Conecte el cable neutro (blanco) del ventilador al cable doméstico blanco neutro (Figura 2).
- 4 Después de realizar todos los empalmes, verifique que no haya hebras sueltas. Como precaución adicional, sugerimos asegurar los conectores de cables de plástico a los cables con cinta aislante.

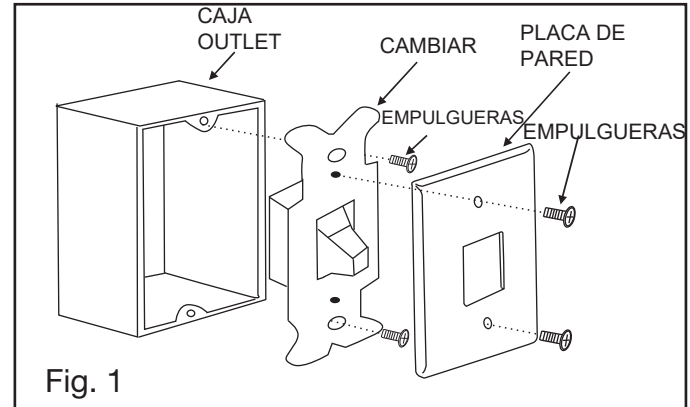


Fig. 1

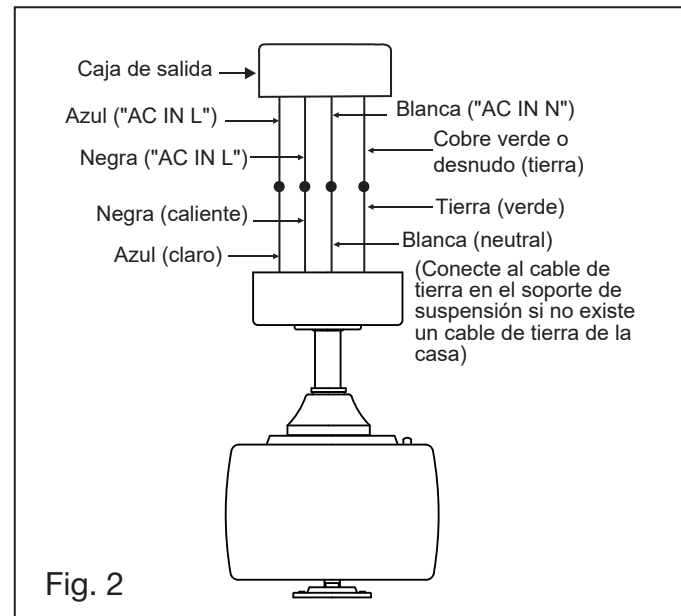


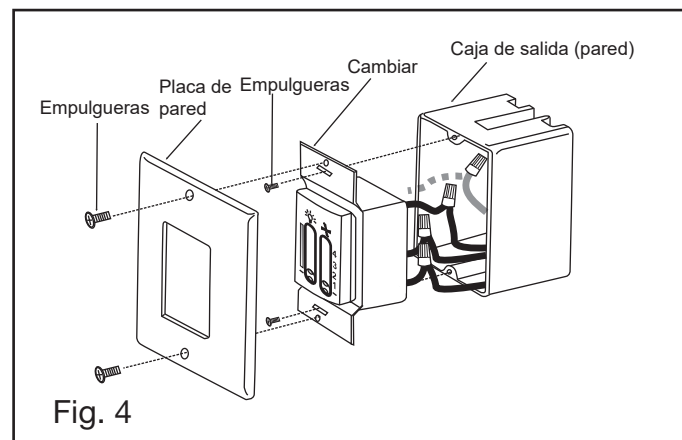
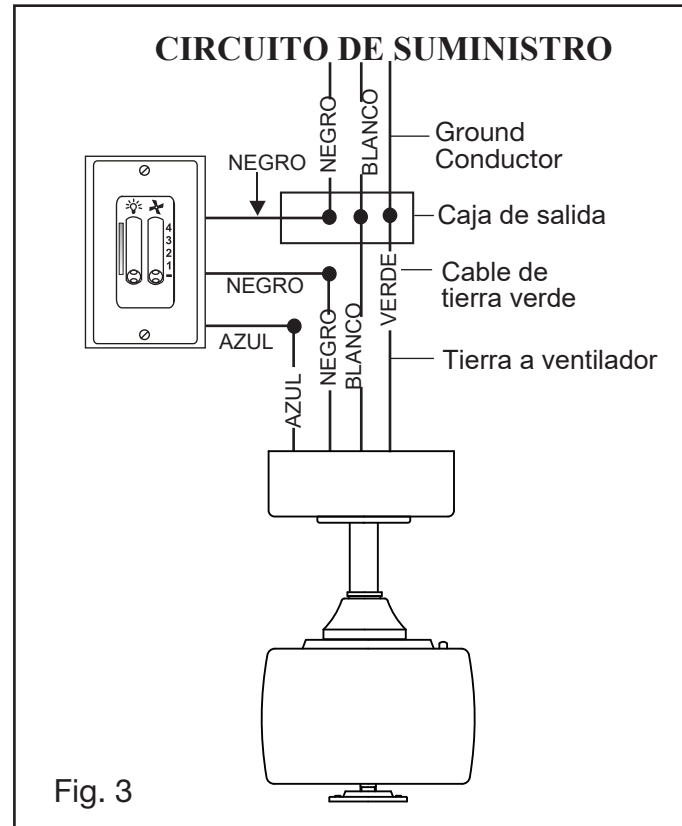
Fig. 2

NOTA: Asegúrese de que la electricidad esté apagada en la caja de energía principal antes de realizar el cableado. segundo. Conexión de los cables del interruptor de pared a los cables de la caja de salida de la pared. (Figuras 3 y 4)

- 1 Conecte el cable negro del interruptor al cable negro de la caja de salida de la pared.
- 2 Conecte el cable azul del interruptor al cable azul de la caja de salida de la pared.
- 3 Conecte el segundo cable negro del interruptor al cable negro de la alimentación de la caja de salida de pared a la instalación del ventilador.
- 4 Conecte el cable rayado amarillo / verde del interruptor al terminal de tierra en la caja de salida de la pared.

NOTA: Si su caja de salida tiene un cable de tierra (verde o cobre desnudo), conecte el cable de tierra del control de pared a él; de lo contrario, conecte el cable de tierra del control de pared directamente a uno de los tornillos de la caja de salida.

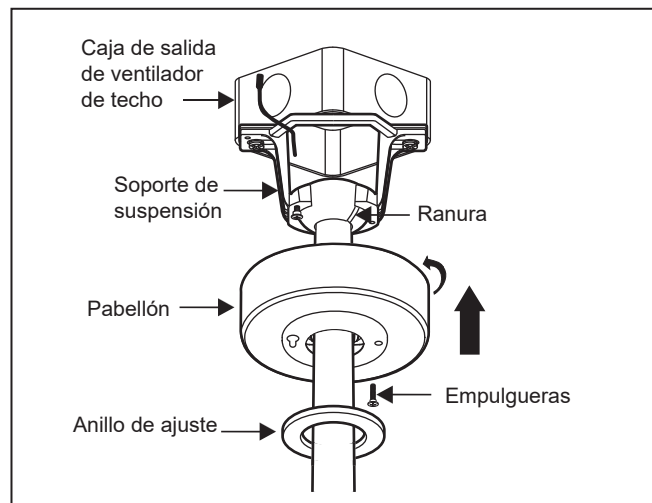
- 5 Meta con cuidado las conexiones de cables dentro de la caja de conexiones. Asegure el interruptor de pared con los dos tornillos proporcionados. (Figura 4)
- 5 Coloque la placa de pared sobre el interruptor de pared y asegúrela con los dos tornillos proporcionados. (Figura 4)



TERMINANDO LA INSTALACIÓN

- 1 Meta las conexiones cuidadosamente en la caja de salida del techo.
- 2 Deslice el dosel hasta el soporte de montaje y coloque el orificio de la cerradura en el dosel sobre el tornillo del soporte de montaje, gire el dosel hasta que encaje en su lugar en la sección estrecha de los orificios de la cerradura.
- 3 Alinee el orificio circular en la cubierta con el orificio restante en el soporte de montaje, asegure apretando los dos tornillos de fijación.

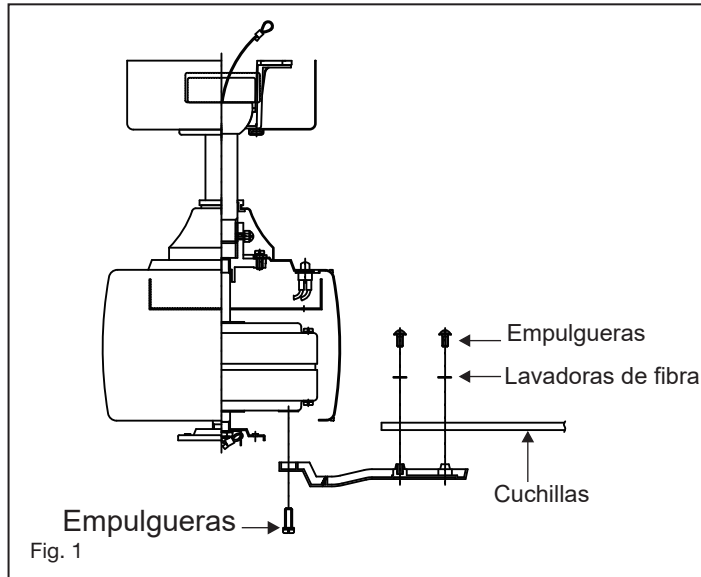
NOTA: Ajuste los tornillos de la capota según sea necesario hasta que la capota y el anillo de moldura estén ajustados.



ADVERTENCIA:

Asegúrese de que el gancho del soporte para colgar se asiente correctamente en la ranura de la bola de suspensión antes de sujetar el dosel al soporte girando la carcasa hasta que encaje en su lugar.

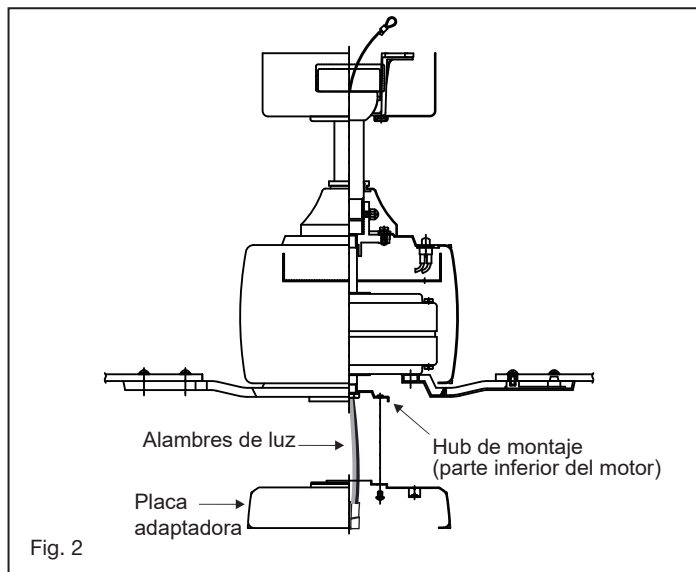
INSTALACIÓN DE LAS CUCHILLAS



- 1 Coloque la arandela de fibra en el tornillo. Inserte este conjunto a través de la hoja y coloque el tornillo en el brazo de la hoja. Repita este procedimiento sin apretar el tornillo hasta que los 3 tornillos se hayan introducido en el brazo de la hoja.
- 2 Apriete cada tornillo comenzando con el tornillo central.
- 3 Fije el conjunto de cuchillas al motor con los tornillos y arandelas de seguridad provistos. Repita el procedimiento para las hojas restantes. ¡Asegúrese de que los tornillos estén APRETADOS! Los tornillos del motor flojos pueden contribuir a un zumbido innecesario durante el funcionamiento.

NOTA: NO se recomiendan destornilladores eléctricos inalámbricos, ya que por lo general pelan las cabezas de los tornillos y por lo general no comprimen completamente las arandelas de seguridad de los tornillos del motor. Utilice un destornillador grande de hoja plana para un ajuste final y comprimir completamente las arandelas. Esto ayudará a garantizar la alineación adecuada de las palas y un funcionamiento sin ruidos ni oscilaciones.

INSTALACIÓN DE LA PLACA DE MONTAJE

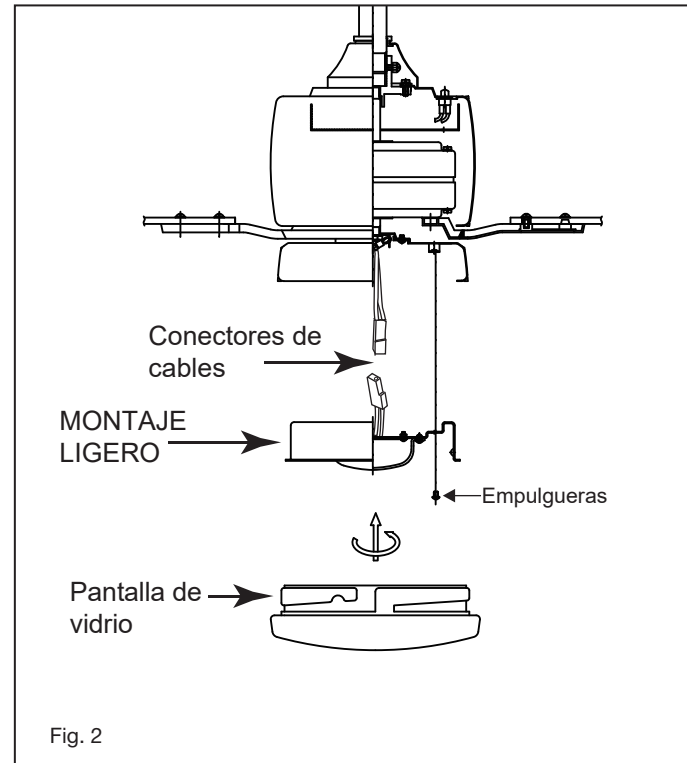


NOTA: Asegúrese de que la energía esté apagada antes de instalar.

- 1 Retire uno de los tres tornillos del eje de montaje ubicados en el motor del ventilador. Afloje los otros 2 tornillos. (No quitar) (Fig.1)
- 2 Pase los cables de luz a través del orificio central de la placa adaptadora.
- 3 Coloque los orificios de la placa adaptadora sobre los 2 tornillos que aflojó anteriormente, gire la placa adaptadora hasta que encaje en su lugar en la sección estrecha de los orificios. Asegure apretando los 2 tornillos previamente aflojados y el que previamente quitó.

INSTALACIÓN DEL CONJUNTO LED Y PANTALLA DE CRISTAL


- NOTA: Asegúrese de que la energía esté apagada antes de instalar.
- 1 Quite uno de los tres tornillos de la placa adaptadora ubicada en el motor del ventilador. Afloje los otros 2 tornillos. (No quitar) (Fig.2)
 - 2 Mientras sostiene el conjunto de LED debajo de su ventilador, haga las conexiones de enchufe polarizadas: (Fig.2)
- Rojo a blanco
- Negro a negro
 - 3 Meta las conexiones cuidadosamente en la placa adaptadora. Coloque los orificios de la llave en el ensamblaje del LED sobre los 2 tornillos previamente aflojados, gire el ensamblaje del LED hasta que encaje en su lugar en la sección estrecha de los orificios de la llave. Asegure apretando los 2 tornillos previamente aflojados y el que previamente quitó.
 - 4 Levante la pantalla de vidrio contra el conjunto del LED y gírela en el sentido de las agujas del reloj hasta que quede ajustada, **NO APRIETE DEMASIADO.**
 - 5 Restaure la energía y su conjunto de LED estará listo para funcionar.



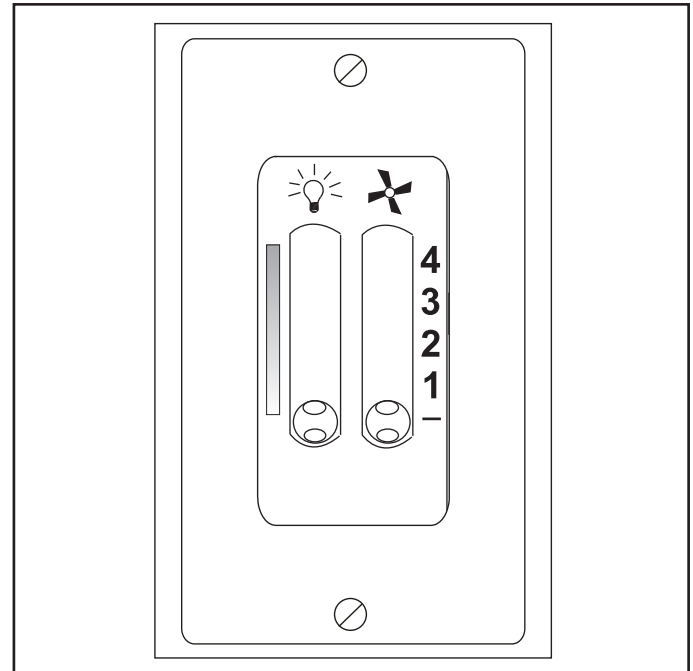
OPERACIÓN

Restablezca la energía al ventilador de techo y pruebe si funciona correctamente.

- El control de 4 velocidades del ventilador se utiliza para configurar la velocidad del ventilador de la siguiente manera:
 - = Apaga el ventilador
 - 1 = alta velocidad
 - 2 = Velocidad media alta
 - 3 = Velocidad media
 - 4 = Baja velocidad

 Interruptor deslizable de luz: Este control deslizable enciende o apaga la lámpara y ajusta el brillo de la lámpara. OFF está completamente hacia abajo.

Los ajustes de velocidad para climas cálidos o fríos dependen de factores como el tamaño de la habitación, la altura del techo, la cantidad de ventiladores, etc.



7

Funcionamiento en modo verano y modo invierno

IMPORTANTE: Para evitar daños o lesiones, asegúrese de que el ventilador esté apagado y las aspas hayan dejado de moverse por completo antes de intentar cambiar la dirección de rotación.

8

El interruptor de marcha atrás se encuentra en la parte superior de la carcasa del motor. Deslice el interruptor hacia la derecha para operar en modo invierno. Deslice el interruptor hacia la izquierda para el funcionamiento en modo verano. Asegúrese de que el interruptor no esté atascado entre las posiciones de avance y retroceso.

9

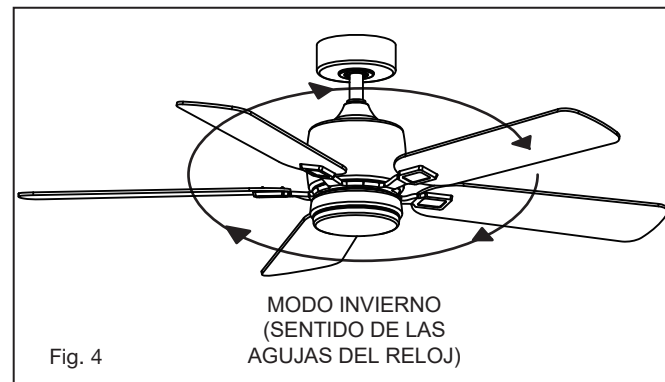
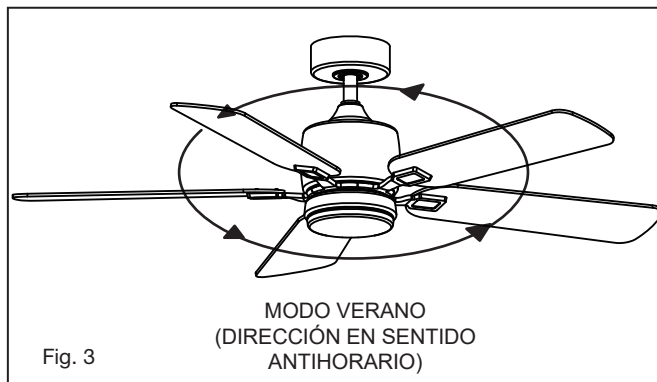
Modo de verano (hacia adelante):

Un flujo de aire HACIA ABAJO crea un efecto de enfriamiento como se muestra en la Figura 3. Esto le permite configurar su acondicionador de aire en una configuración más cálida sin afectar su comodidad.

10

Modo de invierno (inverso):

Un flujo de aire HACIA ARRIBA mueve el aire más caliente fuera del área del techo como se muestra en la Figura 4. Esto le permite configurar su unidad de calefacción en una configuración más fría sin afectar su comodidad.



CUIDADO Y LIMPIEZA

Periódicamente puede ser necesario volver a apretar los tornillos de la hoja al brazo de la hoja o del brazo de la hoja a los tornillos del motor para evitar un chasquido o un zumbido durante el funcionamiento. Esto es especialmente cierto en climas con amplios rangos de temperatura y humedad.

Al desempolvar las hojas, debe apoyar la hoja para evitar que se doble; no se debe aplicar presión a las hojas. Si experimenta alguna falla en el funcionamiento de su ventilador, verifique los siguientes puntos.

SOLUCIÓN DE PROBLEMAS

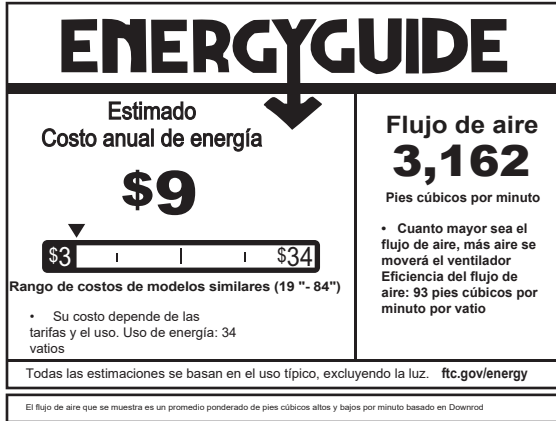
PRECAUCIÓN:

Desconecte la fuente de alimentación antes de realizar cualquiera de estas comprobaciones.

| PROBLEMA | SOLUCIÓN |
|--------------------------|---|
| EL VENTILADOR NO ARRANCA | <ol style="list-style-type: none">1. Verifique los fusibles o disyuntores del circuito.2. Verifique la luz indicadora LED del control de pared. Si el LED no se ilumina al presionar un botón, no está transmitiendo una señal. Verifique la alimentación al control de pared / disyuntor y todas las conexiones eléctricas.3. Asegúrese de que no haya más de 2 ventiladores funcionando en un circuito a través del control de pared. Asegúrese de que no haya más de 12 ventiladores operando en un circuito a través de un interruptor de pared de encendido / apagado o un disyuntor (no a través de un control de pared).4. Asegúrese de que el ventilador esté dentro del alcance del WiFi (150 pies) o del control de pared (30 pies). |
| FAN SUENA RUIDOSO | <ol style="list-style-type: none">1. Permita un período de "asentamiento" de 24 horas. La mayor parte del ruido asociado con un ventilador nuevo desaparecerá durante este tiempo.2. Asegúrese de que todos los tornillos de la carcasa del motor estén bien apretados.3. Asegúrese de que los tornillos que sujetan la paleta del ventilador al ventilador estén apretados.4. Asegúrese de que su caja de techo esté segura y de que se utilicen almohadillas aislantes de goma entre el soporte de montaje y la caja de salida. |
| VENTILADOR GOLPEA | <ol style="list-style-type: none">1. Verifique que todos los tornillos de la hoja y del brazo de la hoja estén firmes.2. Si aún se nota la oscilación de la hoja, intercambiar dos hojas adyacentes (una al lado de la otra) puede redistribuir el peso y posiblemente dar como resultado una operación más suave.3. Verifique para asegurarse de que todas las varillas de los accesorios del motor y / o la bola de suspensión estén apretadas.4. Asegúrese de que la caja de techo esté segura. |

GUÍA DE ENERGÍA

INFORMACIÓN MEDIA DE DESEMPEÑO Y ENERGÍA



ESPECIFICACIONES

| ESPECIFICACIONES DE RENDIMIENTO | ESTÁNDAR | |
|-------------------------------------|----------------|----------------|
| | ALTA VELOCIDAD | BAJA VELOCIDAD |
| Flujo de aire (CFM) | 4614 | 1517 |
| Energía usada (vatios) | 55.0 | 9.3 |
| Eficiencia de flujo de aire (CFM/W) | 84 | 164 |
| Costos de energía (anual) | \$9 | \$ |
| Amplificadores | 0.47 | 0.19 |
| RPMs | 146 | 55 |

INTELIGENTE POR BOND

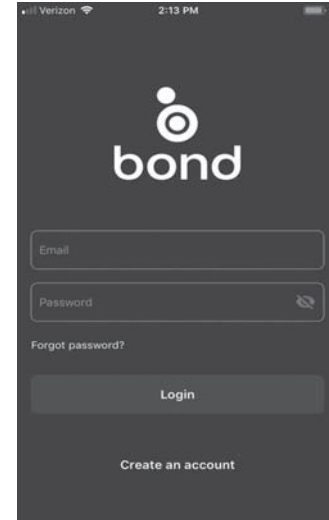
OPCIONES DE VENTILADOR INTELIGENTE HINKLEY

SE VENDE POR SEPARADO:

Además del control de pared incluido, puede controlar su ventilador Hinkley a través de la aplicación Bond.

- Para usar la aplicación, descárguela de forma gratuita desde App Store o Google Play.
- Abra la aplicación para crear su cuenta. También puede iniciar sesión con su cuenta de Facebook o Google.
- Luego, configure una conexión WiFi. Necesitará el SSID y la contraseña de WiFi para la red a la que desea conectarse.
- Recibirá un mensaje para elegir el acabado de su ventilador y nombrar su dispositivo de ventilador.
- La aplicación lo guiará a través de la pantalla principal y le mostrará cómo cambiar las velocidades de los ventiladores, atenuar la luz, configurar temporizadores o utilizar el modo brisa.

NOTA: Máximo de 2 ventiladores pueden operar en un circuito a través del control de pared. Un máximo de 12 ventiladores pueden operar en un circuito a través de un interruptor de encendido / apagado o interruptor cuando se utiliza la aplicación para el control del ventilador (sin el control de pared en el circuito).



<https://bondhome.io/app>

HINKLEY SE ENCUENTRA ORGULLOSO DE PROPORCIONARLE PRODUCTOS PARA VENTILADORES DE TECHO QUE MEJORAN SU ESPACIO CON COMODIDAD, PROPÓSITO Y ESTILO. COMO EMPRESA FAMILIAR, ESTAMOS COMPROMETIDOS CON EL DISEÑO, EL RENDIMIENTO Y LA CALIDAD, Y LO QUE ES IMPORTANTE PARA USTED ES PARAMOUNT PARA NOSOTROS.

PARA UN SURTIDO COMPLETO DE NUESTROS PRODUCTOS Y FUENTES DE LIBROS, VISITA HINKLEY.COM.

HINKLEY

GLOBAL HEADQUARTERS

33000 Pin Oak Parkway | Avon Lake, Ohio 44012

T (440) 653 5500 | F (440) 653 5555 | hinkley.com

HINKLEY

52" AFTON™

VENTILATEUR LED INTÉRIEUR



MANUEL D'INSTRUCTIONS
POUR LES VENTILATEURS DE
PLAFOND

NOUS VOULONS VOUS AIMER VOTRE NOUVEAU FAN

NOUS SOMMES ICI SI VOUS AVEZ UNE QUESTION, BESOIN D'UNE AIDE OU VOULEZ CHAT SUR NOS PRODUITS. ENVOYER DES SUGGESTIONS NOTRE FAÇON AUSSI - NOUS CHERCHONS TOUJOURS À FAIRE DE VOTRE EXPÉRIENCE AVEC HINKLEY UNE POSITIVE.

> SERVICE@HINKLEY.COM

> [800.HINKLEY](tel:800.HINKLEY)

> [LET'S SEE THAT HINKLEY STYLE @HINKLEY](#)
[#HINKLEYSSTYLE](#)

Ce manuel contient des instructions complètes pour l'installation et le fonctionnement de ce ventilateur. Il a été conçu pour rendre le processus d'installation aussi simple que possible. Si vous n'êtes pas familier ou mal à l'aise avec le câblage, veuillez contacter un électricien qualifié. Si vous avez besoin d'aide supplémentaire ou avez des questions, n'hésitez pas à nous contacter.

Pour des informations sur la garantie, visitez hinkley.com.

TABLE DES MATIÈRES

| | | | |
|----|--|----|--------------------------------------|
| 02 | INSTRUCTIONS GÉNÉRALES D'INSTALLATION ET D'UTILISATION | 11 | INSTALLATION DE LA PLAQUE DE MONTAGE |
| 03 | PRÉCAUTIONS DE SÉCURITÉ IMPORTANTES | 12 | INSTALLATION DU KIT LUMIÈRE ET VERRE |
| 03 | OUTILS ET MATÉRIAUX NÉCESSAIRES | 13 | OPÉRATION |
| 04 | DÉBALLAGE DE VOTRE FAN | 15 | ENTRETIEN ET NETTOYAGE |
| 05 | PRÉPARATION | 15 | SOLUTION DE PROBLÈMES |
| 05 | INSTALLATION DU SUPPORT DE SUSPENSION | 16 | GUIDE DE L'ÉNERGIE |
| 06 | SUSPENDRE LE VENTILATEUR | 16 | SPÉCIFICATIONS |
| 08 | CONNEXIONS ÉLECTRIQUES | 16 | SMART BY BOND |
| 10 | FIN DE L'INSTALLATION | | |
| 11 | ACCESSOIRE DE LAME | | |

AVERTISSEMENT:
Veuillez lire et suivre attentivement ces instructions et tenir compte de tous les avertissements affichés tout au long

INSTRUCTIONS GÉNÉRALES D'INSTALLATION ET DE FONCTIONNEMENT

- 1 Pour assurer le succès de l'installation, assurez-vous de lire les instructions et de lire attentivement les schémas avant de commencer.
- 2 Pour éviter tout choc électrique, assurez-vous que l'électricité est coupée sur le boîtier d'alimentation principal avant le câblage. Toutes les connexions électriques doivent être effectuées conformément aux codes locaux, aux ordonnances et / ou au National Electric Code. Si vous n'êtes pas familier avec les méthodes d'installation du câblage et des produits électriques, faites appel aux services d'un électricien qualifié et agréé ainsi que de quelqu'un qui peut vérifier la résistance des éléments de plafond et effectuer les installations et les connexions appropriées.
- 3 **AVERTISSEMENT:** pour réduire le risque d'incendie, de choc électrique ou d'autres blessures corporelles, montez le ventilateur uniquement sur une boîte de sortie ou un système de support marqué comme acceptable pour un support de ventilateur de 35 lb (15,9 kg) ou moins et utilisez les vis de montage fournies avec la boîte de sortie. La plupart des boîtiers de sortie couramment utilisés pour le support des appareils d'éclairage ne sont pas acceptables pour le support du ventilateur et peuvent devoir être remplacés. Consulter un électricien qualifié en cas de doute.
- 4 Assurez-vous que votre site d'installation ne permettra pas aux pales de ventilateur en rotation d'entrer en contact avec un objet. Les lames doivent être à au moins 7 pieds du sol.
- 5 Les lames doivent être fixées une fois le boîtier du moteur suspendu et en place. Le boîtier du moteur du ventilateur doit être conservé dans le carton jusqu'à ce qu'il soit prêt à être installé pour protéger sa finition. Si vous installez plusieurs ventilateurs de plafond, assurez-vous de ne pas mélanger des ensembles de pales de ventilateur, car chaque pale fait partie d'un ensemble pondéré.
- 6 Après avoir effectué les connexions électriques, les conducteurs épissés doivent être tournés vers le haut et poussés avec précaution vers le haut dans la boîte de sortie. Les fils doivent être écartés avec le conducteur commun et le conducteur de mise à la terre sur un côté de la boîte de sortie, et le Fils "CHAUDS" de l'autre côté.
- 7 Les schémas électriques sont fournis à titre indicatif uniquement. Les kits d'éclairage qui ne sont pas emballés avec le ventilateur doivent être répertoriés UL et doivent être installés conformément aux instructions d'installation du kit d'éclairage.
- 8 Une fois le ventilateur complètement installé, assurez-vous que toutes les connexions sont sécurisées pour empêcher le ventilateur de tomber et / ou de causer des dommages ou des blessures.
- 9 Le ventilateur peut fonctionner immédiatement après l'installation - les roulements sont correctement chargés de graisse de sorte que, dans des conditions normales, une lubrification supplémentaire ne soit pas nécessaire pendant la durée de vie du ventilateur.
- 10 Pour activer la fonction d'inversion sur ce ventilateur, appuyez sur le bouton d'inversion pendant que le ventilateur fonctionne.

PRÉCAUTIONS DE SÉCURITÉ IMPORTANTES

AVERTISSEMENTS:

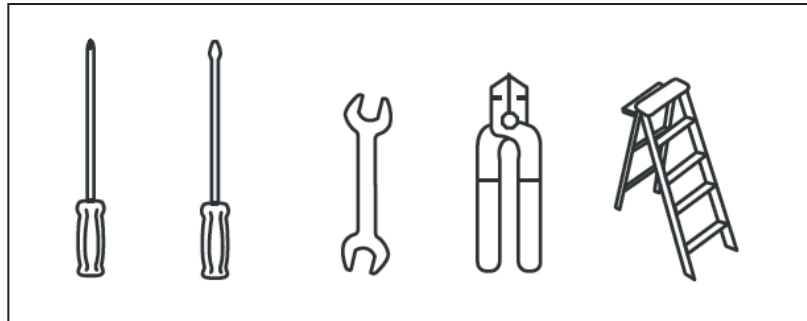
- Coupez l'alimentation en retirant le fusible ou en fermant le disjoncteur avant d'installer le ventilateur et / ou l'éclairage en option.
- Support directement à partir de la structure du bâtiment.
- Pour réduire le risque d'incendie, d'électrocution ou de blessure, montez sur la boîte de sortie marquée "acceptable pour le support du ventilateur" et utilisez les vis de montage fournies avec la boîte de sortie. La plupart des boîtiers de sortie couramment utilisés pour le support des appareils d'éclairage ne sont pas acceptables pour le support du ventilateur et peuvent devoir être remplacés. Consulter un électricien qualifié en cas de doute.
- N'utilisez pas de gradateur de lumière incandescente. N'utilisez pas ce ventilateur avec un dispositif de contrôle de vitesse de ventilateur de type transformateur.
- Pour réduire le risque de blessures corporelles, ne pliez pas les bras des pales lors de leur installation, de l'équilibrage des pales ou du nettoyage du ventilateur.
- N'insérez aucun objet entre les pales du ventilateur en rotation.

REMARQUE:

Les précautions, garanties et instructions importantes figurant dans ce manuel ne sont pas destinées à couvrir toutes les conditions et situations possibles qui peuvent survenir. Il faut comprendre que le bon sens, la prudence et la prudence sont des facteurs qui ne peuvent être intégrés à ce produit. Ces facteurs doivent être fournis par la ou les personnes installant, prenant soin et utilisant l'appareil.

OUTILS ET MATÉRIAUX REQUIS

- TOURNEVIS CRUCIFORME
- TOURNEVIS PLAT
- CLÉ OU PINCE
- COUPE-FIL
- ESCABEAU
- FOURNITURES DE CÂBLAGE
COMME REQUIS PAR LE CODE
ÉLECTRIQUE



DÉBALLAGE DE VOTRE FAN

DÉBALLER VOTRE FAN ET VÉRIFIER LE CONTENU

- Ne jetez pas le carton. Si un remplacement ou une réparation sous garantie est nécessaire, le ventilateur doit être retourné dans son emballage d'origine. Retirez toutes les pièces et le matériel. Ne posez pas le boîtier du moteur sur le côté, sinon le boîtier décoratif pourrait se déplacer, être plié ou endommagé.
- Examinez toutes les pièces. Vous devriez avoir les éléments suivants:

| CONTENIDO DEL PAQUETE VENTUS | | |
|------------------------------|--|--------------|
| 1 | Juego de 5 cuchillas | BL903552Fxx |
| 2 | Support de suspension | CA900752Fxx |
| 3 | Auvent de plafond et anneau de garniture | |
| 4 | Assemblage de tige descendante. | DR94014Fxx |
| 5 | Couverture de joug | YC901458Fxx |
| 6 | Boîtier de ventilateur avec moteur * Retirez les supports d'expédition en caoutchouc autour du moteur, le cas échéant. Conservez les vis | x |
| 7 | Ensemble de bras de lame de 5 | BLI903552Fxx |
| 8 | Plaque d'adaptation | AP901458Fxx |
| 9 | Assemblée LED 16W | E901458LED |
| 10 | Abat-jour en verre | GL903552OPET |
| 11 | Interrupteur mural. 2 vis de montage et 3 serre-fils, Plaque murale avec 2 vis de montage et 2 vis à métaux | 980008FWH |
| 12 | Sac de matériel | |
| | Matériel de montage du support (vis à bois, vis, rondelles frein, rondelles en étoile, rondelles plates, écrous métalliques), Vis de lame à bras de lame avec rondelles et écrous en fibre (13), kit d'équilibrage, Matériel de câble de sécurité (vis à bois, rondelle plate) | MH903552Fxx |
| XX=FINITION DU VENTILATEUR | | |

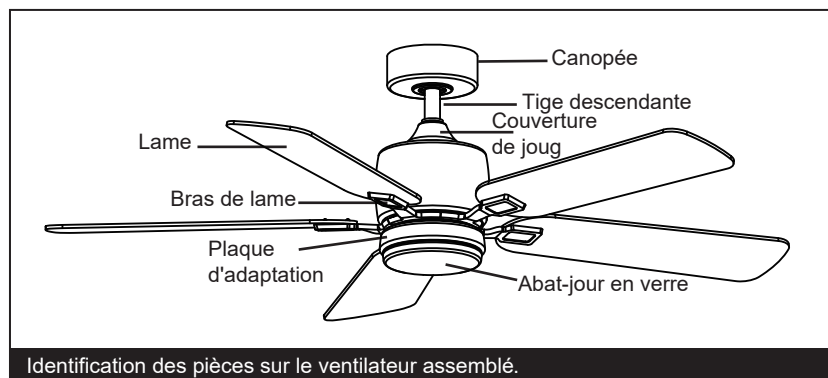
REMARQUE: La conception des pièces illustrées ci-dessus peut sembler légèrement différente pour votre modèle de ventilateur spécifique.

PRÉPARATION

PRÉPARATION:

Vérifiez que vous disposez de toutes les pièces avant de commencer l'installation. Vérifiez soigneusement l'insert en mousse pour les pièces manquantes. Retirez le moteur de l'emballage. Pour éviter d'endommager la finition, assemblez le moteur sur une surface rembourrée ou utilisez l'insert en mousse d'origine dans le boîtier du moteur.

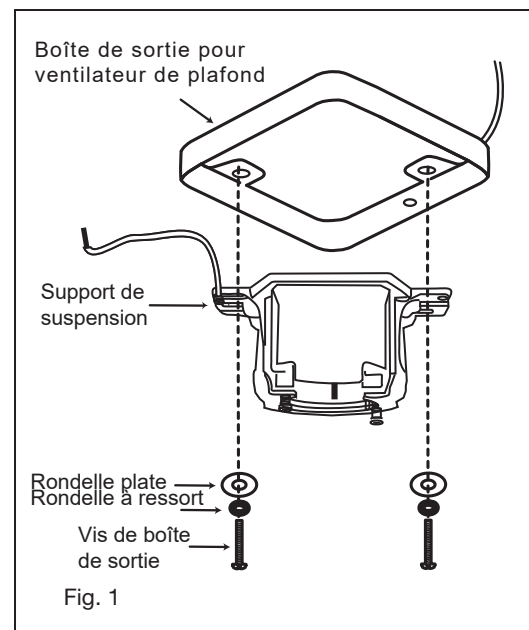
NE POSEZ PAS DE LOGEMENT DE MOTEUR SUR LE CÔTÉ, CELA POURRAIT ENTRAÎNER LE DÉPLACEMENT DU MOTEUR DANS LE BOÎTIER DÉCORATIF..



INSTALLATION DU SUPPORT DE SUSPENSION

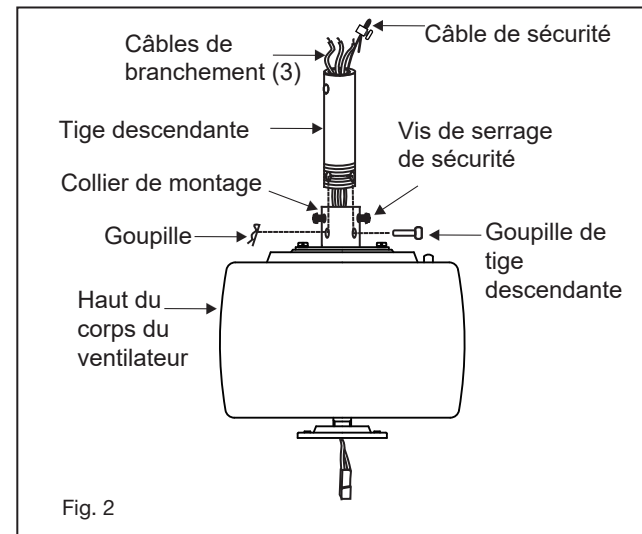
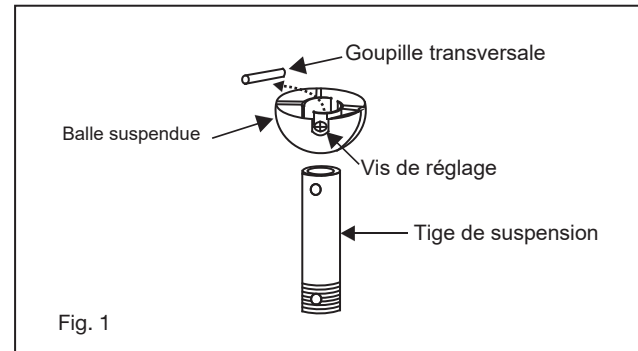
ATTENTION: Pour éviter tout risque d'électrocution, assurez-vous que l'électricité est coupée au niveau du boîtier d'alimentation principal avant le câblage. Tout le câblage doit être conforme aux codes électriques nationaux et locaux et le ventilateur de plafond doit être mis à la terre par mesure de précaution contre un éventuel choc électrique.

- 1 Localisez la solive de plafond à l'endroit où le ventilateur doit être installé, en vous assurant que l'emplacement est conforme aux exigences de la section dégagement minimum de ce guide. Les solives de bois doivent être solides et de taille adéquate pour supporter 35 livres (voir page 2, éléments 3 et 4).
- 2 S'il n'est pas déjà présent, montez une boîte de sortie homologuée UL marquée «approprié pour le support du ventilateur» en suivant les instructions fournies avec la boîte de sortie. La boîte de sortie doit pouvoir supporter un minimum de 35 livres.
- 3 Retirez la verrière du support de suspension. Retirez l'anneau de garniture à verrouillage par rotation en tournant dans le sens antihoraire. Retirez la vis de la verrière qui n'a pas de fente pour clé dans la verrière. Desserrez la vis avec la fente pour clé et retirez la verrière.
- 4 Fixez le support de suspension à la boîte de sortie à l'aide des vis fournies avec la boîte de sortie.



SUSPENDRE LE VENTILATEUR

- 1 Retirez la bille de la tige descendante en desserrant la vis de réglage sur le côté de la bille. Faites glisser la bille vers le bas et retirez la goupille à billes retirer la bille. (Fig. 1)
- 2 Soutenez soigneusement le corps du ventilateur (moteur) dans son emballage en polystyrène avec le collier de montage (où les fils sortent) vers le haut.
- 3 Desserrez les deux vis de réglage de sécurité et retirez la goupille de tige de descente au lieu de la goupille d'attelage de l'accouplement sur le dessus de l'assemblage du moteur. (Fig. 2)
- 4 Faites passer soigneusement les fils électriques et le câble de sécurité du ventilateur à travers la tige de descente. Vissez la tige descendante dans le coupleur jusqu'à ce que les trous s'alignent. Insérez la goupille de la tige descendante dans les trous du collier de montage et de la tige descendante; attachez la goupille fendue à travers le petit trou à l'extrémité de la tige de descente pour maintenir la tige de descente en place.
- 5 Serrez les vis de sécurité contre la tige de descente à l'aide d'un gros tournevis à lame plate pour assurer un ajustement serré contre la tige de descente. Serrez les écrous contre le collier de montage.

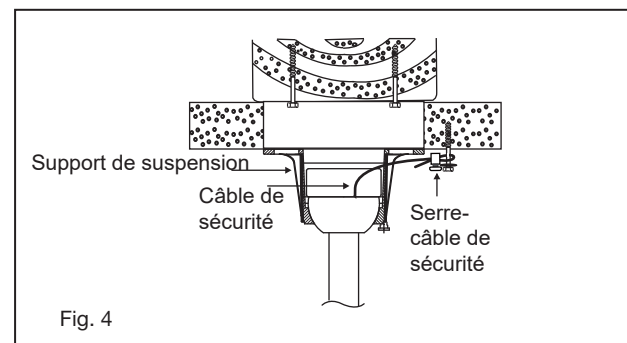
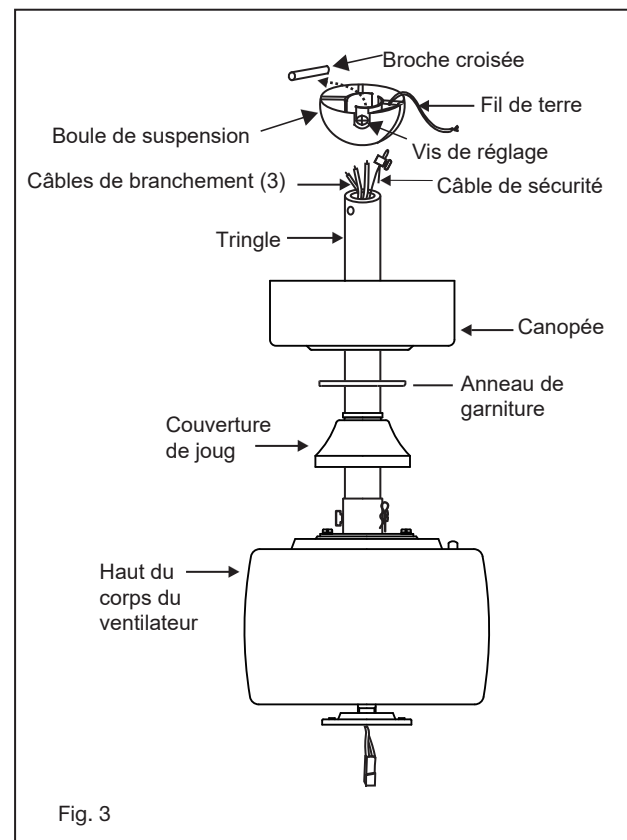


- 1 Glissez le couvercle de joug, la bague de garniture et la verrière sur la tige de descente. (Fig. 3)
- 2 Faites glisser la boule de suspension sur la tige descendante, insérez la goupille transversale dans la tige descendante et serrez. Serrez la vis de réglage.

REMARQUE:
Le ventilateur a 6 pieds de fil de raccordement au cas où vous utilisez une longue tige de descente.

- 3 Soulevez la bille / tige descendante / ventilateur dans l'ouverture du support de suspension.
- 4 **REMARQUE:** La languette opposée à l'ouverture du support de suspension doit s'insérer dans la fente de la bille. (Fig. 4)
Effectuez les connexions des fils, (reportez-vous à la section intitulée «Connexions électriques»).
- 5 Faites glisser l'auvent vers le haut et fixez-le au support de suspension avec 4 vis fournies.

INSTALLATION DU SUPPORT DE SÉCURITÉ:
Fixez le tirefond et la rondelle plate à la solive du plafond. Attachez le câble de sécurité au tire-fond. Faites glisser le serre-câble sur le câble de sécurité (du ventilateur). Placez l'extrémité du câble à travers le tire-fond. Tirez autant de câble que possible dans le tire-fond. Introduisez l'extrémité du câble dans le trou de serrage et serrez fermement la vis (Fig.4). Coupez l'excédent de câble de sécurité.



CONNEXIONS ELECTRIQUES

CONNEXIONS ÉLECTRIQUES: Assurez-vous que l'électricité est coupée au niveau du boîtier d'alimentation principal avant le câblage.

- 1 Débranchez l'alimentation et retirez la plaque murale existante et l'interrupteur de la boîte de jonction murale. (Fig. 1)

AVERTISSEMENT:

Pour éviter tout risque d'électrocution, assurez-vous que l'électricité est coupée au niveau du fusible principal ou du disjoncteur avant le câblage.

- 1 Connectez le fil d'alimentation du ventilateur (noir) au fil d'alimentation domestique noir comme illustré à la Figure 2.
- 2 Connectez le fil d'alimentation du ventilateur (bleu) au fil d'alimentation domestique bleu comme illustré à la Figure 2.
- 3 Connectez le fil neutre du ventilateur (blanc) au fil blanc neutre du foyer (Figure 2).
- 4 Une fois toutes les épissures effectuées, assurez-vous qu'il n'y a pas de brins lâches. Comme précaution supplémentaire, nous suggérons de fixer les connecteurs de fils en plastique aux fils avec du ruban isolant.

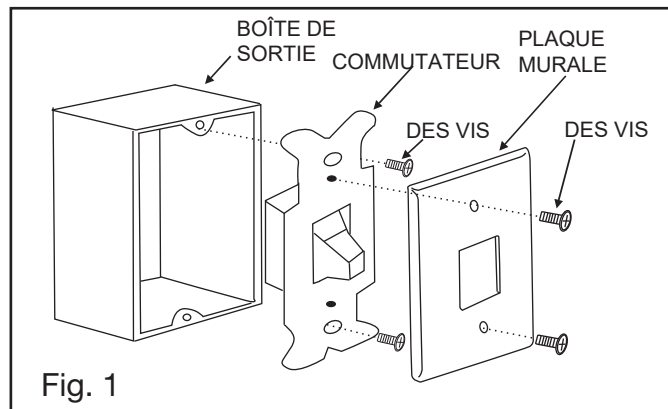


Fig. 1

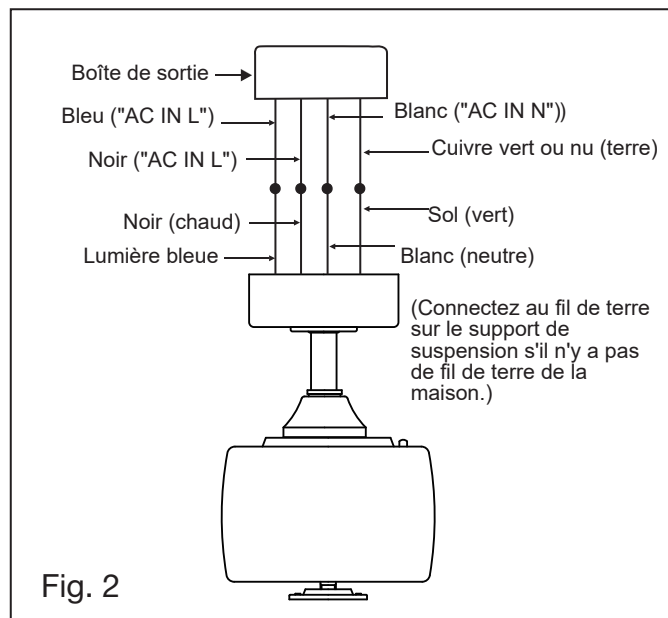


Fig. 2

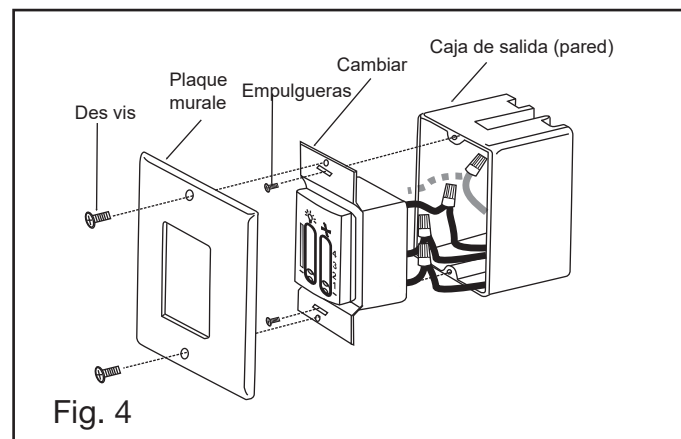
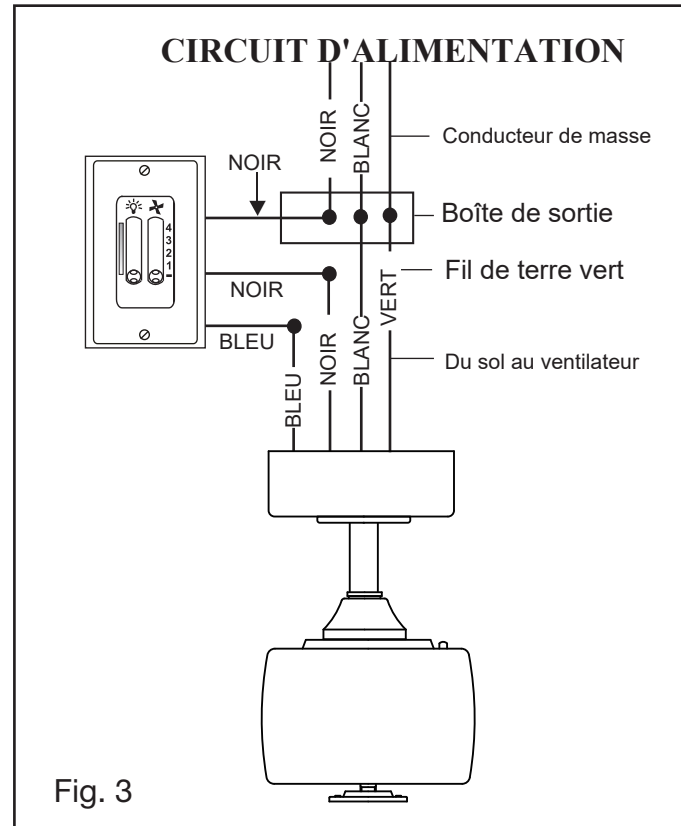
REMARQUE: Assurez-vous que l'électricité est coupée au niveau du boîtier d'alimentation principal avant de procéder au câblage.

b. Connexion des fils de l'interrupteur mural aux fils de la boîte de prise murale. (Fig. 3 et 4)

- 1 Connectez le fil noir de l'interrupteur au fil noir de la boîte de prise murale.
- 2 Connectez le fil bleu de l'interrupteur au fil bleu de la boîte de prise murale.
- 3 Connectez le deuxième fil noir de l'interrupteur au fil noir de l'alimentation du boîtier de prise murale à l'installation du ventilateur.
- 4 Connectez le fil rayé jaune / vert du commutateur à la borne de terre sur la boîte de prise murale.

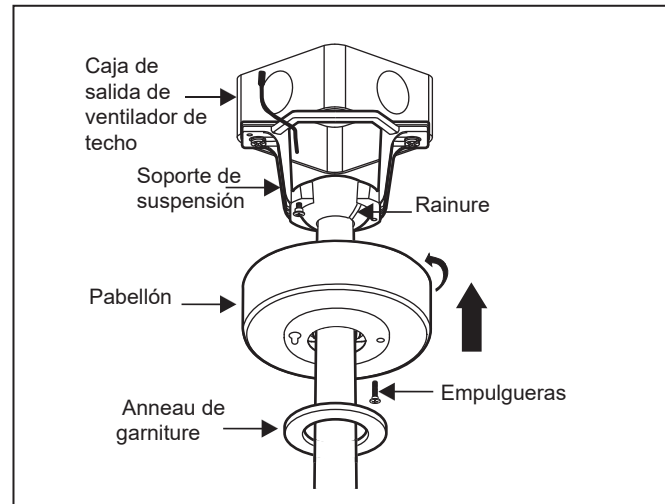
REMARQUE: Si votre boîte de sortie a un fil de terre (cuivre vert ou nu), connectez-y le fil de terre de la commande murale; Sinon, connectez le fil de terre de la commande murale directement à l'une des vis de la boîte de sortie.

- 5 Rentrez soigneusement les connexions des fils à l'intérieur de la boîte de jonction. Fixez l'interrupteur mural avec les deux vis fournies. (Fig. 4)
- 5 Fixez la plaque murale sur l'interrupteur mural et fixez-la avec les deux vis fournies. (Fig. 4)



FIN DE L'INSTALLATION

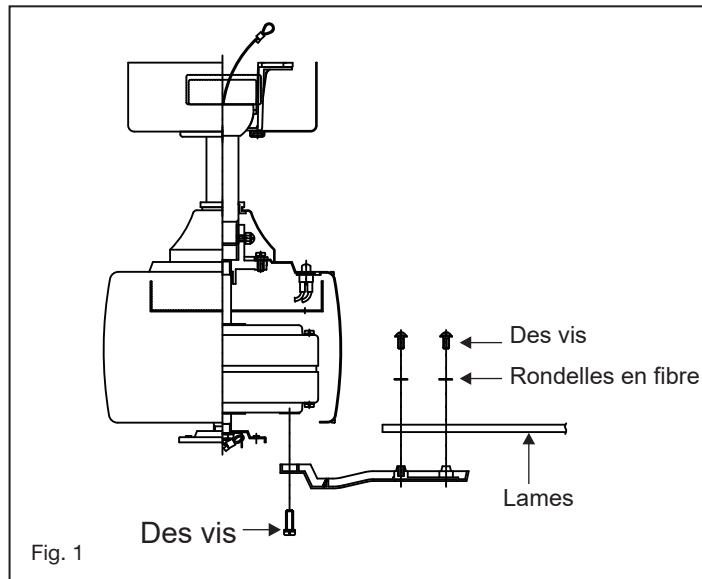
- 1 Rentrez soigneusement les connexions dans la boîte de sortie du plafond.
- 2 Faites glisser la verrière vers le support de montage et placez le trou de clé sur la verrière sur la vis du support de montage, tournez la verrière jusqu'à ce qu'elle se verrouille en place dans la section étroite des trous de clé. Alignez le trou circulaire sur la verrière avec le trou restant sur le support de montage, fixez en serrant les deux vis de réglage.
- 3 REMARQUE: Ajustez les vis de l'auvent au besoin jusqu'à ce que l'auvent et l'anneau de garniture soient bien serrés.



AVERTISSEMENT:

Assurez-vous que le crochet du support de suspension se trouve correctement dans la rainure de la boule de suspension avant de fixer la verrière au support en tournant le boîtier jusqu'à ce qu'il se mette en place.

INSTALACIÓN DE LAS CUCHILLAS

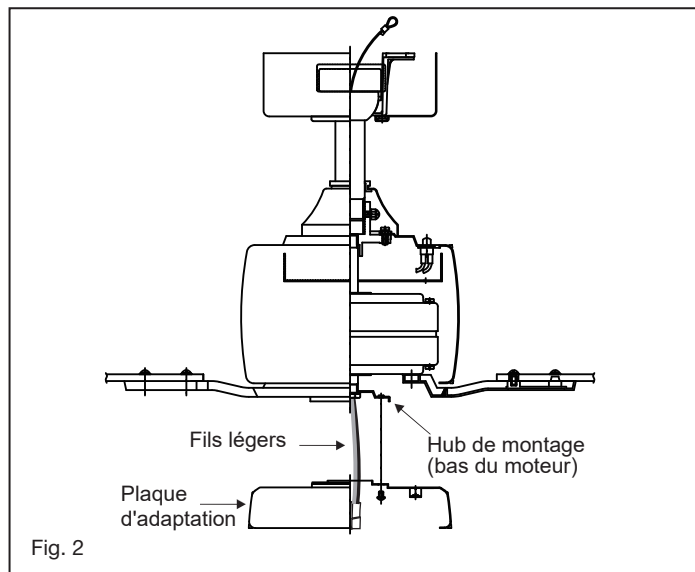


- 1 Placez la rondelle en fibre sur la vis. Insérez cet assemblage à travers la lame et insérez la vis dans le bras de lame. Répétez cette procédure sans serrer la vis jusqu'à ce que les 3 vis aient été insérées dans le bras de lame.
- 2 Serrez chaque vis en commençant par la vis centrale.
- 3 Fixez l'ensemble lame au moteur à l'aide des vis et des rondelles de blocage fournies. Répétez la procédure pour les feuilles restantes. Assurez-vous que les vis sont bien serrées! Des boulons de moteur desserrés peuvent contribuer à un bourdonnement inutile pendant le fonctionnement

REMARQUE:

Les tournevis électriques sans fil ne sont PAS recommandés car ils dénudent généralement les têtes de vis et ne compriment généralement pas complètement les rondelles de blocage sur les vis du moteur. Utilisez un gros tournevis à lame plate pour un serrage final et compressez complètement les rondelles. Cela aidera à assurer un alignement correct de la lame et un fonctionnement oscillant sans bruit.

INSTALLATION DE LA PLAQUE DE MONTAGE



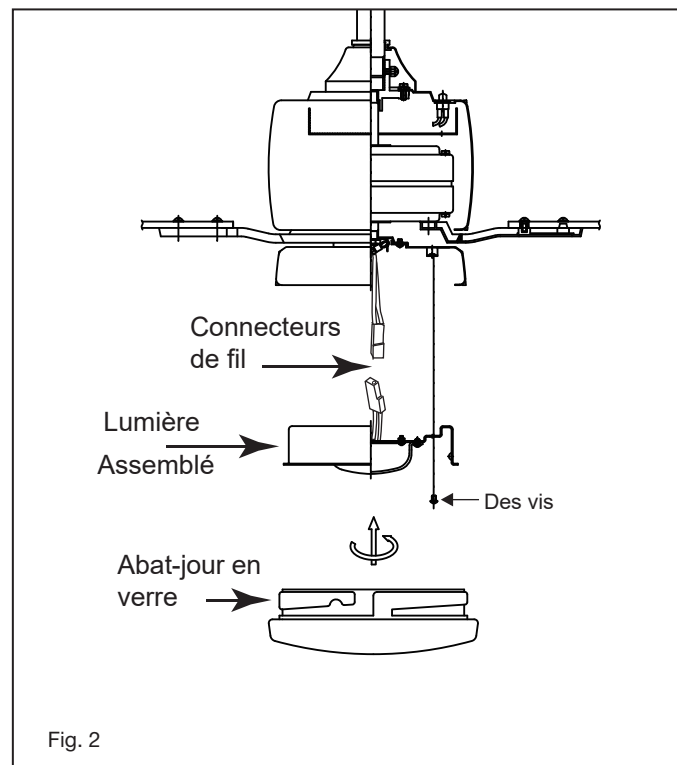
REMARQUE: assurez-vous que l'alimentation est coupée avant l'installation.

- 1 Retirez l'une des trois vis de l'arbre de montage situées sur le moteur du ventilateur. Desserrez les 2 autres vis. (Ne pas retirer) (Fig.1)
- 2 Faites passer les câbles d'éclairage à travers le trou central de la plaque d'adaptation.
- 3 Positionnez les trous de la plaque d'adaptation sur les 2 vis précédemment desserrées, faites pivoter la plaque d'adaptation jusqu'à ce qu'elle s'enclenche dans la section étroite des trous. Fixez en serrant les 2 vis précédemment desserrées et celle précédemment retirée.

INSTALLATION DE L'ASSEMBLAGE LED ET DE L'OBJET DE VERRE

REMARQUE: assurez-vous que l'alimentation est coupée avant l'installation.

- 1 Retirez l'une des trois vis de la plaque d'adaptation située sur le moteur du ventilateur. Desserrez les 2 autres vis. (Ne pas retirer) (Fig.2)
- 2 Tout en maintenant l'assemblage LED sous votre ventilateur, effectuez les connexions polarisées: (Fig.2)
 - Du rouge au blanc
 - Du noir au noir
- 3 Rentrez soigneusement les connexions dans la plaque d'adaptation. Placez les trous de clé sur l'assemblage de LED sur les 2 vis précédemment desserrées, tournez l'assemblage de LED jusqu'à ce qu'il se verrouille en place dans la section étroite des trous de clé. Fixez en serrant les 2 vis précédemment desserrées et celle précédemment retirée.
- 4 Soulevez l'abat-jour en verre contre l'assemblage LED et tournez dans le sens des aiguilles d'une montre jusqu'à ce qu'il soit bien serré, NE PAS TROP SERRER.
- 5 Rétablissez l'alimentation et votre ensemble LED est prêt à fonctionner..




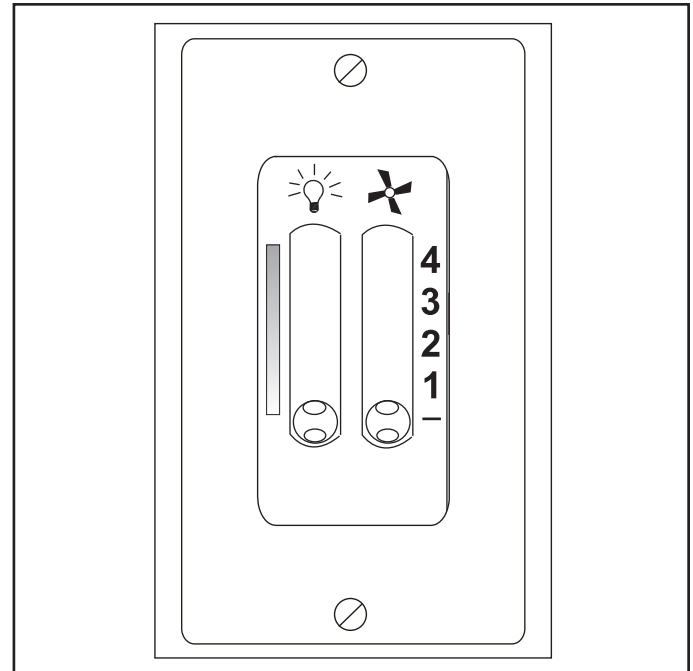
OPÉRATION

Remettez le ventilateur de plafond sous tension et testez son bon fonctionnement.

La commande à 4 vitesses du ventilateur est utilisée pour régler la vitesse du ventilateur comme suit:

- = Éteint le ventilateur ff
- 1 = haute vitesse
- 2 = vitesse moyenne élevée
- 3 = vitesse moyenne
- 4 = basse vitesse

 Interrupteur à glissière d'éclairage: ce curseur allume ou éteint le luminaire et ajuste la luminosité de l'appareil. OFF est tout le chemin vers le bas. Les réglages de vitesse par temps chaud ou frais dépendent de facteurs tels que la taille de la pièce, la hauteur du plafond, le nombre de ventilateurs, etc.



Fonctionnement en mode été et en mode hiver

7

IMPORTANT: pour éviter tout dommage ou blessure, assurez-vous que le ventilateur est éteint et que les pales ont complètement cessé de bouger avant de tenter de changer le sens de rotation.

8

L'interrupteur de marche arrière est situé sur le dessus du carter du moteur. Faites glisser l'interrupteur vers la droite pour le fonctionnement en mode hiver. Faites glisser l'interrupteur vers la gauche pour le fonctionnement en mode été. Assurez-vous que l'interrupteur n'est pas coincé entre les positions avant et arrière.

9

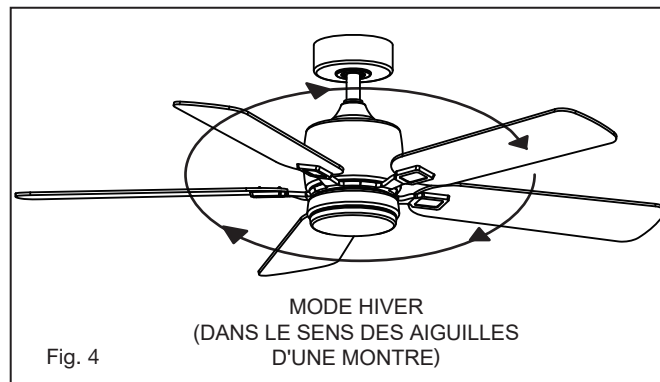
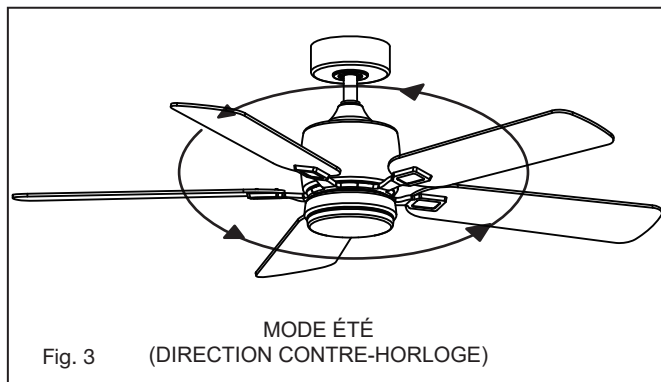
Mode été (avant):

Un flux d'air **VERS LE BAS** crée un effet de refroidissement comme illustré à la Figure 3. Cela vous permet de régler votre climatiseur sur un réglage plus chaud sans affecter votre confort.

10

Mode hiver (marche arrière):

Un flux d'air **VERS LE HAUT** déplace l'air plus chaud de la zone du plafond, comme illustré à la Figure 4. Cela vous permet de régler votre appareil de chauffage sur un réglage plus frais sans nuire à votre confort.



ENTRETIEN ET NETTOYAGE

Périodiquement, il peut être nécessaire de resserrer la lame sur les vis du bras de lame ou le bras de lame sur les vis du moteur pour éviter un clic ou un bourdonnement pendant le fonctionnement. Cela est particulièrement vrai dans les climats avec de larges plages de température et d'humidité. Lors du dépoussiérage des lames, vous devez soutenir la lame pour éviter qu'elle ne se plie - aucune pression ne doit être appliquée sur les lames. Si vous rencontrez des défauts dans le fonctionnement de votre ventilateur, veuillez vérifier les points suivants.

DÉPANNAGE

MISE EN GARDE:
Coupez l'alimentation électrique avant d'effectuer l'un de ces contrôles.

PROBLÈME

SOLUTION

LE
VENTILATEUR
NE DÉMARRE
PAS

1. Vérifiez les fusibles ou les disjoncteurs du circuit.
2. Vérifiez le voyant LED de la commande murale. Si la LED n'est pas allumée lorsque vous appuyez sur un bouton, il ne transmet pas de signal. Veuillez vérifier l'alimentation de la commande murale / du disjoncteur et de toutes les connexions électriques.
3. Assurez-vous qu'il n'y a pas plus de 2 ventilateurs fonctionnant sur un circuit à travers la commande murale. Assurez-vous qu'il n'y a pas plus de 12 ventilateurs fonctionnant sur un circuit via un interrupteur mural marche / arrêt ou un disjoncteur (et non via une commande murale).
4. Assurez-vous que le ventilateur est à portée du WiFi (150 pieds) ou de la commande murale (30 pieds).

BRUIT DES
VENTILATEURS

1. Prévoyez une période de «rodage» de 24 heures. La plupart des bruits associés à un nouveau ventilateur disparaîtront pendant ce temps.
2. Assurez-vous que toutes les vis du boîtier du moteur sont solidement fixées.
3. Assurez-vous que les vis qui fixent la pale du ventilateur au ventilateur sont bien serrées.
4. Assurez-vous que votre boîtier de plafond est sécurisé et que des tampons isolants en caoutchouc sont utilisés entre le support de montage et le boîtier de sortie.

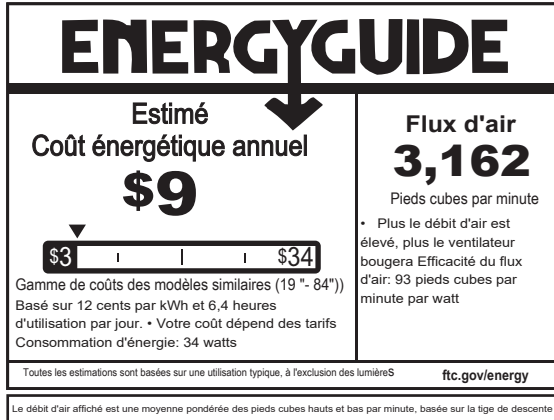
WOBBLES DE
VENTILATEUR

1. Vérifiez que toutes les vis de la lame et du bras de lame sont bien fixées.
2. Si l'oscillation de la lame est toujours perceptible, interchanger deux lames adjacentes (côte à côte) peut redistribuer le poids et peut-être entraîner un fonctionnement plus fluide.
3. Vérifiez que toutes les tiges de fixation de la quincaillerie du moteur et / ou de la bille de suspension sont bien serrées.
4. Assurez-vous que le boîtier de plafond est sécurisé.

GUIDE ÉNERGÉTIQUE

CARACTÉRISTIQUES

PERFORMANCE MOYENNE ET INFORMATIONS ÉNERGÉTIQUES



| SPÉCIFICATIONS DE PERFORMANCE | LA NORME | |
|------------------------------------|---------------|----------------|
| | HAUTE VITESSE | FAIBLE VITESSE |
| Débit d'air (CFM) | 4614 | 1517 |
| Consommation d'énergie (watts) | 55.0 | 9.3 |
| Efficacité du flux d'air (CFM / W) | 84 | 164 |
| Coûts énergétiques (annuels) | \$9 | \$ |
| Amplis | 0.47 | 0.19 |
| RPMs | 146 | 55 |

SMART BY BOND

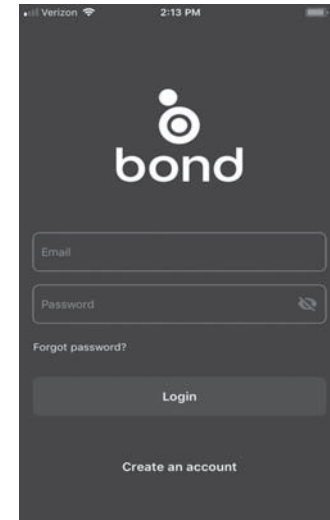
OPTIONS DE VENTILATEUR HINKLEY SMART

VENDU SÉPARÉMENT:

En plus du contrôle mural inclus, vous pouvez contrôler votre ventilateur Hinkley via l'application Bond.

- Pour utiliser l'application, téléchargez-la gratuitement depuis l'App Store ou Google Play.
- Ouvrez l'application pour créer votre compte. Vous pouvez également vous connecter avec votre compte Facebook ou Google.
- Ensuite, configurez une connexion WiFi. Vous aurez besoin du SSID et du mot de passe WiFi pour le réseau auquel vous souhaitez vous connecter.
- Vous serez invité à choisir la finition de votre ventilateur et à nommer votre périphérique de ventilateur.
- L'application vous guidera à travers l'écran principal et vous montrera comment modifier la vitesse des ventilateurs, atténuer la lumière, régler les minuteries ou utiliser le mode brise.

REMARQUE: 2 ventilateurs maximum peuvent fonctionner sur un circuit via la commande murale. Un maximum de 12 ventilateurs peuvent fonctionner sur un circuit via un interrupteur marche / arrêt ou un disjoncteur lors de l'utilisation de l'application pour la commande du ventilateur (sans la commande murale dans le circuit).



<https://bondhome.io/app>

HINKLEY IS PROUD TO PROVIDE YOU WITH CEILING FAN PRODUCTS THAT ENHANCE YOUR SPACE WITH COMFORT, PURPOSE AND STYLE. AS A FAMILY COMPANY, WE ARE COMMITTED TO DESIGN, PERFORMANCE AND QUALITY, AND WHAT'S IMPORTANT TO YOU IS PARAMOUNT TO US.

FOR A COMPLETE ASSORTMENT OF OUR PRODUCTS AND SOURCE BOOKS, VISIT HINKLEY.COM.

HINKLEY

GLOBAL HEADQUARTERS

33000 Pin Oak Parkway | Avon Lake, Ohio 44012

T (440) 653 5500 | F (440) 653 5555 | hinkley.com