

INSTALLATION INSTRUCTIONS
943-LED Pendant
PD-94322

MODERN FORMS

CAUTION: To prevent electrical shock, ensure electricity has been turned off at the circuit breaker before beginning.

- Read all instructions before installing.
- System is intended for installation by a licensed electrician in accordance with the National Electrical Code (NEC) and local regulations.
- When handling the fixture, do not apply pressure to the LEDs. Hold the fixture by the base only.
- Retain installation instructions for future maintenance reference.

WARNING: All parts must be used as indicated in these instructions. This product is designed for use only with the supplied parts and/or accessories designated for use by Modern Forms. Substitution of parts or accessories not designated for use with this product by Modern Forms could result in personal injury or property damage, and will void the warranty. Contact an authorized dealer or the manufacturer if any parts are damaged or missing.

MAINTENANCE NOTE: Coastal conditions may cause mineral and residue build-up on the fixture. We recommend that customers in coastal areas clean all external surfaces of the fixture once every two weeks with a wet cloth.

MISE EN GARDE: Pour éviter tout choc électrique, assurez-vous que le disjoncteur soit mis hors tension avant de commencer.

- Lisez toutes les instructions avant l'installation.
- Le système doit être installé par un électricien licencié conformément au code national de l'électricité (NEC), et également aux règlements locaux.
- Lors de la manipulation du luminaire, n'appuyez pas sur les LED. Tenez-le uniquement par la base.

ATTENTION: Toutes les pièces doivent être utilisées comme indiqué dans ces instructions. Ce produit est conçu pour être utilisé seulement avec les pièces et/ou accessoires fournis pour être utilisés avec les produits Modern Forms. Remplacer des pièces ou accessoires non conçus pour ce produit Modern Forms pourrait causer des dommages corporels ou matériels et pourrait également causer l'annulation de la garantie. Veuillez contacter un revendeur autorisé ou le fabricant si des pièces manquent ou sont endommagées.

NOTE D'ENTRETIEN: Les conditions côtières peut causer une accumulation de minéraux et de résidus sur le luminaire. Nous recommandons aux clients qui résident dans les zones côtières de nettoyer toutes les surfaces externes du luminaire une fois toutes les deux semaines avec un chiffon humide.

HARDWARE



Wire Connector
Qty: 3pcs+1 Extra



Mounting Screw
Qty: 1 Extra



Wire Connector
Qty: 2pcs+1 Extra



Allen Wrench
Qty: 1 pcs



Short Allen Screw
Qty: 1 Extra



Long Allen Screw
Qty: 1 Extra

modernforms.com
Phone (800) 526.2588
Fax (800) 526.2585

Headquarters/Eastern Distribution Center
44 Harbor Park Drive
Port Washington, NY 11050

Central Distribution Center
1600 Distribution Ct
Lithia Springs, GA 30122

Western Distribution Center
1750 Archibald Avenue
Ontario, CA 91760



INSTALLATION INSTRUCTIONS

943-LED Pendant PD-94322

MODERN FORMS

PREPARATION

1. Shut off the power at the circuit breaker and remove existing fixture, including the crossbar.
2. Carefully unpack your new fixture and lay out all the parts on a clear area. Be careful not to lose any small parts necessary for installation.

MOUNTING THE FIXTURE (Fig. 1)

3. Affix the four fins into the upper socket and fasten using the long allen screw(F) with the allen wrench(D).
4. Affix the fins to the bottom socket and secure with the bottom cap. While securing the bottom cap, hold on to the bottom socket to prevent rotation. Fasten with short Allen screw (E) and Allen wrench (D).
5. Fasten the short allen screw (E) with the allen wrench(D).
6. Remove the mounting screw (C) from the fixture.
7. Choose number of rods suitable for your application. Thread the fixture wire through the rods, swivel and canopy, connect canopy, swivel, rods and fixture body. Ensure all are tightened.

CONNECTING THE WIRES (Fig. 2)

8. Cut the extra wire thread from the fixture. Connect the driver input wire with junction box as shown in Fig.2, make sure that all wire connectors (A) are secured. If your outlet box has a green or bare copper ground wire, connect the fixture's ground wire to it. Other wise, connect the fixture's ground wire directly to the back plate using the GND screw provided. After wires are connected, tuck them carefully inside the junction box.

Note: Due to limited room within the canopy, shorten the cable as necessary to make the installation easier. Make sure to identify and label all the wiring properly before any trimming/shortening.

COMPLETING THE INSTALLATION (Fig. 1, 2, 3,4)

9. Secure mounting plate to the junction box using junction box screw.
 - Note:** (i) using any other non-original-manufacturer provided junction box screw may result in safety issue;
 - (ii) The side of the mounting plate marked "GND" must face out.
10. Connect the driver output wire with fixture wire as shown in Fig. 3 .Red to the red, and black to the black, making sure that all wire connectors (C) are secured. Connect the driver input wires to junction box as shown in Fig. 2. Making sure that all wire connectors (A) are secured. If your outlet box has a green or barecopper ground wire, connect the fixture's ground wire to it. Otherwise, connect the fixture's ground wire directly to the back plate using the GND screw provided. After wires are connected, tuck them carefully inside the junction box.
11. Secure the fixture by mounting the canopy to the ring of the back plate. Turn and rotate the canopy in the direction of the arrow until it stops. Fasten the canopy to the mounting back plate using the mounting screw(B)
12. For slope ceiling application, rotate swivel at the top of the stem to ensure luminaireis aiming down (Fig. 4).

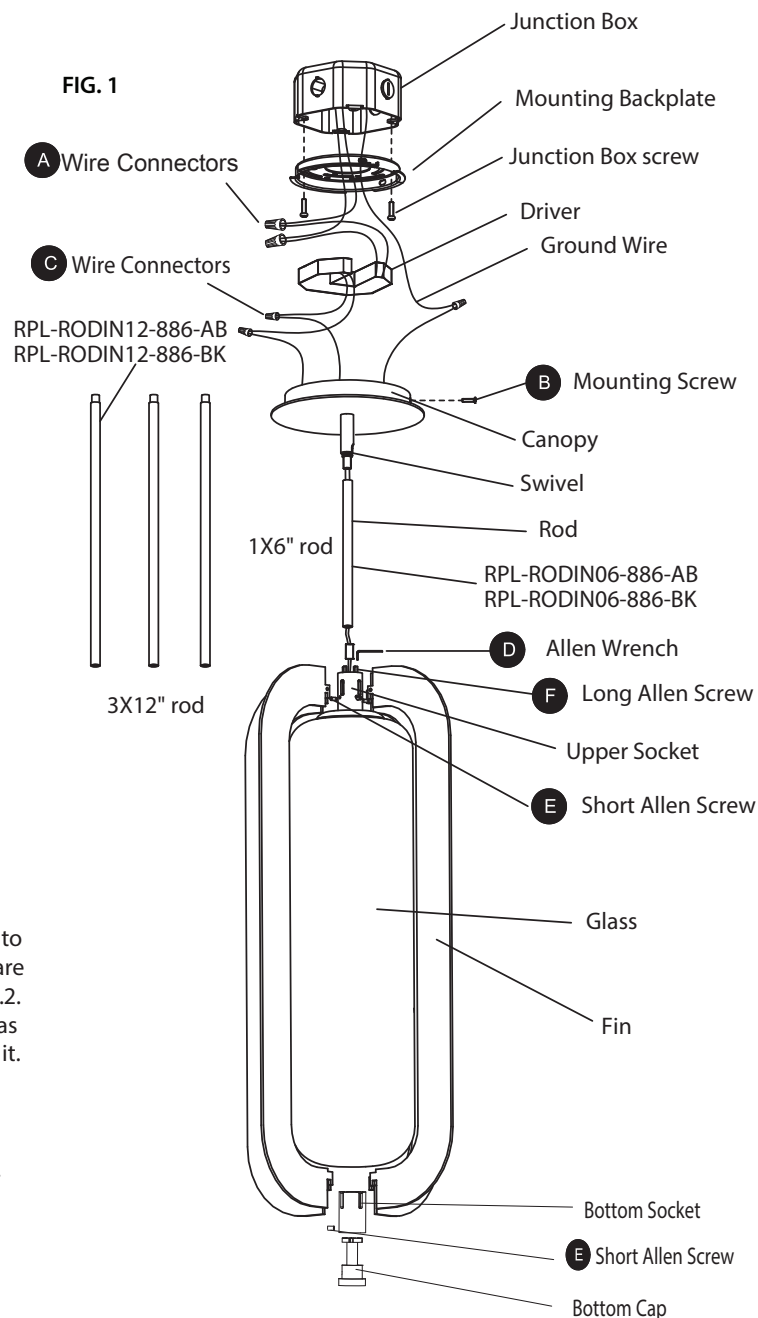


FIG. 2 Wiring

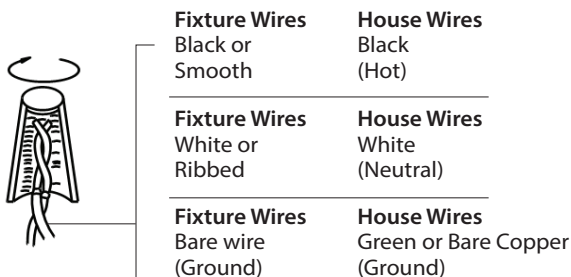
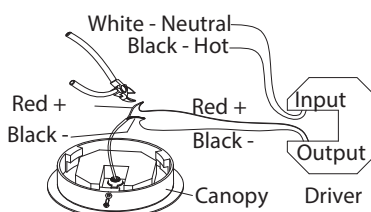
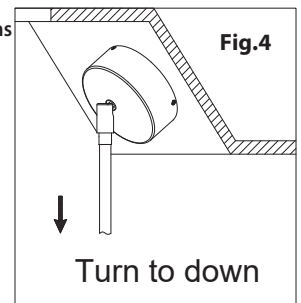
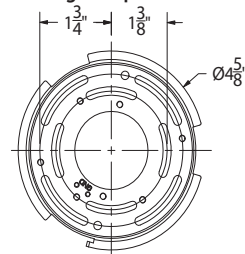


Fig.3 Driver Wires



Mounting Backplate Dimensions



modernforms.com
Phone (800) 526.2588
Fax (800) 526.2585

Headquarters/Eastern Distribution Center
44 Harbor Park Drive
Port Washington, NY 11050

Central Distribution Center
1600 Distribution Ct
Lithia Springs, GA 30122

Western Distribution Center
1750 Archibald Avenue
Ontario, CA 91760

