

DUAL SLIDE WALL CONTROL INSTALLATION INSTRUCTIONS

WARNING

To avoid fire, shock and serious personal injury, follow these instructions:

- Carefully read and retain this Instruction Manual for future reference.
- To avoid possible electrical shock, be sure the electricity is turned off at the main panel by removing the fuse or opening the circuit breaker.
- This control switch is designed for use with "Ceiling Fans" ONLY. DO NOT use with any other type of electrical appliance.
- All wiring must conform to national and local electrical codes. If you feel you do not have enough electrical knowledge, have a licensed electrician install the control.
- The amperage for your fan should not exceed 1.25A. The total wattage for the lights 300W.

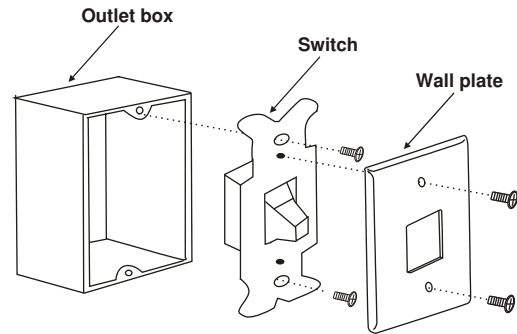


Fig. 1

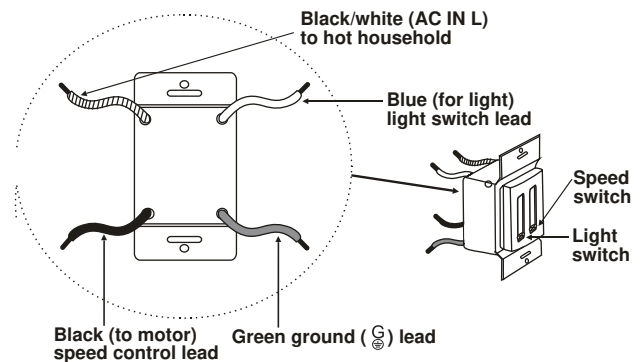


Fig. 2

INSTALLATION AND OPERATING INSTRUCTIONS

- Disconnect the power and remove the existing wall plate and switch. (Fig. 1)
- Push BOTH slide switches all the way down to the OFF position. (Fig.2)
- Make each of the wire connections illustrated in Figure 3. Secure each with the wire nuts provided.
 - Black wire going to the fan (motor) to the Black wire from the Switch.
 - In the Ceiling Outlet Box, connect the White (neutral) wire coming from the Fan to the White (neutral) wire from the Household Supply.
 - Connect the Blue (For Light) wire coming from the fan to the Blue (For Light) wire from the Switch.
 - Connect the Black & White (AC IN L) from the switch to the Black wire going to the Household Supply.
- If your ceiling outlet box has a ground wire (green or bare copper) connect it to the ground wire from the ceiling fan and/or the ceiling mounting bracket.

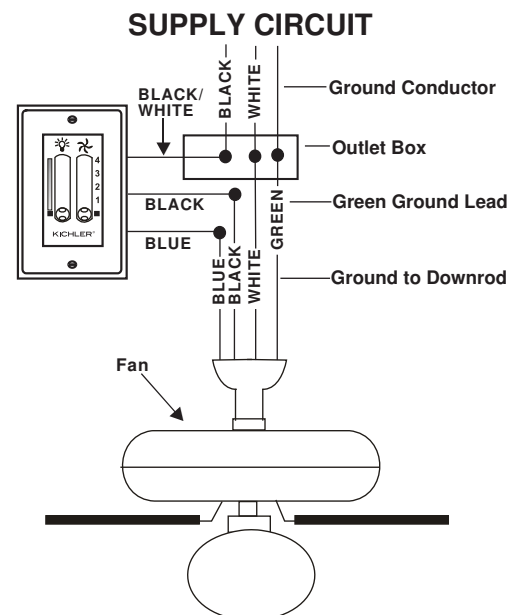
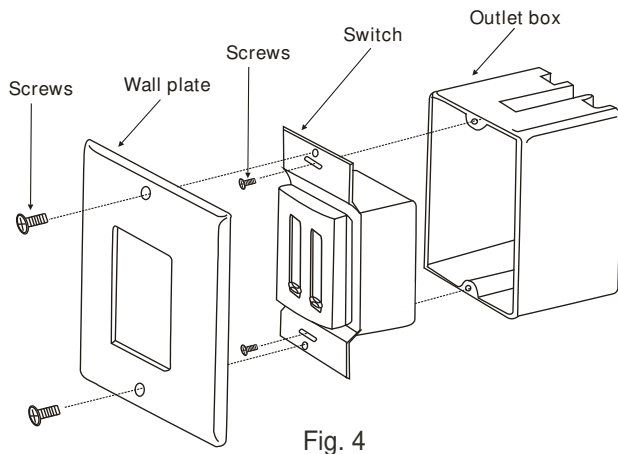


Fig. 3




5. Attach the Speed/Light Switch to the wall outlet box and secure with the two screws provided. (Fig 4)

6. Attach the wall plate to the switch with the two screws provided. (Fig. 4)


NOTE: If your fan has the original pull chain speed control, you **MUST** set and leave this control on High Speed. The On/Off switch (pull chain) on the ceiling fan light fixture must be set to ON.

OPERATING YOUR WALL CONTROL

Restore power to the ceiling fan and test for proper operation.

 **Speed Slide Switch:** The Slider is used to set each fan speed separately. Move it up or down to select the desired speed.

- 1 = High Speed
- 2 = Medium High Speed
- 3 = Medium Speed
- 4 = Low Speed
- = Fan Off

 **Light Slide Switch:** This Slider turns the light fixture On or OFF and adjust the Brightness of the fixture. OFF is all the way down.

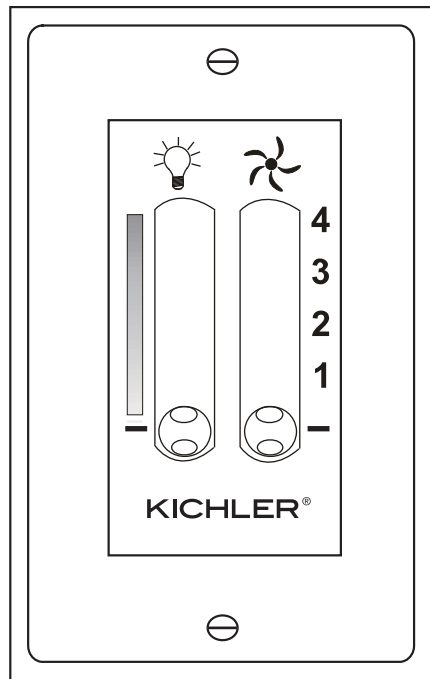


Fig. 5

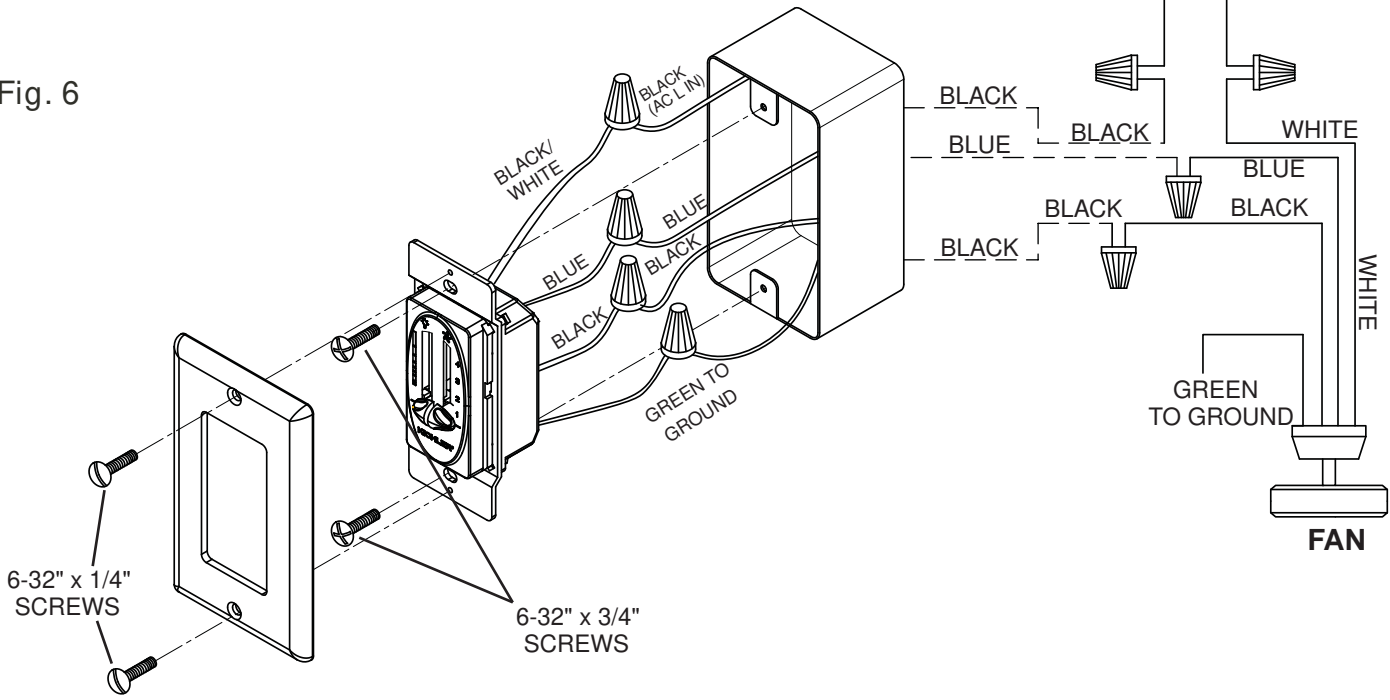
TROUBLESHOOTING GUIDE

If either slide switch does not work correctly, check the following.

- Check the main power supply and make sure the circuit is powered ON.
- Make sure the Manual Speed Pull Chain is set on HIGH SPEED.
- Make sure the Light Fixture pull chain is set in the ON position.

Warning!
Hook up “in series” only
Do not connect to hot and common wire of electric circuit or switch will be damaged. Refer to Fig. 6.

Fig. 6



Date Issued: 8/8/08