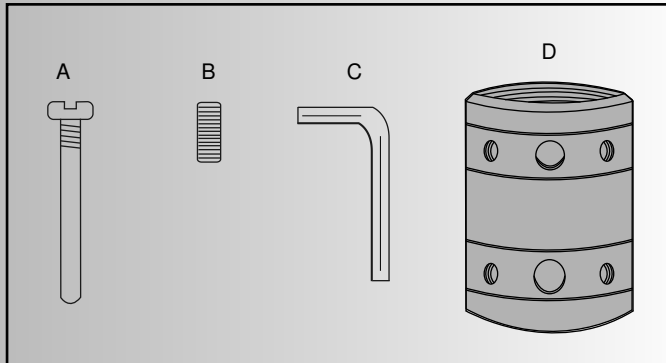


Downrod Coupler

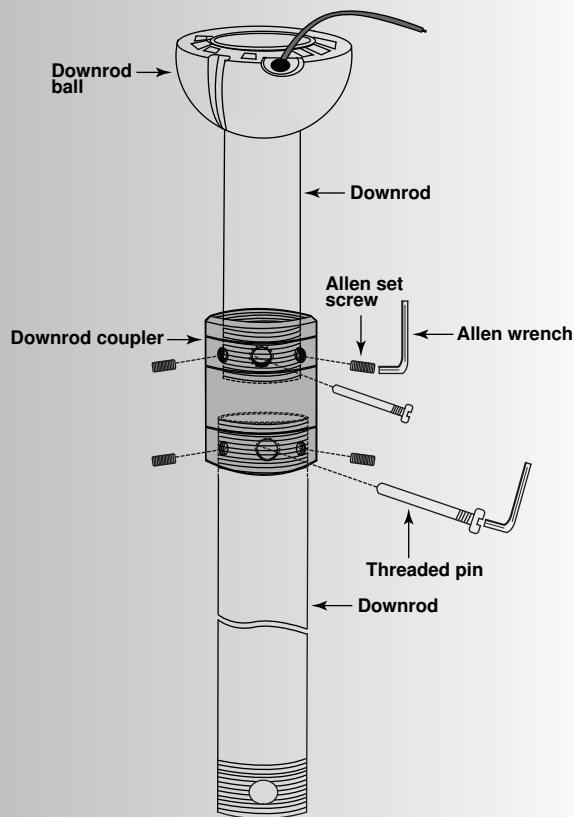


BE SURE TO FOLLOW ALL STEPS IN THE ORDER GIVEN. BE SURE POWER IS OFF AT FUSE, OR CIRCUIT BREAKER BOX.

- A) Threaded pin (2 Pcs)
- B) Allen set screws (4 Pcs)
- C) Allen wrench
- D) Downrod coupler

DOWNROD COUPLER ASSEMBLY

Refer to illustrations from this instruction manual.



Step 1. Remove hanger ball from downrod assembly by loosening set screws, removing the cross pin, and sliding ball off rod. Feed wires through the unthreaded side of the downrod coupler (D) and place it onto the downrod already installed on the fan. Align holes and secure with threaded pin (A). Install two Allen set-screws (B) and securely tighten with Allen wrench (C). Do not over-tighten.

Step 2. Thread downrod to the downrod coupler until tight and the holes are lined up. Secure with threaded pin (A). Install two Allen set-screws (B) and securely tighten with Allen wrench (C). Do not over-tighten. Feed wires through the threaded side of the second downrod.

Step 3. Carefully install the hanger ball onto the downrod, being sure that the cross-pin is in the correct position and tighten set screw.

Step 4. Now lift the motor assembly into position and place the hanger ball into hanger bracket. Rotate until the check groove has dropped into the registration slot and sits firmly. Rod should not rotate if this is done correctly.

Follow the steps from the instruction manual included with your fan to complete the installation of your fan.