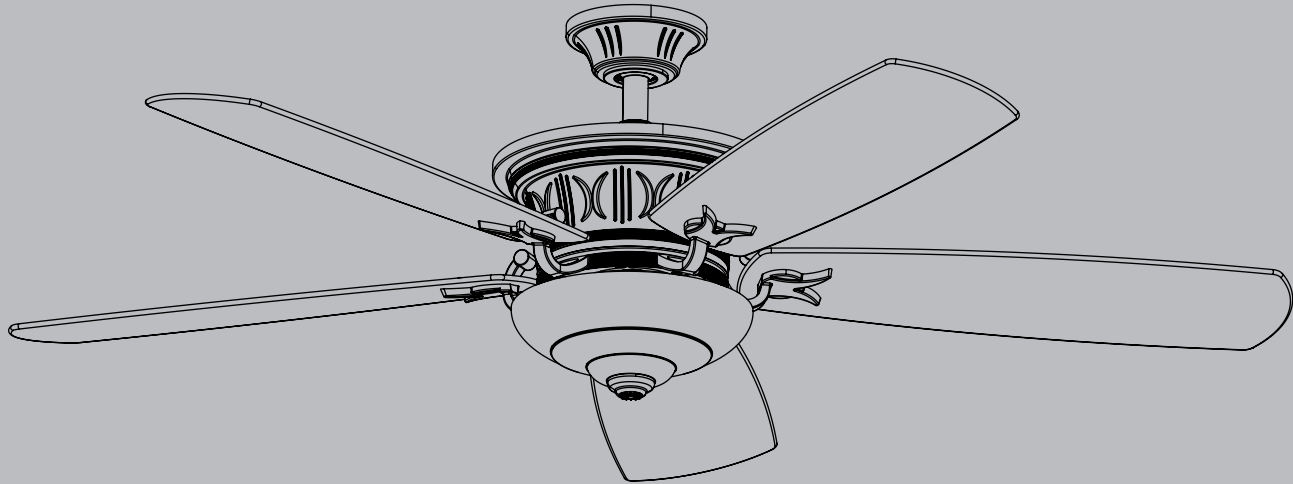


KICHLER®

56" Crescent

Product images may vary slightly from actual product.



READ AND SAVE THESE INSTRUCTIONS

INSTRUCTION MANUAL
Model# 300325


TABLE OF CONTENTS

SAFETY RULES	3	INSTALLING THE LIGHT PLATE	14
TOOLS REQUIRED	5	INSTALLING THE LIGHT KIT AND GLASS SHADE	15
PACKAGE CONTENTS	5	INSTALLING THE “COOLTOUCH” CONTROL SYSTEM WALL PLATE	16
MOUNTING OPTIONS	6	INSTALLING AND REMOVING THE HANDHELD TRANSMITTER	17
HANGING THE MOTOR ASSEMBLY	7	OPERATING INSTRUCTIONS	17
INSTALLATION OF SAFETY SUPPORT	10	REVERSE FUNCTION	19
ELECTRICAL CONNECTIONS	11	FCC INFORMATION.....	19
COMPLETING THE MOTOR INSTALLATION	12	TROUBLESHOOTING.....	20
ATTACHING THE FAN BLADES	13		

SAFETY RULES

READ AND SAVE THESE INSTRUCTIONS

WARNING: FOR CANADA, THIS FAN MUST BE SECURED DIRECTLY TO THE BUILDING STRUCTURE / CEILING JOIST. DON'T SECURE THIS FAN TO AN OUTLET BOX.

1. **CAUTION – RISK OF SHOCK –**
Disconnect Power at the main circuit breaker panel or main fusebox before starting and during the installation.
2. **WARNING:** This fixture is intended for installation in accordance with the National Electrical Code (NEC) and all local code specifications. If you are not familiar with code requirements, installation by a certified electrician is recommended.
3. **WARNING:** To reduce the risk of fire or electric shock, use only the control provided with the fan.
4. **WARNING:** To reduce the risk of fire, electric shock, or Personal Injury mount to an outlet box marked “Acceptable For Fan Support of up to 15.9 kg (35 lbs)”. For outlet box mounting, use mounting screws (and lock washers) provided with the outlet box. Most outlet boxes commonly used for the support of light fixtures are not acceptable for fan support and may need to be replaced. Due to the complexity of the installation of this fan, a qualified licensed electrician is strongly recommended.
5.  **WARNING:** Chemical Burn Hazard. Keep batteries away from children.; and

This product contains a lithium button/coin cell battery. If a new or used lithium button/coin cell battery is swallowed or enters the body, it can cause severe internal burns and can lead to death in as little as 2 hours. Always completely secure the battery compartment. If the battery compartment does not close securely, stop using the product, remove the batteries, and keep it away from children. If you think batteries might have been swallowed or placed inside any part of the body, seek immediate medical attention.

a) The cells shall be disposed of properly, including keeping them away from children; and

b) Even used cells may cause injury.
6. All wiring must be in accordance with the National Electrical Code ANSI/NFPA 70 and local electrical codes. Electrical installation should be performed by a qualified licensed electrician.

SAFETY RULES

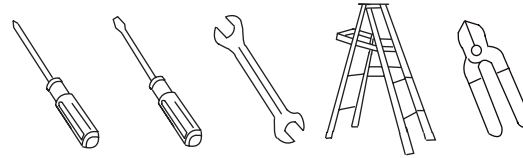
7. The outlet box and support structure must be securely mounted and capable of reliably supporting a minimum of 15.9 kg (35 pounds). Use only cULus Listed outlet boxes marked "FOR FAN SUPPORT".
8. **WARNING: TO REDUCE THE RISK OF FIRE, ELECTRIC SHOCK OR PERSONAL INJURY, MOUNT FAN TO OUTLET BOX MARKED "ACCEPTABLE FOR FAN SUPPORT".**
9. Avoid placing objects in the path of the blades.
10. To avoid personal injury or damage to the fan and other items, be cautious when working around or cleaning the fan.
11. To operate the reverse function on this fan, press the reverse button while the fan is running.
12. Make sure the installation site you choose allows a minimum clearance of 2.1 m (7 feet) from the blades to the floor and at least 30 inches from the ends of the blades to any obstruction.
13. **WARNING: make sure the power is disconnected before cleaning your fan.**
14. Do not use water or detergents when cleaning the fan or fan blades. A dry dust cloth or lightly dampened cloth will be suitable for most cleaning.
15. After making the electrical connections, spliced conductors should be turned upward and pushed carefully up into outlet box. The wires should be spread apart with the grounded conductor and the equipment-grounding conductor on one side of the outlet box and the ungrounded conductor on the other side of the outlet box.
16. Electrical diagrams are for reference only. Light kits that are not packed with the fan must be ETL Listed and marked suitable for use with the model fan you are installing. Switches must be ETL General Use Switches. Refer to the Instructions packaged with the light kits and switches for proper assembly.
17. All set screws must be checked, and retightened where necessary, before installation.
18. The subject fan 300325 weight information is as below:
Net Weight : 11.53 kgs / 25.37 lbs;
Gross Weight: 12.73 kgs / 28.01 lbs

WARNING

TO REDUCE THE RISK OF PERSONAL INJURY, DO NOT BEND THE BLADE BRACKETS DURING ASSEMBLY OR AFTER INSTALLATION. DO NOT INSERT OBJECTS IN THE PATH OF THE BLADES.

TOOLS AND MATERIALS REQUIRED

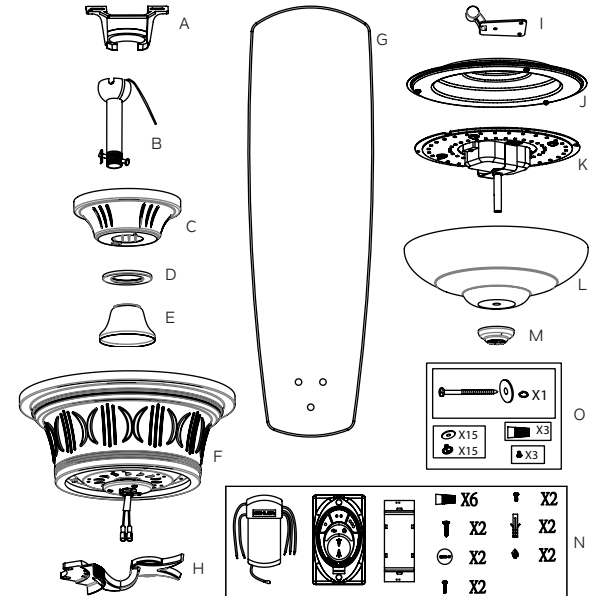
- Phillips Screwdriver
- Blade Screwdriver
- 11 mm Wrench
- Step Ladder
- Wire Cutters



PACKAGE CONTENTS

Unpack your fan and check the contents . You should have the following items:

- A. Mounting Bracket
- B. Ball / Downrod Assembly
- C. Canopy
- D. Canopy Hole Cover
- E. Coupling Cover
- F. Motor Assembly
- G. Fan Blade (5)
- H. Blade Bracket (5)
- I. Blade Cover (5)
- J. Light Plate
- K. Light Kit
- L. Glass Shade
- M. Finial
- N. Wall control Kit:
Receiver (1), Control (1), Metal Plate (1),
Wire connector (6), Wood Screw (2),
Battery (2), Long Screw (2),
Short Screw (2), Expansion Anchor (2),
Plastic Nut (2)
- O. Package hardware
 - 1.) Mounting hardware :
Wire Connector (3)
 - 2.) Blade attachment hardware :
Screws (15) , Washers (15)
 - 3.) Safety cable hardware :
Wood screw (1) , Spring washer (1),
Flat washer (1)
 - 4.) Light Kit Hardware: Screw (3)



MOUNTING OPTIONS

If there is not an existing UL (cUL for Canadian Installation) listed mounting box, then read the following instructions. Disconnect the power by removing fuses or turning off circuit breakers.

Secure the outlet box directly to the building structure. Use appropriate fasteners and building materials. The outlet box and its support must be able to fully support the full weight of the fan (up to 15.9kg (35 pounds)). Do not use plastic outlet boxes.

Figures 1, 2 and 3 are examples of different ways to mount the outlet box.

NOTE: If you are installing the ceiling fan on a sloped (vaulted) ceiling, you may need a longer downrod to maintain proper clearance between the tip of the blade and the ceiling. A minimum clearance of 12" is suggested for optimal operation.

NOTE: You must use 12" or longer downrod for 22° slope (max angle 22°). (Fig. 3)

NOTE: Depending on the location you have selected for installation, you may need to purchase and install a joist hanger for the support of the outlet box. Make sure the joist hanger you purchase has been designed for use with ceiling fans. (Fig. 4)

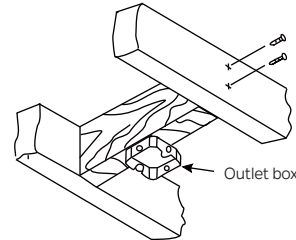


Fig. 1

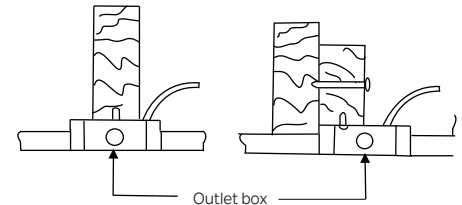


Fig. 2

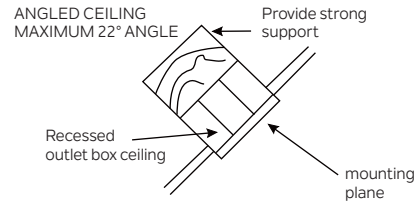
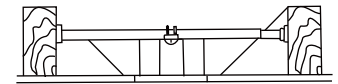


Fig. 3



Outlet box

Fig. 4

HANGING THE MOTOR ASSEMBLY

REMEMBER to turn off the power before you begin installation. This is necessary for your safety and also the proper programming of the control system.

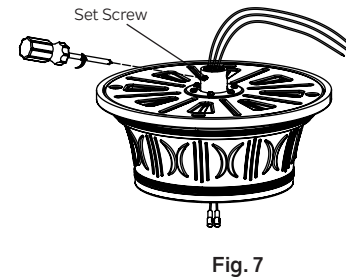
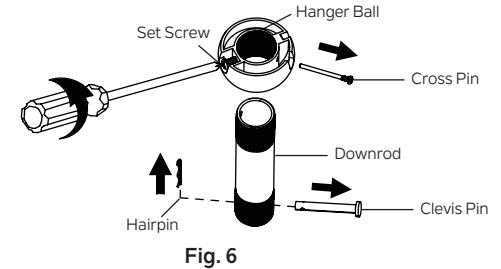
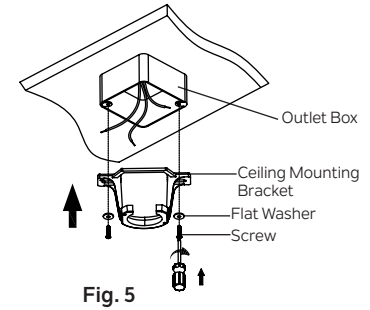
To properly install your ceiling fan, follow the steps below.

Step 1. Before attaching fan to outlet box (not included), ensure the outlet box is securely fastened to at least two points to a structural ceiling member (a loose box will cause the fan to wobble). Pass the 120 volt supply wires from the ceiling outlet box through the center of the ceiling mounting bracket. Install mounting bracket to outlet box in ceiling using the screws and washers included with the outlet box. (Fig. 5)

Step 2. Remove the hairpin and clevis pin from the downrod assembly, retain for later use. Remove the hanger ball from the downrod assembly by loosening set screw, removing the cross pin, and sliding ball of the rod. (Fig. 6)

NOTE: Make sure to keep loosened hardware separate to avoid confusion during installation.

Step 3. Loosen the two set screws on the motor coupling. (Fig. 7)



HANGING THE MOTOR ASSEMBLY (continued)

Step 4. Carefully feed fan wires and safety cable up through the downrod. Thread the downrod onto the motor coupling until the clevis pin holes are aligned. Next, replace the clevis pin and hairpin, then tighten both set screws. (Fig. 8)

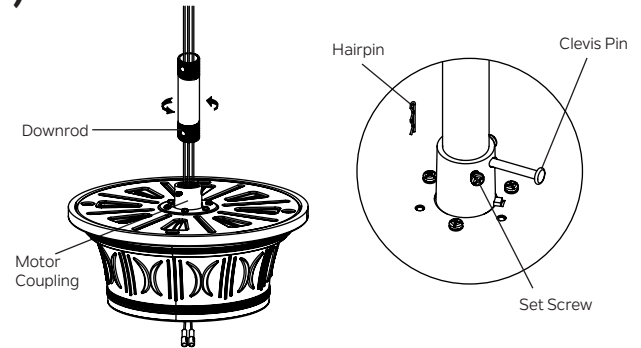


Fig. 8

Step 5. Slip the coupling cover, canopy hole cover and canopy onto the downrod. Carefully reinstall the hanger ball onto the downrod. Make sure the cross pin is in the correct position and the set screw is tight and the wires are not twisted. (Fig. 9)

CAUTION: Ensure all screws are tight before moving to the next step.

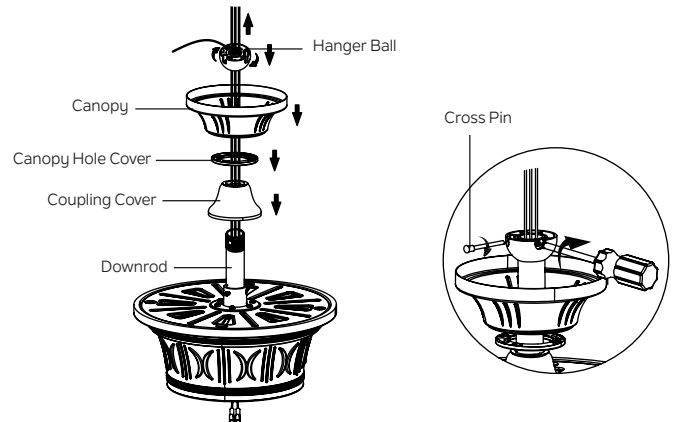


Fig. 9

HANGING THE MOTOR ASSEMBLY (continued)

Step 6. Now lift the motor assembly into position and place the hanger ball into the mounting bracket. Rotate until the check tab has dropped into the registration slot and seats firmly. (Fig. 10) The entire motor body should not rotate if this is done correctly.

WARNING: Failure to properly seat the check tab can damage the ceiling fan during operation.

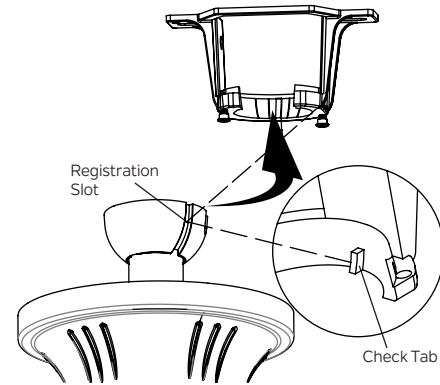


Fig. 10

INSTALLATION OF SAFETY SUPPORT (required for Canadian installation ONLY)

A safety support cable is provided to help prevent the ceiling fan from falling, please install it as follows.

Step 1. Drive a wood screw and washers into the side of the brace that holds the outlet box. Leave 3mm (1/8") of space between the support brace and the washer. (Fig. 11)

Step 2. Insert the safety cable through the mounting bracket and one of the holes in the outlet box into the ceiling. Adjust the length of the safety cable to reach the screw and washers by pulling the extra cable through the cable clamp until the overall length is correct, put the end of the cable back through the cable clamp, forming a loop at the end of the cable. Tighten the cable clamp securely. Now, put the loop in the end of the safety cable over the wood screw and under the washer. Tighten the wood screw securely. (Fig. 12)

NOTE: Although the safety support cable is required for Canadian installations only, it's a good idea to make the attachment with any installation.

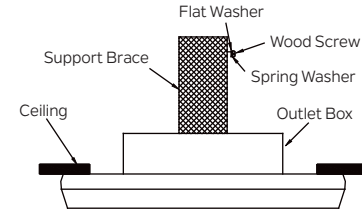


Fig. 11

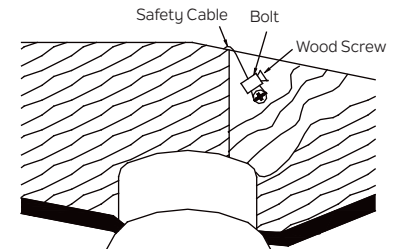


Fig. 12

ELECTRICAL CONNECTIONS

WARNING: To avoid possible electrical shock, be sure you have turned off the power at the main circuit panel before wiring.

Follow the steps below to connect the fan to your household wiring. Use the wire connectors supplied with your fan. Secure the connectors with electrical tape. Make sure there are no loose wire stands or connections.

WARNING: If your house wires are different colors than referenced in this manual, stop immediately. A professional electrician is recommended to determine proper wiring.

Step 1. Insert the receiver into the mounting bracket, and keep flat in opposition of ceiling. (Fig. 13)

Step 2. Motor to Receiver Electrical Connections: Connect the BLACK wire from the fan to BLACK wire marked "TO MOTOR L" from the receiver. Connect the WHITE wire from the fan to the WHITE wire marked "TO MOTOR N" from the receiver. Connect the BLUE wire from the fan to the BLUE wire marked "FOR LIGHT" from the receiver. Secure all the wire connections with the plastic wire connectors provided. (Fig. 14)

Step 3. Remote Receiver to Outlet Box Electrical Connections: Connect the BLACK (hot) wire from the ceiling to the BLACK wire marked "AC IN L" from the receiver. Connect the WHITE (Neutral) wire from the ceiling to the WHITE wire marked "AC IN N" from the receiver. Secure all the wire connections with the plastic wire connectors provided. (Fig. 14)

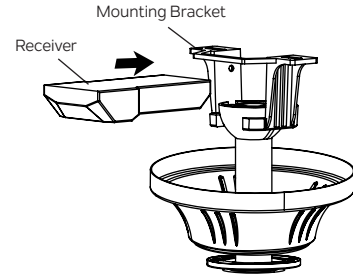


Fig. 13

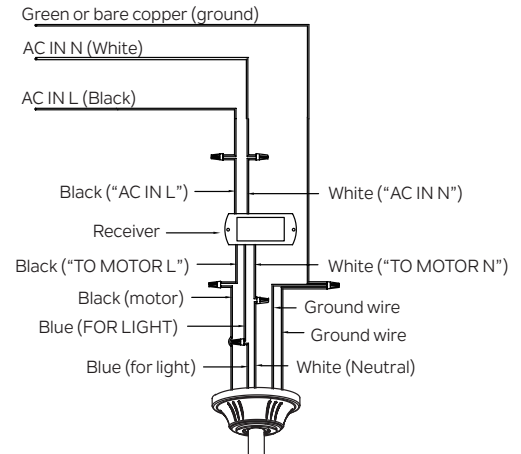


Fig. 14

ELECTRICAL CONNECTIONS

Step 4. If your outlet box has a ground wire (green or bare copper) connect it to the fan ground wires. Otherwise, connect the fan ground wire to the mounting bracket. Secure the wire connection with a plastic nut provided. After connecting the wires, spread them apart so that the green and white wires are on one side of the outlet box and black and blue wires are on the other side. (Fig. 14)

NOTE: Carefully tuck the wire connections up into the outlet box.

NOTE: Fan must be installed at a maximum distance of 30 feet from the transmitting unit for proper signal transmission between the transmitting unit and the fan's receiving unit.

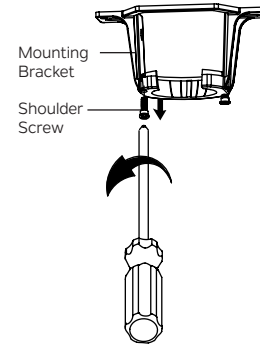


Fig. 15

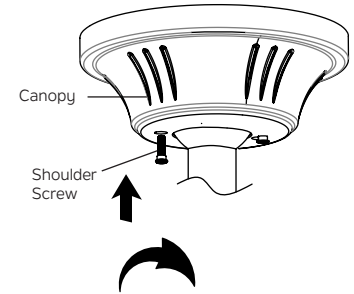


Fig. 16

COMPLETING THE MOTOR INSTALLATION

Step 1. Remove one of the two shoulder screws in the mounting bracket. Loosen the second shoulder screw without fully removing it. (Fig. 15)

Step 2. Assemble canopy by rotating key slot in canopy over shoulder screw in mounting bracket. Reinstall the shoulder screw that was previously removed, then retighten two shoulder screws securely. (Fig. 16)

Step 3. Securely attach and tighten the canopy hole cover over the shoulder screws in the mounting bracket utilizing the keyslot twist-lock feature. (Fig. 17)

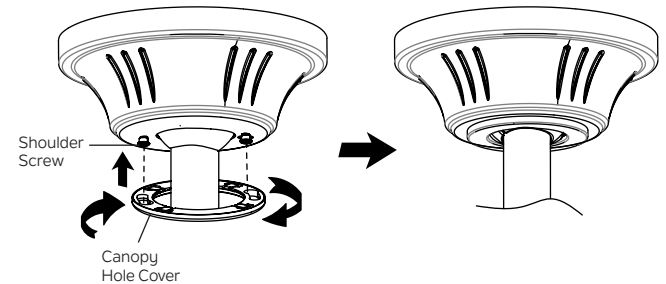


Fig. 17

ATTACHING THE FAN BLADES

CAUTION: To Reduce The Risk Of Electric Shock, Disconnect The Electrical Supply Circuit To The Fan Before Installing Fan Blades.

Step 1. Position the blade over the blade bracket with the threaded post showing. Make sure the bottom edge of the blade is fully seated against the blade bracket. Place blade cover on top of the blade, positioning the holes over the threaded posts. Tighten with three screws from the hardware pack to secure the blade to the blade bracket. (Fig.18)

Repeat for the remaining blades.

Step 2. Fasten blade assembly to the holes located on the bottom of the flywheel. Tighten the two pre-installed motor screws in the blade bracket. Repeat steps for the remaining blade assemblies. (Fig.19)

INSTALLING THE LIGHT PLATE

Step 1. Remove the screw marked with a brown dot label on the mounting plate and keep for later use. Loosen the other two (do not remove).(Fig.20)

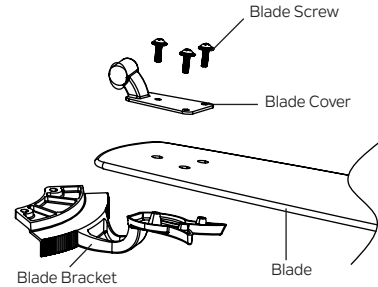


Fig. 18

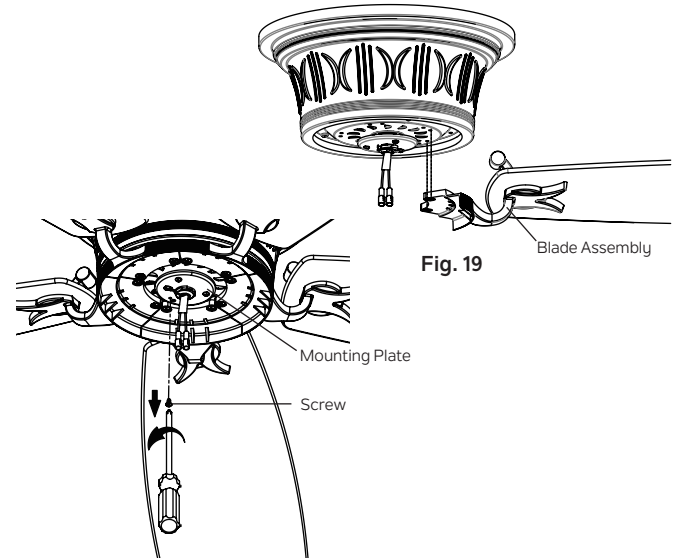


Fig. 20

INSTALLING THE LIGHT PLATE

Step 2. Place the two slot holes on the light plate over the 2 screws previously loosened from the mounting plate. Rotate the light plate until it locks in place at the narrow end of the key holes. Secure by tightening the 2 screws previously loosened and the one previously removed. (Fig. 21)

INSTALLING THE LIGHT KIT AND GLASS SHADE

CAUTION: To Reduce The Risk Of Electric Shock, Disconnect The Electrical Supply Circuit To The Fan Before Installing Light Kit.

Step 1. Hold the LED light kit to light plate, then connect the 2 single pin connectors from the light kit to the 2 single pin connectors from the motor assembly. Connect the black wire to black wire, and the white wire to white wire. Attach the light kit to the light plate and securely tighten with three (3) screws from the screw pack (Fig. 22)

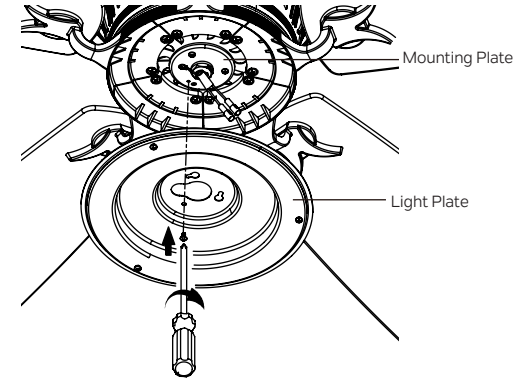


Fig. 21

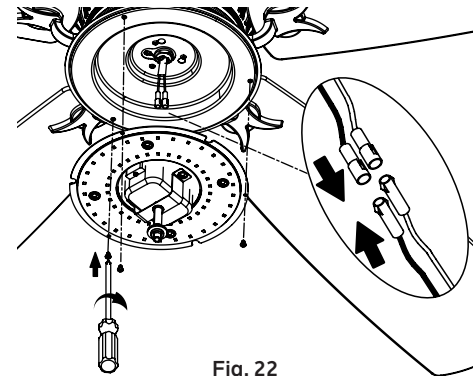


Fig. 22

INSTALLING THE LIGHT KIT AND GLASS SHADE

Step 2. Remove and retain the manual nut, metal washer and silicone washer from the threaded rod on the light kit. (Fig. 23)

Step 3. Lift the glass shade up to the light kit, allowing the threaded rod to go through the center hole in the bottom of the glass shade. Place the silicon washer and metal washer over the threaded rod, then screw the manual nut onto the threaded rod until tight. DO NOT OVER-TIGHTEN. (Fig.24)

Step 4. Screw the finial to the threaded rod and securely tighten. (Fig.25)

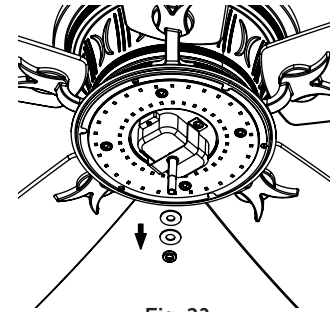


Fig. 23

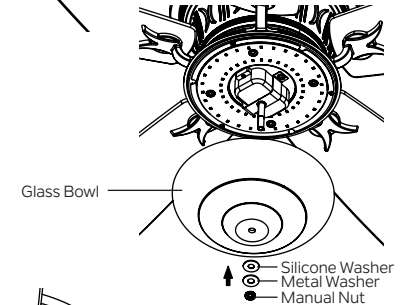


Fig. 24

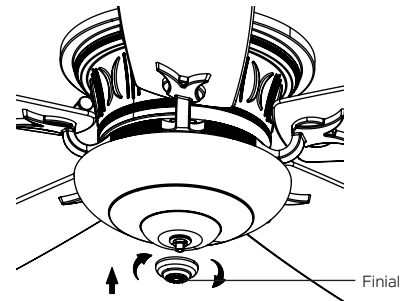


Fig. 25

INSTALLING THE COOLTOUCH™ CONTROL SYSTEM WALL PLATE

CAUTION: MAKE SURE THE ELECTRICITY IS TURNED OFF AT THE MAIN JUNCTION BOX OR THE CORRECT FUSE HAS BEEN PULLED OFF AT THE MAIN JUNCTION BOX BEFORE CONTINUING.

WARNING: All wiring must be in accordance with the National Electrical Code local electrical codes. Electrical installation should be performed by a qualified licensed electrician.

Select a location to install your “CoolTouch” Control System Transmitter. You can replace an existing wall switch, or install the transmitter on ANY flat surface.

WARNING: SWITCH INSTALLATION MUST COMPLY WITH ALL LOCAL AND NATIONAL ELECTRIC CODES.

Option 1. Install the control system using an existing wall switch outlet box.
Make sure the electrical power is TURNED OFF at the main panel before wiring.

Step 1. Remove the existing wall plate and the old switch from the wall outlet box. Wire the BLACK leads (hot) together with connector and push back inside the outlet box. (Fig. 24)

Step 2. Install the metal plate and “CoolTouch” wall plate to the existing wall outlet box with 4 screws provided. Then place the two plastic plugs into the wall plate. (Fig. 25)

Option 2: Install the control system on ANY flat surface:
Select the desired location and use the “CoolTouch” wall plate to make the location for the mounting holes. Plastic wall anchors and screws are provided for this type of installation. After installing the wall anchors, attach the “CoolTouch” wall plate with the mounting screws and then insert the plastic plugs to finish installation.

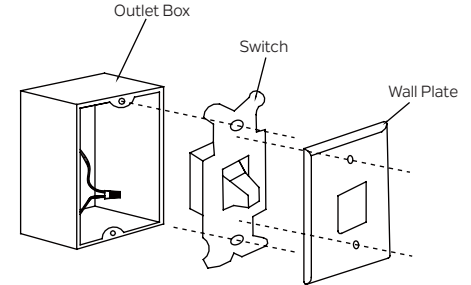


Fig. 26

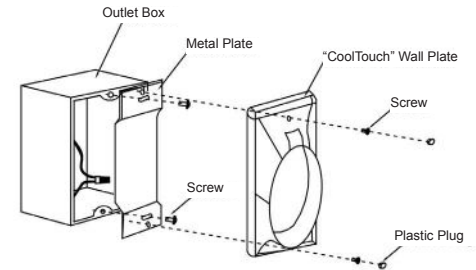


Fig. 27

INSTALLING AND REMOVING THE HANDHELD TRANSMITTER

Step 1. To place the transmitter in the wall plate, put the bottom end in first and then press the top into the wall plate. The transmitter is now held in the wall plate and will function from here. (Fig.26)

Step 2. To remove the transmitter from the wall plate, push the release button and the transmitter will fall into your hand.

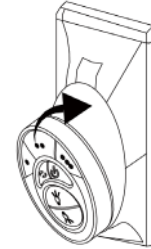


Fig. 28

OPERATING INSTRUCTIONS

⚠ WARNING: Chemical Burn Hazard. Keep batteries away from children.

Step 1. Using a screwdriver, remove the battery cover from the handset and save the screw for later use. (Fig. 27)

Step 2. To make fan operational, install two 3V CR2032 batteries (included). The batteries should be installed with the positive (+) side up. Replace with CR2032 batteries when necessary. (Fig. 28)

NOTE: If not used for long periods of time, remove batteries to prevent damage to the handset control. Store the control away from excessive heat or humidity.

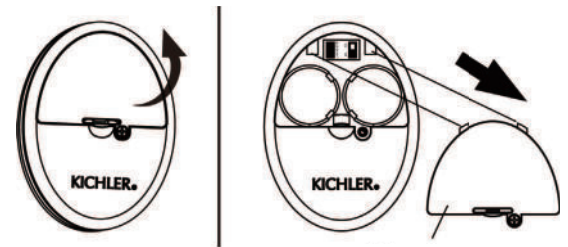


Fig. 29

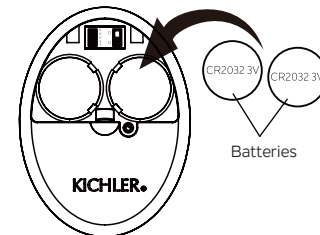


Fig. 30

OPERATING INSTRUCTIONS

NOTE: Each handset control carries a unique ID code to facilitate communication between paired devices. The ID code is set by factory and is not user changeable. However, you will be required to perform an ID code learning process manually under these circumstances:

- If you have multiple fans installed within a close proximity and want to control all fans using a same handset control.

NOTE: Each fan requires its own receiver.

- When your remote control is not responding (make sure battery is not dead).
- After you have replaced a faulty transmitter or receiver with a new one.

Otherwise the remote control will not work. To perform this process manually, follow steps below: After installing and wiring the unit, restore power to your fan, press and hold the “LEARN” key for 1-3 seconds, and the fan will turn on at medium speed and light (if installed) will turn on. This confirms that the learning process has been completed. This operation must be completed within 30 seconds after restoring power to the fan. (Fig. 29)

NOTE: Ensure slide switch in battery compartment marked “D O” is set to “D” position. (Fig. 29)

Step 4. Replace the battery cover and tighten with screwdriver. (Fig. 29)

Step 5. The buttons control the fan speed and light as follows: (Fig. 30)

•	Low speed
••	Medium speed
•••	High speed
⏻	Fan OFF
↻	Airflow (Forward or Reverse)
💡	No function (Do not use this button)
💡	a.) Light ON/OFF. b.) Press and hold to dim or brighten light to desired level.

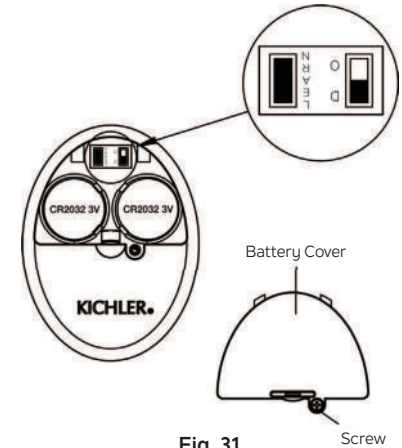


Fig. 31



Fig. 32

REVERSE FUNCTION

To operate the reverse function on this fan, press the “Reverse” button while fan is running. Speed setting for warm or cool weather depends on factors such as the room size, ceiling height, number of fans and so on.

Warm Weather Operation: Forward (counter clockwise). A downward airflow creates a cooling effect (Fig. 31). This allows you to set your air conditioner on a warmer setting without affecting your general comfort.

Cool Weather Operation: Reverse (clockwise). An upward airflow moves warm air off of the ceiling (Fig. 32). This allows you to set your heating unit on a cooler setting without affecting your general comfort.

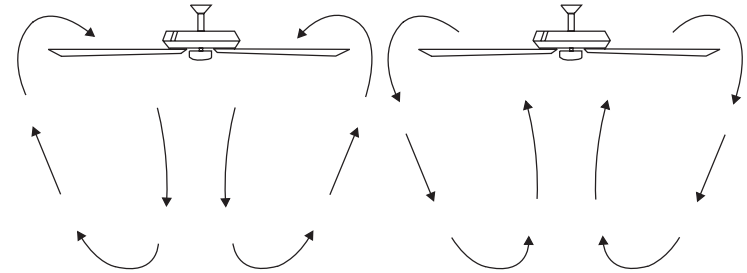


Fig. 33

Fig. 34

FCC Information

This device complies with part 15 of the FCC Rules. Operation is subject to the following two conditions:

- 1.) This device may not cause harmful interference, and
- 2.) This device must accept any interference received, including interference that may cause undesired operation.

Note: This equipment has been tested and found to comply with the limits for a Class B digital device, pursuant to part 15 of the FCC Rules. These limits are designed to provide reasonable protection against harmful interference in a residential installation. This equipment generates, uses and can radiate radio frequency energy and, if not installed and used in accordance with the instructions, may cause harmful interference to radio communications. However, there is no guarantee that interference will not occur in a particular installation. If this equipment does cause harmful interference to radio or television reception, which can be determined by turning the equipment off and on, the user is encouraged to try to correct the interference by one or more of the following measures:

- Reorient or relocate the receiving antenna.
- Increase the separation between the equipment and receiver.
- Connect the equipment into an outlet on a circuit different from that to which the receiver is connected.
- Consult the dealer or an experienced radio/TV technician for help.

TROUBLESHOOTING

Problem	Solution
Fan will not start.	<ol style="list-style-type: none">1. Check circuit fuses or breakers.2. Check all electrical connections to ensure proper contact. CAUTION: Make sure the main power is OFF when checking any electrical connection.3. Make sure the transmitter batteries are installed properly. Positive (+) side facing out.4. Ensure the batteries have a good charge.
Fan sounds noisy.	<ol style="list-style-type: none">1. Make sure all motor housing screws are snug.2. Make sure the screws that attach the fan blade brackets to the motor are tight.3. Make sure wire nut connections are not rubbing against each other or the interior wall of the switch housing. CAUTION: Make sure main power is off.4. Allow a 24-hour "breaking-in" period. Most noise associated with a new fan disappears during this time.5. If using an optional light kit, make sure the screws securing the glassware are tight. Make sure the light bulbs are not touching any other component.6. Do not connect this fan to a wall mounted variable speed control(s). They are not compatible with ceiling fan motors or remote controls.7. Make sure the upper canopy has a short distance from the ceiling. It should not touch the ceiling.
Fan wobble.	<ol style="list-style-type: none">1. Check that all blade and blade arm screws are secure.2. Most fan wobbling problems are caused when blade levels are unequal. Check this level by selecting a point on the ceiling above the tip of one of the blades. Measure this distance. Rotate the fan until the next blade is positioned for measurement. Repeat for each blade. The distance deviation should be equal within 1/8".3. If the blade wobble is still noticeable, interchanging two adjacent (side by side) blades can redistribute the weight and possibly result in smoother operation.
Remote control malfunction.	<ol style="list-style-type: none">1. Ceiling Fans with remote control systems CAN NOT be operated in conjunction with any other control system EXCEPT a basic On/off wall switch, if desired.

KICHLER®

www.kichler.com

KICHLER LIGHTING LLC
7711 EAST PLEASANT VALLEY ROAD
CLEVELAND, OHIO 44131

CUSTOMER SERVICE 866.558.5706
8:00 AM TO 5:00 PM EST, MONDAY - FRIDAY

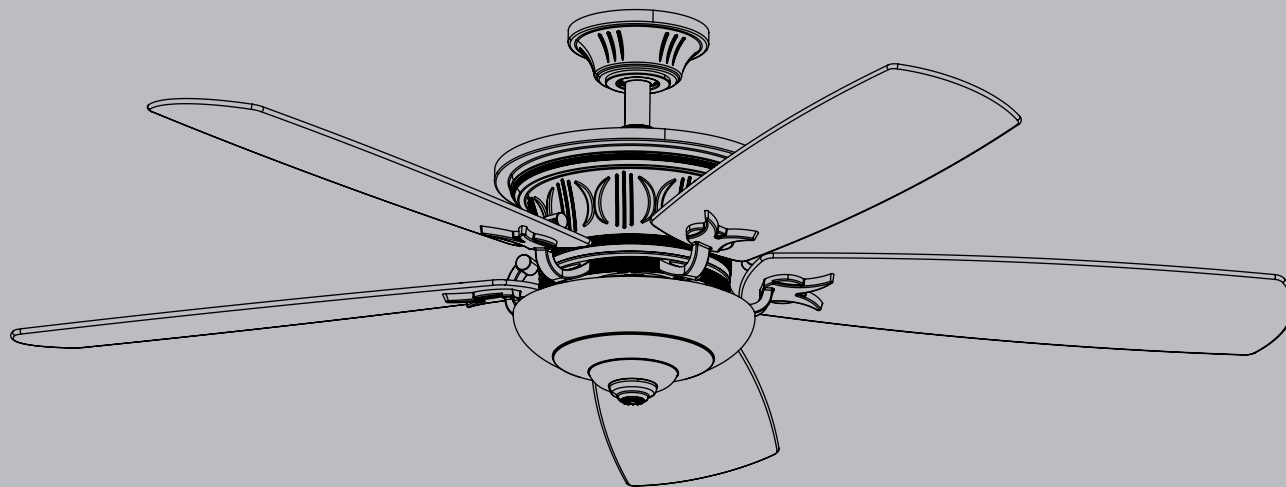
REV. 04-MAR-2022

© Kichler Lighting LLC. All Rights Reserved.

KICHLER®

Crescent 142,24 cm (56 po)

Les images du produit peuvent varier légèrement par rapport au produit réel.



LISEZ ET CONSERVEZ CES INSTRUCTIONS

MANUEL D'INSTRUCTIONS
Modèle n° 300325

TABLE DES MATIÈRES

LES RÈGLES DE SÉCURITÉ	3	INSTALLATION DE LA PLAQUE D'ÉCLAIRAGE	14
OUTILS NÉCESSAIRES	5	INSTALLATION DU KIT D'ÉCLAIRAGE ET DU VERRE	15
CONTENU DU COLIS	5	INSTALLATION DE LA PLAQUE MURALE DU SYSTÈME DE COMMANDE « COOLTOUCH »	16
OPTIONS DE MONTAGE	6	INSTALLATION ET DÉMONTAGE DE L'ÉMETTEUR PORTATIF	17
SUSPENDRE L'ENSEMBLE MOTEUR	7	MODE D'EMPLOI	17
INSTALLATION DU SUPPORT DE SÉCURITÉ	10	FONCTION INVERSE	19
CONNEXIONS ÉLECTRIQUES	11	INFORMATIONS CFC.....	19
TERMINER L'INSTALLATION DU MOTEUR	12	DÉPANNAGE.....	20
FIXATION DES PALES DU VENTILATEUR	13		

RÈGLES DE SÉCURITÉ

LISEZ ET CONSERVEZ CES INSTRUCTIONS

AVERTISSEMENT : POUR LE CANADA, CE VENTILATEUR DOIT ÊTRE FIXÉ DIRECTEMENT À LA STRUCTURE DU BÂTIMENT OU À LA SOLIVE DE PLAFOND. NE PAS FIXER CE VENTILATEUR À UNE BOÎTE DE SORTIE.

- 1. ATTENTION : RISQUE DE CHOC :**
Débranchez l'alimentation au panneau du disjoncteur principal ou à la boîte à fusibles principale avant de démarrer et pendant l'installation.
- 2. AVERTISSEMENT :** Ce luminaire est conçu pour être installé conformément au National Electrical Code (NEC) et à toutes les particularités du code local. Si vous n'êtes pas familier avec les exigences du code, l'installation par un électricien certifié est recommandée.
- 3. AVERTISSEMENT :** Pour réduire le risque d'incendie ou d'électrocution, utilisez uniquement la commande fournie avec le ventilateur.
- 4. AVERTISSEMENT :** Pour réduire le risque d'incendie, d'électrocution ou de blessure corporelle, montez sur un boîtier de sortie marquée « Acceptable pour un support de ventilateur de 15,9 kg (35 lb) ou moins ». Pour le montage du boîtier de sortie, utilisez les vis de montage (et les rondelles d'arrêt) fournies avec le boîtier de sortie. Il faudra probablement remplacer la boîte de sortie, car la plupart des boîtes de sortie utilisées pour soutenir des appareils d'éclairage ne sont pas acceptables pour soutenir un ventilateur. En raison de la complexité de l'installation de ce ventilateur, un électricien agréé qualifié est fortement recommandé.
- 5. ⚠ AVERTISSEMENT :** Risque de brûlure chimique. Gardez les piles hors de portée des enfants ; et

Ce produit contient une pile bouton au lithium. Si une pile bouton au lithium neuve ou usagée est avalée ou pénètre dans le corps, elle peut provoquer de graves brûlures internes et entraîner la mort en moins de 2 heures. Sécurisez toujours complètement le compartiment des piles. Si le compartiment des piles ne se ferme pas correctement, arrêtez d'utiliser le produit, retirez les piles et tenez-le hors de portée des enfants. Si vous pensez que des piles ont été avalées ou placées à l'intérieur d'une partie du corps, consultez immédiatement un médecin.

a) Les piles boutons doivent être éliminées de manière appropriée, y compris en les gardant hors de portée des enfants ; et

b) Même les piles boutons usagées peuvent causer des blessures.
- 6. Tout le câblage doit être conforme au National Electrical Code ANSI/NFPA 70 et aux codes électriques locaux. L'installation électrique doit être effectuée par un électricien qualifié et agréé.**

RÈGLES DE SÉCURITÉ

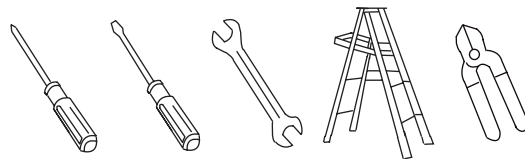
7. La boîte de sortie et la structure de support doivent être solidement montées et capables de supporter de manière fiable un minimum de 15,9 kg (35 lb). Utilisez uniquement des boîtiers de sortie cULus portant la mention « FOR FAN SUPPORT ».
8. **AVERTISSEMENT : POUR RÉDUIRE LE RISQUE D'INCENDIE, D'ÉLECTROCUTION OU DE BLESSURES CORPORELLES, MONTEZ LE VENTILATEUR SUR UN BOÎTIER DE SORTIE MARQUÉE « ACCEPTABLE POUR UN SUPPORT DE VENTILATEUR ».**
9. Évitez de placer des objets sur la trajectoire des pales.
10. Pour éviter des blessures corporelles ou des dommages au ventilateur et à d'autres éléments, soyez prudent lorsque vous travaillez autour ou nettoyez le ventilateur.
11. Pour activer la fonction d'inversion sur ce ventilateur, appuyez sur le bouton « Inversion » pendant que le ventilateur fonctionne.
12. Assurez-vous que le site d'installation que vous choisissez permet un dégagement minimum de 2,1 m (7 pi) entre les pales et le sol et d'au moins 30 pouces des extrémités des pales vers n'importe quel obstacle.
13. **AVERTISSEMENT : assurez-vous que l'alimentation est coupée avant de nettoyer votre ventilateur.**
14. N'utilisez pas d'eau ou de détergents pour nettoyer le ventilateur ou les pales du ventilateur. Un chiffon sec à poussière ou un chiffon légèrement humide conviendra pour la plupart des nettoyages.
15. Après avoir effectué les raccordements électriques, les conducteurs raccordés doivent être tournés vers le haut et poussés avec précaution dans le boîtier de sortie. Les fils doivent être écartés avec le conducteur mis à la terre et le conducteur de mise à la terre de l'équipement d'un côté de la boîte de sortie et le conducteur non mis à la terre de l'autre côté de la boîte de sortie.
16. Les schémas électriques sont fournis à titre indicatif uniquement. Les kits d'éclairage qui ne sont pas fournis avec le ventilateur doivent être homologués ETL et étiquetés comme appropriés pour une utilisation avec le modèle de ventilateur que vous installez. Les commutateurs doivent être des commutateurs à usage général ETL. Reportez-vous aux instructions fournies avec les kits d'éclairage et les interrupteurs pour un assemblage correct.
17. Toutes les vis de réglage doivent être vérifiées et resserrées si nécessaire avant l'installation.
18. Les informations sur le poids du ventilateur sujet 300325 sont les suivantes :
Poids net : 11,53 kg / 25,37 lb ;
Poids brut : 12,73 kg / 28,01 lb

AVERTISSEMENT

**POUR RÉDUIRE LES RISQUES DE BLESSURES CORPORELLES,
NE PLIEZ PAS LES PALES PENDANT LE MONTAGE OU
APRÈS L'INSTALLATION.
NE PAS INSÉRER D'OBJETS SUR LE PASSAGE DES PALES.**

OUTILS ET MATÉRIAUX NÉCESSAIRES

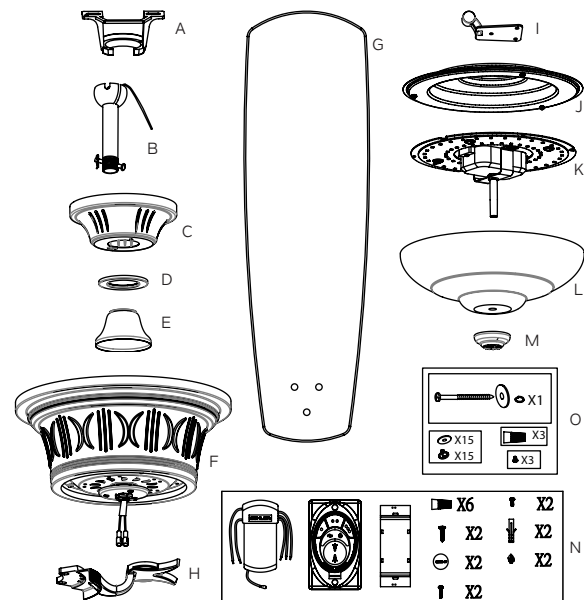
- Tournevis cruciforme
- Tournevis à lame
- Clé de 11 mm
- Escabeau
- Pincés coupantes



CONTENU DU COLIS

Déballer votre ventilateur et vérifiez le contenu. Vous devriez avoir les éléments suivants :

- A. Support de montage
 - B. Ensemble boule / tige descendante
 - C. Monture
 - D. Couvercle du trou de l'auvent
 - E. Couvercle d'accouplement
 - F. Assemblage du moteur
 - G. Pale de ventilateur (5)
 - H. Support de pale (5)
 - I. Couvre pale (5)
 - J. Plaque d'éclairage
 - K. Kit d'éclairage
 - L. Abat-jour en verre
 - M. Fleuron
 - N. Kit de commande murale :
Récepteur (1), commande (1), plaque métallique (1), connecteur de fil (6), vis à bois (2), pile (2), vis longue (2), vis courte (2), cheville d'expansion (2), écrou en plastique (2)
 - O. Matériel d'emballage
- 1.) Matériel de montage :
Connecteur de fil (3)
 - 2.) Matériel de fixation de pale :
Vis (15), rondelles (15)
 - 3.) Matériel du câble de sécurité :
Vis à bois (1), rondelle à ressort (1), rondelle plate (1)
 - 4.) Matériel de kit d'éclairage : Vis (3)



OPTIONS DE MONTAGE

S'il n'y a pas de boîtier de montage homologué UL (cUL pour installation canadienne), lisez les instructions suivantes. Débranchez l'alimentation en retirant les fusibles ou en désactivant les disjoncteurs.

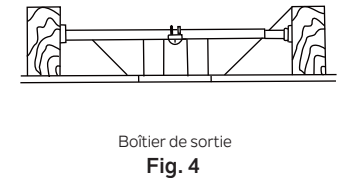
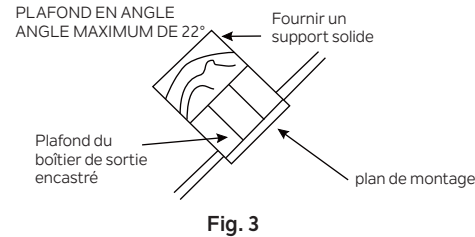
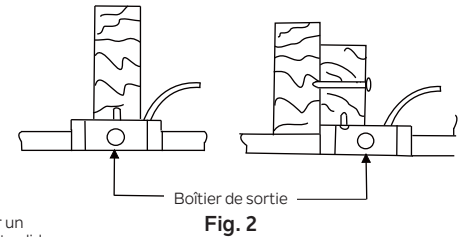
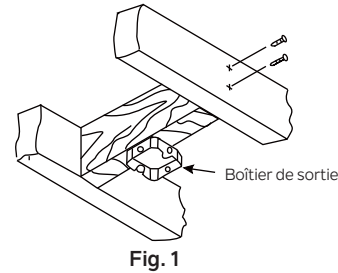
Fixez le boîtier de sortie directement à la structure du bâtiment. Utilisez des fixations et des matériaux de construction appropriés. Le boîtier de sortie et son support doivent pouvoir supporter entièrement le poids total du ventilateur (jusqu'à 15,9 kg (35 lb)). N'utilisez pas de boîtiers de sortie en plastique.

Les figures 1, 2 et 3 sont des exemples des différentes manières de monter le boîtier de sortie.

REMARQUE : Si vous installez le ventilateur de plafond sur un plafond en pente (voûté), vous aurez peut-être besoin d'une tige descendante plus longue pour maintenir un dégagement approprié entre la pointe de la pale et le plafond. Un dégagement minimum de 12" est suggéré pour un fonctionnement optimal.

REMARQUE : Vous devez utiliser une tige de descente de 30,48 cm (12 po) ou plus pour une pente de 22° (angle maximum de 22°). (Fig. 3)

REMARQUE : Selon l'endroit que vous avez choisi pour l'installation, vous devrez peut-être acheter et installer une suspente de solive pour soutenir le boîtier de sortie. Assurez-vous que la suspente de solive que vous achetez a été conçu pour être utilisé avec des ventilateurs de plafond. (Fig. 4)



SUSPENDRE L'ENSEMBLE MOTEUR

RAPPELEZ-VOUS de couper l'alimentation avant de commencer l'installation. Ceci est nécessaire pour votre sécurité et également pour la bonne programmation du système de commande.

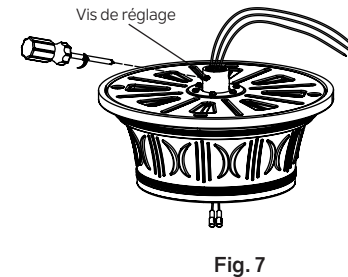
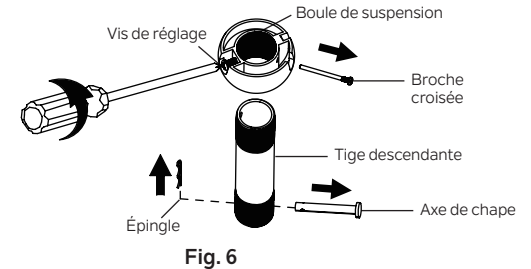
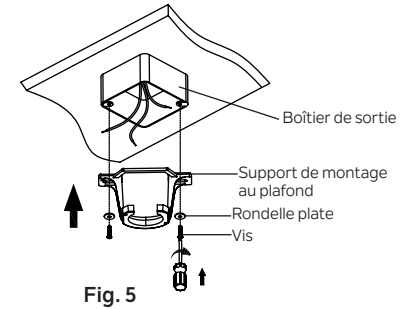
Pour installer correctement votre ventilateur de plafond, suivez les étapes ci-dessous.

Étape 1. Avant de fixer le ventilateur au boîtier de sortie (non incluse), assurez-vous que le boîtier de sortie est solidement fixé à au moins deux points à un élément du plafond structurel (un boîtier desserré fera vaciller le ventilateur). Faites passer les fils d'alimentation de 120 volts du boîtier de sortie au plafond par le centre du support de montage au plafond. Installez le support de montage sur le boîtier de sortie au plafond à l'aide des vis et rondelles fournies avec le boîtier de sortie. (Fig. 5)

Étape 2. Retirez l'épingle et l'axe de chape de l'ensemble de tige de descente, conservez-les pour une utilisation ultérieure. Retirez la boule de suspension de l'assemblage de la tige descendante en desserrant les vis de réglage, en retirant la goupille transversale et en tournant la boule hors de la tige. (Fig. 6)

REMARQUE : Assurez-vous de garder le matériel détaché séparément pour éviter toute confusion lors de l'installation.

Étape 3. Desserrez les deux vis de réglage sur le couplage du moteur. (Fig. 7)



SUSPENDRE L'ENSEMBLE MOTEUR (suite)

Étape 4. Faites passer avec précaution les fils du ventilateur et le câble de sécurité à travers la tige descendante. Vissez la tige descendante sur l'accouplement du moteur jusqu'à ce que les trous des broches de la chape soient alignés. Ensuite, remplacez l'axe de chape et l'épingle, puis serrez les deux vis de réglage. (Fig. 8)

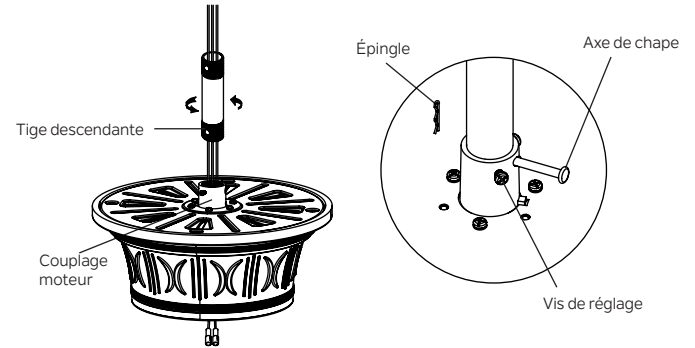


Fig. 8

Étape 5. Glissez le couvercle du couplage, le couvercle de l'orifice de l'auvent et le couvercle sur la tige descendante. Réinstallez soigneusement la boule de suspension sur la tige de suspension. Assurez-vous que la broche croisée est dans la bonne position et que la vis de réglage est serrée et que les fils ne sont pas tordus. (Fig. 9)

ATTENTION : Assurez-vous que toutes les vis sont serrées avant de passer à l'étape suivante.

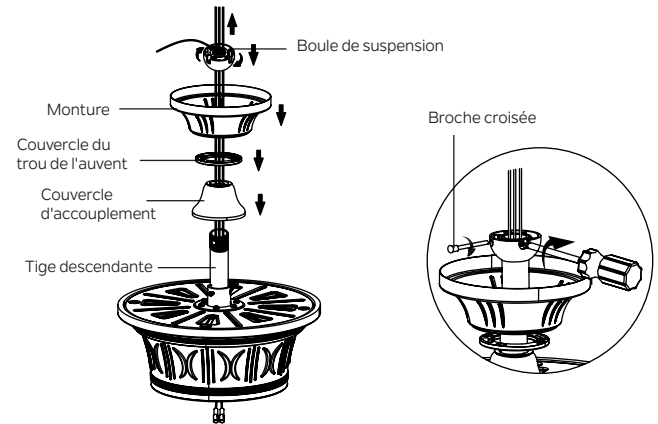


Fig. 9

SUSPENDRE L'ENSEMBLE MOTEUR (suite)

Étape 6. Soulevez maintenant l'assemblage du moteur et placez la boule de suspension dans le support de montage. Tournez jusqu'à ce que la languette de contrôle soit tombée dans la fente d'enregistrement et soit fermement en place. (Fig.10) L'ensemble du corps du moteur ne doit pas tourner si cela est fait correctement.

AVERTISSEMENT : Le fait de ne pas installer correctement la languette de contrôle peut endommager le ventilateur de plafond pendant le fonctionnement.

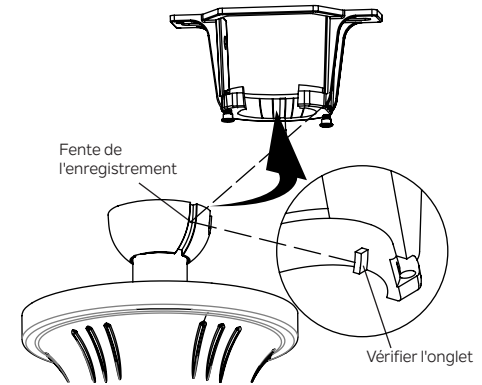


Fig. 10

INSTALLATION DU SUPPORT DE SÉCURITÉ (requis pour l'installation canadienne UNIQUEMENT)

Un câble de support de sécurité est fourni pour aider à empêcher le ventilateur de plafond de tomber, veuillez l'installer comme suit.

Étape 1. Enfoncez une vis à bois et des rondelles dans le côté de l'entretoise qui maintient le boîtier de sortie. Laissez 3 mm (1/8") d'espace entre le renfort de support et la rondelle. (Fig. 11)

Étape 2. Insérez le câble de sécurité à travers le support de montage et l'un des trous du boîtier de sortie dans le plafond. Ajustez la longueur du câble de sécurité pour atteindre la vis et les rondelles en tirant le câble supplémentaire à travers le serre-câble jusqu'à ce que la longueur totale soit correcte, remettez l'extrémité du câble à travers le serre-câble, formant une boucle à l'extrémité du câble. Serrez fermement le serre-câble. Maintenant, placez la boucle à l'extrémité du câble de sécurité sur la vis à bois et sous la rondelle. Serrez fermement la vis à bois. (Fig. 12)

REMARQUE : Bien que le câble de support de sécurité ne soit requis que pour les installations au Canada, c'est une bonne idée d'effectuer la fixation avec n'importe quelle installation.

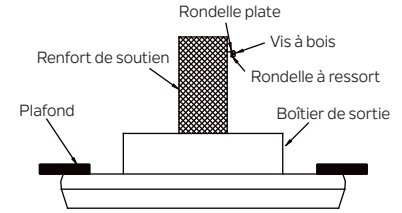


Fig. 11

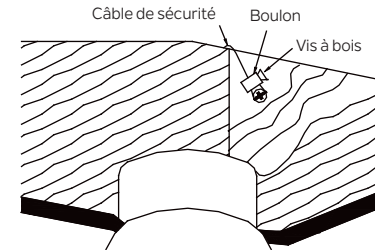


Fig. 12

RACCORDEMENTS ÉLECTRIQUES

AVERTISSEMENT : Pour éviter tout risque d'électrocution, assurez-vous d'avoir coupé l'alimentation au panneau de circuit principal avant de procéder au câblage.

Suivez les étapes ci-dessous pour raccorder le ventilateur à votre câblage domestique. Utilisez les connecteurs de fils fournis avec votre ventilateur. Fixez les connecteurs avec du ruban isolant. Assurez-vous qu'il n'y a pas de supports de câbles ou de raccords desserrés.

AVERTISSEMENT : Si les fils de votre maison sont de couleurs différentes de celles indiquées dans ce manuel, arrêtez immédiatement. Un électricien professionnel est recommandé pour déterminer le câblage approprié.

Étape 1. Insérez le récepteur dans le support de montage et maintenez-le à plat face au plafond. (Fig. 13)

Étape 2. Raccordements électriques du moteur au récepteur : Raccordez le fil NOIR du ventilateur au fil NOIR marqué « VERS MOTEUR L » du récepteur. Raccordez le fil BLANC du ventilateur au fil BLANC marqué « VERS MOTEUR N » du récepteur. Raccordez le fil BLEU du ventilateur au fil BLEU marqué « POUR LA LUMIÈRE » du récepteur. Fixez tous les raccords de fils avec les connecteurs de fils en plastique fournis. (Fig. 14)

Étape 3. Raccordements électriques du récepteur à distance au boîtier de sortie : Raccordez le fil NOIR (chaud) du plafond au fil NOIR marqué « AC DANS L » depuis le récepteur. Raccordez le fil BLANC (Neutre) du plafond au fil BLANC marqué « AC DANS N » depuis le récepteur. Fixez tous les raccords de fils avec les connecteurs de fils en plastique fournis. (Fig. 14)

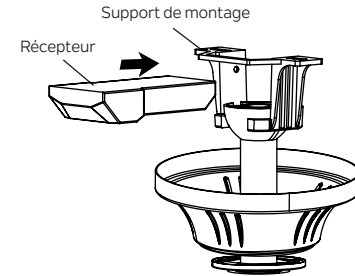


Fig. 13

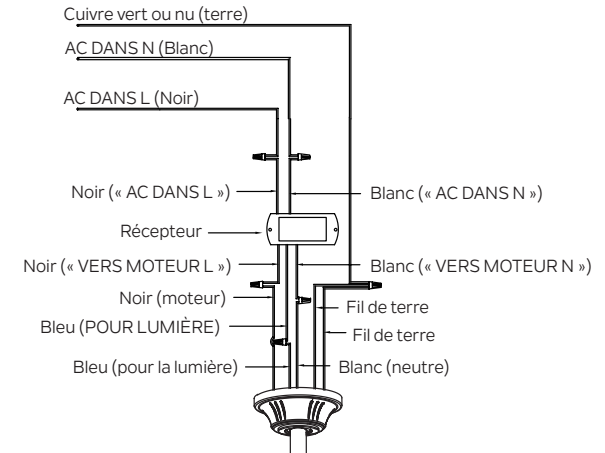


Fig. 14

RACCORDEMENTS ÉLECTRIQUES

Étape 4. Si votre boîtier de sortie a un fil de terre (cuivre vert ou nu), raccordez-le aux fils de terre du ventilateur. Sinon, connectez le fil de terre du ventilateur au support de montage. Fixez le raccord du fil avec un écrou en plastique fourni. Après avoir raccordé les fils, écartez-les de manière à ce que les fils vert et blanc soient d'un côté du boîtier de sortie et que les fils noirs et bleus soient de l'autre côté. (Fig. 14)

REMARQUE : Rentrez soigneusement les raccordements des fils dans le boîtier de sortie.

REMARQUE : Le ventilateur doit être installé à une distance maximale de 30 pieds de l'unité de transmission pour une transmission correcte du signal entre l'unité de transmission et l'unité de réception du ventilateur.

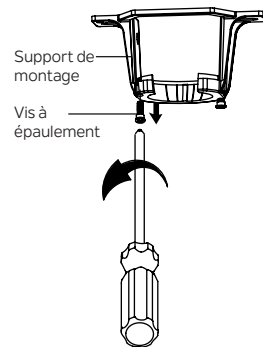


Fig. 15

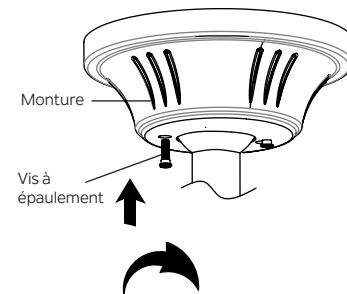


Fig. 16

TERMINER L'INSTALLATION DU MOTEUR

Étape 1. Retirez l'une des deux vis à épaulement du support de montage. Desserrez la deuxième vis à épaulement sans la retirer complètement. (Fig 15)

Étape 2. Assemblez l'auvent en tournant la fente de la clé dans l'auvent sur la vis à épaulement dans le support de montage. Réinstallez la vis à épaulement précédemment retirée, puis serrez fermement les deux vis à épaulement. (Fig. 16)

Étape 3. Fixez et serrez solidement le couvercle du trou de l'auvent sur les vis à épaulement du support de montage en utilisant la fonction de verrouillage par rotation de la rainure de clé. (Fig.17)

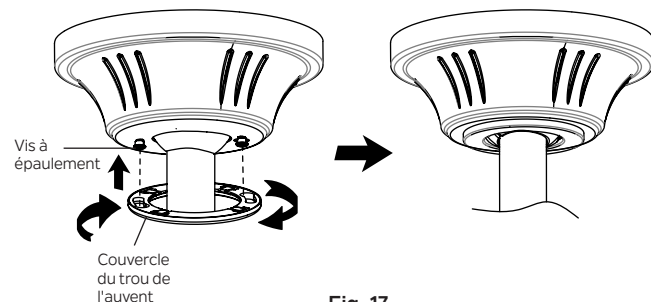


Fig. 17

FIXATION DES PALES DU VENTILATEUR

ATTENTION : Pour réduire le risque de choc électrique, débranchez le circuit d'alimentation électrique du ventilateur avant d'installer les pales du ventilateur.

Étape 1. Positionnez la pale sur le support de pale avec la tige filetée visible. Assurez-vous que le bord inférieur de la pale repose entièrement contre le support de pale. Placez le couvre-pale sur le dessus de la pale, en positionnant les trous sur les tiges filetées. Serrez avec trois vis du pack de quincaillerie pour fixer la pale au support de pale. (Fig.18)

Répétez pour les autres pales.

Étape 2. Fixez l'assemblage de la pale aux trous situés au bas du volant d'inertie. Serrez les deux vis de moteur préinstallées dans le support de pale. Répétez les étapes pour les assemblages des pales restantes. (Fig.19)

INSTALLATION DE LA PLAQUE D'ÉCLAIRAGE

Étape 1. Retirez la vis marquée d'une étiquette à points sur la plaque de montage et conservez-la pour une utilisation ultérieure. Desserrez les deux autres (ne les retirez pas). (Fig. 20)

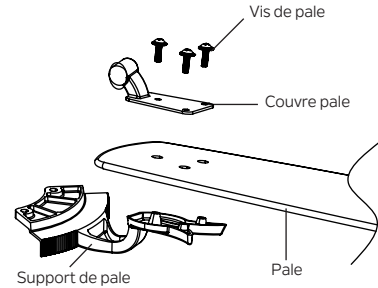


Fig. 18

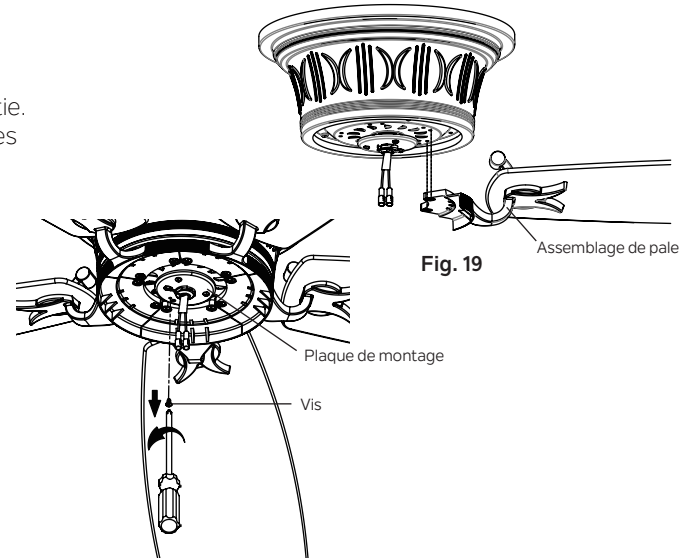


Fig. 20

INSTALLATION DE LA PLAQUE D'ÉCLAIRAGE

Étape 2. Placez les deux trous de fente sur la plaque d'éclairage sur les 2 vis précédemment desserrées depuis la plaque de montage. Faites pivoter la plaque d'éclairage jusqu'à ce qu'elle se verrouille en place à l'extrémité étroite des trous de clé. Fixez en serrant les 2 vis précédemment desserrées et celle précédemment retirée. (Fig. 21)

INSTALLATION DU KIT D'ÉCLAIRAGE ET DU VERRE

ATTENTION : Pour réduire le risque de choc électrique, débranchez le circuit d'alimentation électrique du ventilateur avant d'installer le kit d'éclairage.

Étape 1. Tenez le kit d'éclairage LED sur la plaque d'éclairage, puis connectez les 2 connecteurs à une broche du kit d'éclairage aux 2 connecteurs à une broche de l'ensemble moteur. Connectez le fil noir au fil noir et le fil blanc au fil blanc. Fixez le kit d'éclairage à la plaque d'éclairage et serrez solidement avec trois (3) vis du jeu de vis (Fig. 22)

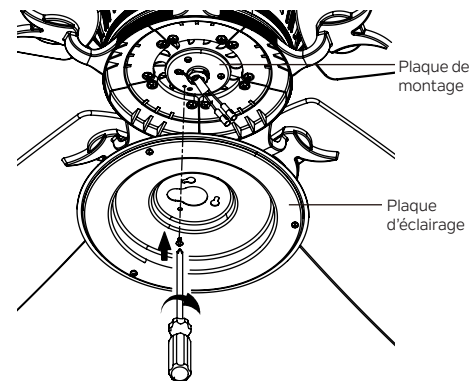


Fig. 21

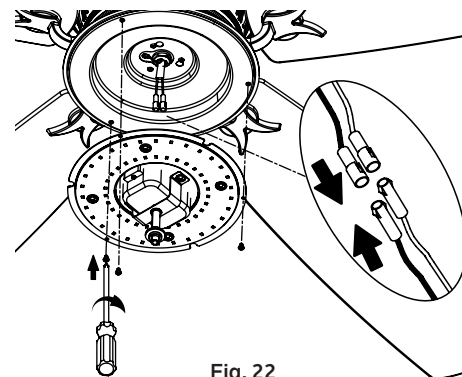


Fig. 22

INSTALLATION DU KIT D'ÉCLAIRAGE ET DU VERRE

Étape 2. Retirez et conservez l'écrou manuel, la rondelle métallique et la rondelle en silicone de la tige filetée du kit d'éclairage. (Fig. 23)

Étape 3. Soulevez l'abat-jour en verre jusqu'au kit d'éclairage, permettant à la tige filetée de passer par le trou central au bas de l'abat-jour en verre. Placez la rondelle en silicone et la rondelle métallique sur la tige filetée, puis vissez l'écrou manuel sur la tige filetée jusqu'à ce qu'il soit bien serré. NE SERREZ PAS TROP. (Fig.24)

Étape 4. Vissez le fleuron à la tige filetée et serrez fermement. (Fig.25)

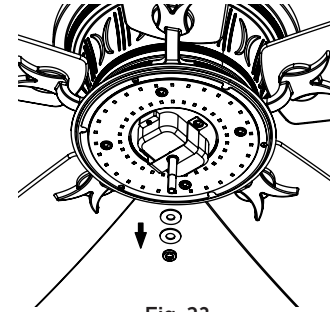
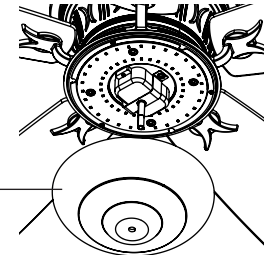


Fig. 23



↑
○ Rondelle silicone
○ Rondelle métallique
● Écrou manuel

Fig. 24

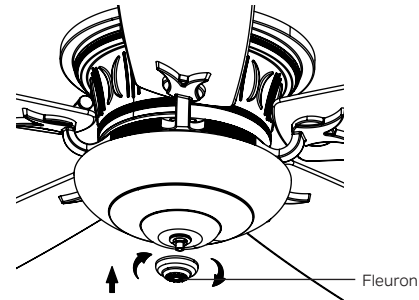


Fig. 25

INSTALLATION DE LA PLAQUE MURALE DU SYSTÈME DE COMMANDE COOLTOUCH™

ATTENTION : ASSUREZ-VOUS QUE L'ÉLECTRICITÉ EST COUPÉE AU NIVEAU DE LA BOÎTE DE RACCORDEMENT PRINCIPALE OU QUE LE FUSIBLE CORRECT A ÉTÉ RETIRÉ AU NIVEAU DE LA BOÎTE DE RACCORDEMENT PRINCIPALE AVANT DE CONTINUER.

AVERTISSEMENT : Tout le câblage doit être conforme au National Electrical Code et aux codes électriques locaux. L'installation électrique doit être effectuée par un électricien qualifié et agréé.

Sélectionnez un emplacement pour installer votre émetteur de système de commande « CoolTouch ». Vous pouvez remplacer un interrupteur mural existant ou installer l'émetteur sur N'IMPORTE QUELLE surface plane.

AVERTISSEMENT : L'INSTALLATION DE L'INTERRUPTEUR DOIT ÊTRE CONFORME À TOUS LES CODES ÉLECTRIQUES LOCAUX ET NATIONAUX.

Option 1. Installez le système de commande à l'aide d'un boîtier de prise de courant mural existant. **Assurez-vous que l'alimentation électrique est COUPÉE au niveau du panneau principal avant le câblage.**

Étape 1. Retirez la plaque murale existante et l'ancien interrupteur de la boîte de prise murale. Câblez les fils NOIR (chauds) avec le connecteur et repoussez à l'intérieur de la boîte de sortie. (Fig. 24)

Étape 2. Installez la plaque métallique et la plaque murale « CoolTouch » sur la boîte de prise murale existante avec les 4 vis fournies. Placez ensuite les deux chevilles en plastique dans la plaque murale. (Fig. 25)

Option 2 : Installez le système de commande sur N'IMPORTE QUELLE surface plane : Sélectionnez l'emplacement souhaité et utilisez la plaque murale « CoolTouch » pour réaliser l'emplacement des trous de montage. Des ancrages muraux en plastique et des vis sont fournis pour ce type d'installation. Après avoir installé les ancrages muraux, fixez la plaque murale « CoolTouch » avec les vis de montage, puis insérez les chevilles en plastique pour terminer l'installation.

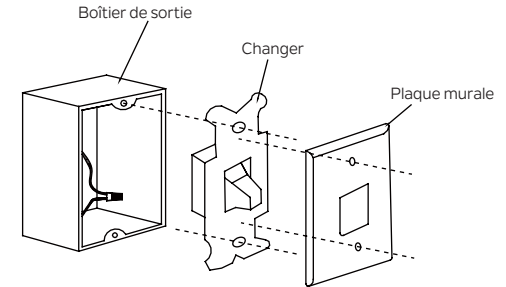


Fig. 26

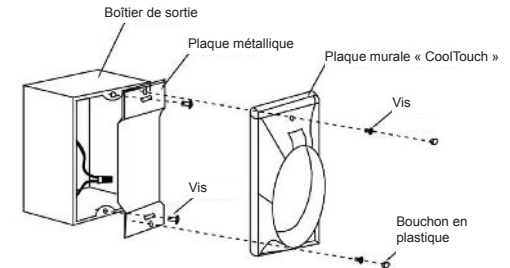


Fig. 27

INSTALLATION ET RETRAIT DE L'ÉMETTEUR PORTATIF

Étape 1. Pour placer l'émetteur dans la plaque murale, insérez d'abord l'extrémité inférieure, puis appuyez sur le haut dans la plaque murale. L'émetteur est maintenant maintenu dans la plaque murale et fonctionnera à partir d'ici. (Fig.26)

Étape 2. Pour retirer l'émetteur de la plaque murale, appuyez sur le bouton de déverrouillage et l'émetteur tombera dans votre main.

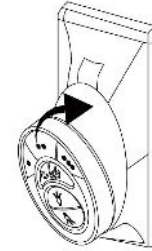


Fig. 28

INSTRUCTIONS D'UTILISATION

⚠ AVERTISSEMENT : Risque de brûlure chimique. Gardez les piles hors de portée des enfants.

Étape 1. À l'aide d'un tournevis, retirez le couvercle des piles du combiné et conservez la vis pour une utilisation ultérieure. (Fig. 27)

Étape 2. Pour rendre le ventilateur opérationnel, installez deux piles 3V CR2032 (incluses). Les piles doivent être installées avec le côté positif (+) vers le haut. Remplacez-les par des piles CR2032 si nécessaire. (Fig. 28)

REMARQUE : Si elle n'est pas utilisée pendant de longues périodes, retirez les piles pour éviter d'endommager la télécommande. Stockez la télécommande à l'abri d'une chaleur ou d'une humidité excessive.

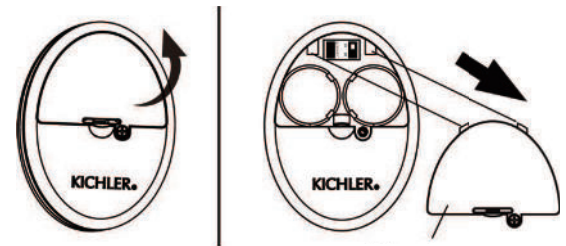


Fig. 29

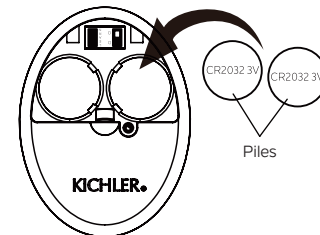


Fig. 30

INSTRUCTIONS D'UTILISATION

REMARQUE : Chaque télécommande porte un code d'identification unique pour faciliter la communication entre les appareils couplés. Le code d'identification est défini en usine et n'est pas modifiable par l'utilisateur. Cependant, vous devrez effectuer manuellement un processus d'apprentissage du code d'identification dans ces circonstances :

- Si vous avez plusieurs ventilateurs installés à proximité et que vous souhaitez contrôler tous les ventilateurs à l'aide d'une même télécommande.

REMARQUE : Chaque ventilateur nécessite son propre récepteur.

- Lorsque votre télécommande ne répond pas (assurez-vous que la pile n'est pas déchargée).
- Après avoir remplacé un émetteur ou un récepteur défectueux par un neuf.

Sinon, la télécommande ne fonctionnera pas. Pour effectuer ce processus manuellement, suivez les étapes ci-dessous : Après l'installation et le câblage de l'unité, rétablissez l'alimentation de votre ventilateur, appuyez sur la touche « LEARN » et maintenez-la enfoncée pendant 1 à 3 secondes, le ventilateur se mettra en marche à vitesse moyenne et la lumière (si installée) s'allumera. Cela confirme que le processus d'apprentissage est terminé. Cette opération doit être effectuée dans les 30 secondes suivant la remise sous tension du ventilateur. (Fig. 29)

REMARQUE : Assurez-vous que l'interrupteur à glissière dans le compartiment à piles marqué « D O » est en position « D ». (Fig. 29)

Étape 4. Remettez le couvercle de la pile et serrez avec un tournevis. (Fig. 29)

Étape 5. Les boutons contrôlent la vitesse et la lumière du ventilateur comme suit : (Fig. 30)

•	Vitesse faible
••	Vitesse moyenne
•••	Vitesse élevée
⏻	Ventilateur Arrêté
↻	Flux d'air (avant ou arrière)
💡	Aucune fonction (ne pas utiliser ce bouton)
🔦	a.) Lumière MARCHE/ARRÊT. b.) Appuyez et maintenez pour atténuer ou éclaircir la lumière au niveau souhaité.

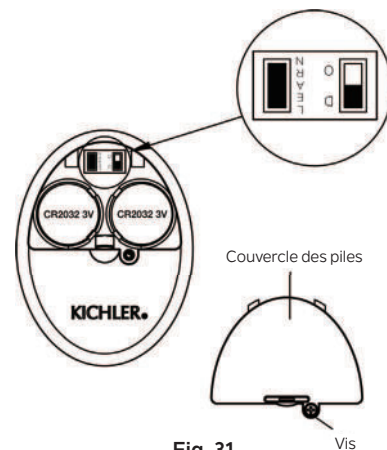


Fig. 31



Fig. 32

FONCTION INVERSE

Pour activer la fonction d'inversion sur ce ventilateur, appuyez sur le bouton « Inversion » pendant que le ventilateur fonctionne. Le réglage de la vitesse par temps chaud ou frais dépend de facteurs tels que la taille de la pièce, la hauteur du plafond, le nombre de ventilateurs, etc.

Fonctionnement par temps chaud : Avant (sens anti-horaire). Un flux d'air descendant crée un effet de refroidissement (Fig. 31). Cela vous permet de régler votre climatiseur sur un réglage plus chaud sans affecter votre confort général.

Fonctionnement par temps frais : Inverser (sens horaire). Un flux d'air ascendant évacue l'air chaud des zones du plafond (Fig. 32). Cela vous permet de régler votre unité de chauffage sur un réglage plus froid sans affecter votre confort général.

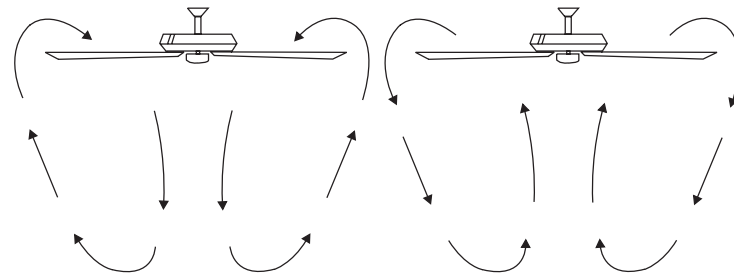


Fig. 33

Fig. 34

Informations FCC

Cet appareil est conforme aux exigences de la section 15 du règlement de la FCC. Fonctionnement assujetti aux deux (2) conditions d'utilisation suivantes :

- 1.) Cet appareil ne doit pas provoquer d'interférences nuisibles, et
- 2.) Cet appareil doit accepter tous les brouillages reçus, y compris ceux pouvant causer un fonctionnement indésirable.

Remarque : Cet équipement a été testé et déclaré conforme aux limites d'un appareil numérique de classe B, conformément à la partie 15 des règles FCC. Ces limites sont conçues pour fournir une protection raisonnable contre les interférences nuisibles dans une installation résidentielle. Cet équipement génère, utilise et peut émettre de l'énergie radiofréquence et, s'il n'est pas installé et utilisé conformément aux instructions, peut provoquer des interférences nuisibles aux communications radio. Cependant, il n'y a aucune garantie que des interférences ne se produiront pas dans une installation particulière. Si cet équipement provoque des interférences nuisibles à la réception de la radio ou de la télévision, ce qui peut être déterminé en éteignant et en rallumant l'équipement, l'utilisateur est encouragé à essayer de corriger les interférences par une ou plusieurs des mesures suivantes :

- Réorientez ou déplacez l'antenne de réception.
- Augmentez l'espace entre l'équipement et le récepteur.
- Branchez l'équipement à une prise sur un circuit différent de celui auquel le récepteur est raccordé.
- Consultez le revendeur ou un technicien radio/TV expérimenté pour obtenir de l'aide.

DÉPANNAGE

Problème	Solution
Le ventilateur ne démarre pas.	<ol style="list-style-type: none">1. Vérifiez les fusibles ou les disjoncteurs.2. Vérifiez tous les raccordements électriques pour assurer un bon contact. <p>ATTENTION : Assurez-vous que l'alimentation principale est coupée lors de la vérification de tout raccordement électrique.</p> <ol style="list-style-type: none">3. Assurez-vous que les piles de l'émetteur sont correctement installées. Côté positif (+) tourné vers l'extérieur.4. Assurez-vous que les piles sont bien chargées.
Le ventilateur fait du bruit.	<ol style="list-style-type: none">1. Assurez-vous que toutes les vis du boîtier du moteur sont bien serrées.2. Assurez-vous que les vis qui fixent les supports des pales du ventilateur au moteur sont bien serrées.3. Assurez-vous que les raccords des écrous métalliques ne frottent pas les uns contre les autres ou contre la paroi intérieure du boîtier de l'interrupteur. <p>ATTENTION : Assurez-vous que l'alimentation principale est coupée.</p> <ol style="list-style-type: none">4. Prévoyez une période de « rodage » de 24 heures. La plupart des bruits associés à un nouveau ventilateur disparaissent pendant ce temps.5. Si vous utilisez un kit d'éclairage en option, assurez-vous que les vis fixant la verrerie sont bien serrées. Assurez-vous que les ampoules ne touchent aucun autre composant.6. Ne connectez pas ce ventilateur à une ou plusieurs commandes de vitesse variable fixées au mur. Ils ne sont pas compatibles avec les moteurs de ventilateurs de plafond ou les télécommandes.7. Assurez-vous que la verrière supérieure est à une courte distance du plafond. Elle ne doit pas toucher le plafond.
Le ventilateur vacille.	<ol style="list-style-type: none">1. Vérifiez que toutes les vis de la pale et du bras de pale sont bien fixées.2. La plupart des problèmes d'oscillation du ventilateur sont causés lorsque les niveaux des pales sont inégaux. Vérifiez ce niveau en sélectionnant un point sur le plafond au-dessus de la pointe de l'une des pales. Mesurez cette distance. Faites tourner le ventilateur jusqu'à ce que la pale suivante soit positionnée pour la mesure. Répétez pour chaque pale. L'écart de distance doit être égal à 1/8".3. Si l'oscillation de la pale est toujours perceptible, interchanger deux pales adjacentes (côte à côte) peut redistribuer le poids et éventuellement entraîner un fonctionnement plus fluide.
Dysfonctionnement de la télécommande.	<ol style="list-style-type: none">1. Les ventilateurs de plafond équipés de systèmes de télécommande NE PEUVENT PAS être utilisés avec un autre système de commande SAUF un interrupteur mural Marche/Arrêt de base si vous le souhaitez.

KICHLER®

www.kichler.com

KICHLER LIGHTING LLC

7711 EAST PLEASANT VALLEY ROAD

CLEVELAND, OHIO 44131

SERVICE À LA CLIENTÈLE 866.558.5706

8 h à 17 h EST, DU LUNDI AU VENDREDI

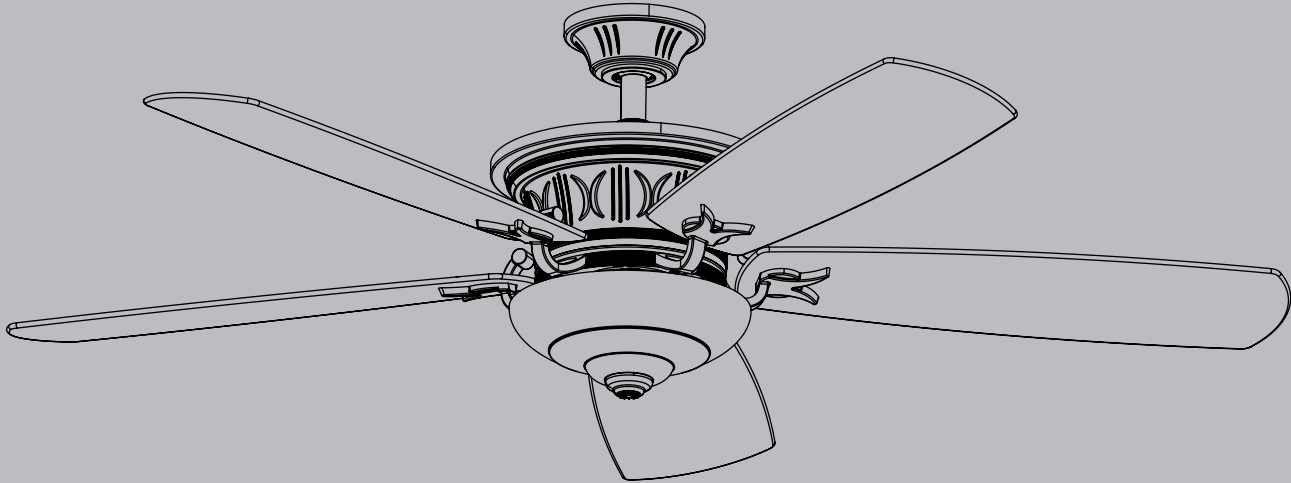
RÉV. 04-MAR-2022

© Kichler Lighting LLC. Tous droits réservés.

KICHLER®

56" Crescent

Las imágenes del producto pueden diferir ligeramente del producto real.



LEER Y GUARDAR ESTAS INSTRUCCIONES

MANUAL DE INSTRUCCIONES
Número de modelo 300325

ÍNDICE

REGLAS DE SEGURIDAD.....	3	INSTALACIÓN DE LA PLACA DE LUZ.....	14
HERRAMIENTAS NECESARIAS.....	5	INSTALACIÓN DEL KIT DE LUZ Y PANTALLA DE VIDRIO ...	15
CONTENIDO DEL PAQUETE.....	5	INSTALACIÓN DE LA PLACA DE PARED DEL SISTEMA DE CONTROL “COOLTOUCH”	16
OPCIONES DE MONTAJE.....	6	INSTALACIÓN Y EXTRACCIÓN DEL TRANSMISOR DE MANO	17
CÓMO COLGAR EL CONJUNTO DEL MOTOR	7	INSTRUCCIONES DE OPERACIÓN.....	17
INSTALACIÓN DE SOPORTE DE SEGURIDAD	10	FUNCIÓN INVERSA.....	19
CONEXIONES ELÉCTRICAS.....	11	INFORMACIÓN DE LA FCC.....	19
COMPLETAR LA INSTALACIÓN DEL MOTOR.....	12	RESOLUCIÓN DE PROBLEMAS.....	20
COLOCACIÓN DE LAS ASPAS DEL VENTILADOR.....	13		

NORMAS DE SEGURIDAD

LEER Y GUARDAR ESTAS INSTRUCCIONES

ADVERTENCIA: PARA CANADÁ, ESTE VENTILADOR DEBE FIJARSE DIRECTAMENTE A LA ESTRUCTURA DEL EDIFICIO/VIGA DEL TECHO. NO ASEGURE ESTE VENTILADOR A UNA CAJA DE DISTRIBUCIÓN.

- 1. PRECAUCIÓN - RIESGO DE CHOQUE -**
Desconecte la energía en el panel del disyuntor principal o en la caja de fusibles principal antes de comenzar y durante la instalación.
- 2. ADVERTENCIA:** Este accesorio está diseñado para su instalación de acuerdo con el Código Eléctrico Nacional (National Electrical Code, NEC) y todas las especificaciones del código local. Si no está familiarizado con los requisitos del código, se recomienda la instalación por parte de un electricista certificado.
- 3. ADVERTENCIA:** Para reducir el riesgo de incendio o descarga eléctrica, use solo el control provisto con el ventilador.
- 4. ADVERTENCIA:** Para reducir el riesgo de incendio, descarga eléctrica o lesiones personales, móntelo en una caja de salida marcada como "Aceptable para soporte de ventilador de 15.9 kg (35 libras) inclusive". Para el montaje de la caja de salida, use los tornillos de montaje (y las arandelas de seguridad) proporcionados con la caja de salida. La mayoría de las cajas de salida comúnmente usadas para sujetar apliques de luz no son aptas para uso con ventiladores y deben reemplazarse. Debido a la complejidad de la instalación de este ventilador, se recomienda enfáticamente la intervención de un electricista certificado y calificado.
- 5. ⚠️ ADVERTENCIA:** Peligro de quemaduras químicas. Mantenga las baterías fuera del alcance de los niños; este producto contiene una batería de botón/moneda de litio. Si se ingiere o entra en el cuerpo una batería de botón o de botón de litio nueva o usada, puede causar quemaduras internas graves y provocar la muerte en tan solo 2 horas. Siempre asegure completamente el compartimiento de la batería. Si el compartimiento de las baterías no cierra bien, deje de utilizar el producto, retire las baterías y manténgalo fuera del alcance de los niños. Si cree que las baterías pueden haber sido ingeridas o introducidas en cualquier parte del cuerpo, busque atención médica de inmediato.
 - a) Las celdas se desecharán adecuadamente, incluso manteniéndolas fuera del alcance de los niños.**
 - b) Incluso las celdas usadas pueden causar lesiones.**
- 6.** Todo el cableado debe instalarse de acuerdo con el Código Eléctrico Nacional 70 del Instituto Nacional Estadounidense de Estándares (American National Standards Institute, ANSI)/Asociación Nacional de Protección contra Incendios (National Fire Protection Association) y los códigos eléctricos locales. La instalación eléctrica debe ser realizada por un electricista calificado.

NORMAS DE SEGURIDAD

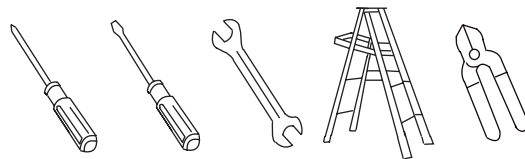
7. La caja de salida y la estructura de soporte deben estar montadas de manera segura y ser capaces de soportar de manera confiable un mínimo de 15.9 kg (35 libras). Use únicamente cajas de salida certificadas por cULus marcadas como “PARA SOPORTE DE VENTILADORES”.
8. **ADVERTENCIA: PARA REDUCIR EL RIESGO DE INCENDIO, DESCARGA ELÉCTRICA O LESIONES PERSONALES, MONTE EL VENTILADOR EN UNA CAJA DE SALIDA MARCADA COMO “ACEPTABLE PARA SOPORTE DE VENTILADOR”.**
9. Evite colocar objetos en el camino de las aspas.
10. Para evitar lesiones personales o daños al ventilador y otros elementos, tenga cuidado cuando trabaje alrededor o limpie el ventilador.
11. Para operar la función de retroceso en este ventilador, presione el botón de retroceso mientras el ventilador está funcionando.
12. Asegúrese de que el sitio de instalación que elija permita un espacio libre mínimo de 2.1 metros (7 pies) desde las aspas hasta el piso y al menos 30 pulgadas desde los extremos de las aspas hasta cualquier obstrucción.
13. **ADVERTENCIA:** asegúrese de que la energía esté desconectada antes de limpiar su ventilador.
14. No use agua ni detergentes para limpiar el ventilador o las aspas del ventilador. Un paño seco para el polvo o un paño ligeramente humedecido será adecuado para la mayor parte de la limpieza.
15. Después de realizar las conexiones eléctricas, los conductores empalmados deben girarse hacia arriba y empujarse con cuidado hacia la caja de distribución. Los cables deben separarse con el conductor puesto a tierra y el conductor de puesta a tierra del equipo en un lado de la caja de salida y el conductor sin puesta a tierra en el otro lado de la caja de salida.
16. Los diagramas eléctricos se proporcionan solo para fines de referencia. Los kits de luces que no estén empaquetados con el ventilador deben cumplir con la marca ETL Listed y marcados como adecuados para usar con el modelo de ventilador que está instalando. Los interruptores deben ser interruptores de uso general ETL. Consulte las instrucciones empaquetadas con los kits de luces e interruptores para un montaje adecuado.
17. Todos los tornillos de fijación deben revisarse y volverse a apretar cuando sea necesario antes de la instalación.
18. La información sobre el peso del ventilador modelo 300325 es la siguiente:
peso neto: 11.53 kg/25.37 libras;
peso bruto: 12.73 kg/28.01 libras.

ADVERTENCIA

PARA REDUCIR EL RIESGO DE LESIONES PERSONALES,
NO DOBLE LOS SOPORTES DE LAS ASPAS DURANTE EL
MONTAJE O DESPUÉS DE LA INSTALACIÓN.
NO INTRODUZCA OBJETOS EN EL CAMINO DE LAS ASPAS.

HERRAMIENTAS Y MATERIALES REQUERIDOS

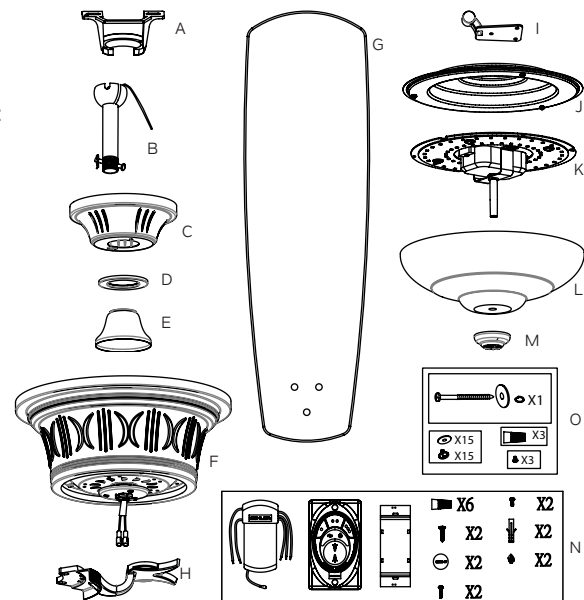
- Destornillador Phillips
- Destornillador plano
- Llave de 11 mm
- Escalera de mano
- Cortadores de alambre



CONTENIDO DEL PAQUETE

Desempaque su ventilador y verifique el contenido. Debería tener los siguientes elementos:

- | | |
|---|--|
| <p>A. Soporte de montaje</p> <p>B. Conjunto de bola/
varilla de extensión</p> <p>C. Dospel</p> <p>D. Cubierta del orificio del dospel</p> <p>E. Cubierta de acoplamiento</p> <p>F. Conjunto del motor</p> <p>G. Aspa del ventilador (5)</p> <p>H. Soporte de aspa (5)</p> <p>I. Cubierta del aspa (2)</p> <p>J. Placa de luz</p> <p>K. Kit de luz</p> <p>L. Pantalla de vidrio</p> <p>M. Pináculo</p> | <p>N. Kit de control de pared:</p> <p>Receptor (1), Control (1), Placa de metal (1),
Conector de cable (6), Tornillo para
madera (2), Batería (2), Tornillo largo (2),
Tornillo corto (2), Anclaje de expansión (2),
Tuerca de plástico (2)</p> <p>O. Accesorios del paquete</p> <p>1.) Accesorios de montaje:
Conector de cable (3)</p> <p>2.) Accesorios de fijación del aspa:
Tornillos (15), Arandelas (15)</p> <p>3.) Accesorios del cable de seguridad:
Tornillo para madera (1), Arandela de
resorte (1), Arandela plana (1)</p> <p>4.) Accesorios del kit de luz: Tornillo (3)</p> |
|---|--|



OPCIONES DE MONTAJE

Si no existe una caja de montaje con certificación UL (cUL para la instalación canadiense), lea las siguientes instrucciones. Desconecte la energía quitando los fusibles o apagando los disyuntores.

Fije la caja de distribución directamente a la estructura del edificio. Utilice sujetadores y materiales de construcción adecuados. La caja de salida y su soporte deben poder soportar completamente el peso total del ventilador (hasta 15.9 kg [35 libras]). No utilice cajas de salida de plástico.

Las figuras 1, 2 y 3 son ejemplos de diferentes formas de montar la caja de salida.

NOTA: Si está instalando el ventilador de techo en un techo inclinado (abovedado), es posible que necesite una varilla de extensión más larga para mantener el espacio adecuado entre la punta del aspa y el techo. Se sugiere un espacio libre mínimo de 12" para un funcionamiento óptimo.

NOTA: Debe usar una varilla de extensión de 12" o más para una pendiente de 22° (ángulo máximo de 22°). (Figura 3)

NOTA: Dependiendo de la ubicación que haya seleccionado para la instalación, es posible que deba comprar e instalar un colgador de viguetas para el soporte de la caja de salida. Asegúrese de que el colgador de viguetas que compre haya sido diseñado para usarse con ventiladores de techo. (Figura 4)

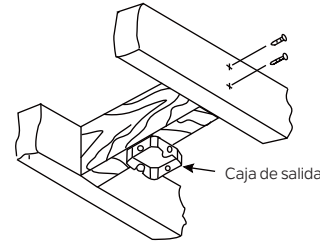


Figura 1

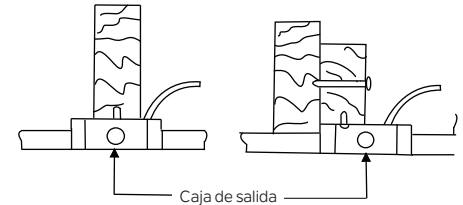


Figura 2

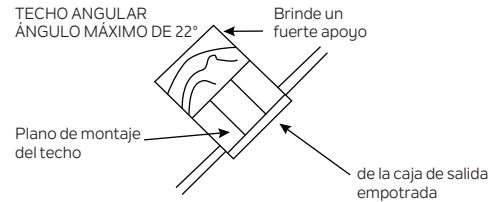
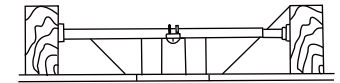


Figura 3



Caja de salida

Figura 4

CÓMO COLGAR EL CONJUNTO DEL MOTOR

RECUERDE desconectar la alimentación antes de comenzar la instalación. Esto es necesario para su seguridad y también para la programación adecuada del sistema de control.

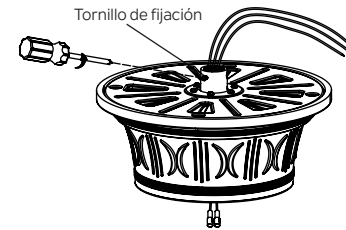
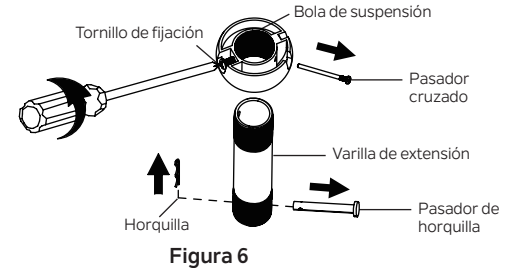
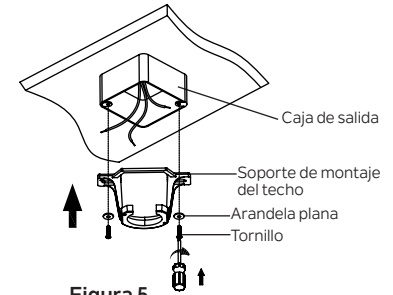
Para instalar correctamente su ventilador de techo, siga los pasos a continuación.

Paso 1. Antes de conectar el ventilador a la caja de salida (no incluida), asegúrese de que la caja de salida esté bien sujeta a al menos dos puntos de un miembro estructural del techo (una caja suelta hará que el ventilador oscile). Pase los cables de suministro de 120 voltios desde la caja de salida del techo a través del centro del soporte de montaje del techo. Instale el soporte de montaje en la caja de salida en el techo usando los tornillos y las arandelas incluidos con la caja de salida. (Figura 5)

Paso 2. Retire la horquilla y el pasador de horquilla del conjunto de la varilla de extensión, guárdelos para usarlos posteriormente. Retire la bola de suspensión del conjunto de la varilla de extensión aflojando el tornillo de fijación, quitando el pasador transversal y deslizando la bola fuera de la varilla. (Figura 6)

NOTA: Asegúrese de mantener los accesorios sueltos separados para evitar confusiones durante la instalación.

Paso 3. Afloje los dos tornillos de fijación en el acoplamiento del motor. (Figura 7)



CÓMO COLGAR EL CONJUNTO DEL MOTOR (continuación)

Paso 4. Pase con cuidado los cables del ventilador y el cable de seguridad hacia arriba a través de la varilla de extensión. Enrosque la varilla de extensión en el acoplamiento del motor hasta que los orificios del pasador de horquilla estén alineados. A continuación, vuelva a colocar el pasador de horquilla y la horquilla, luego apriete ambos tornillos de fijación. (Figura 8)

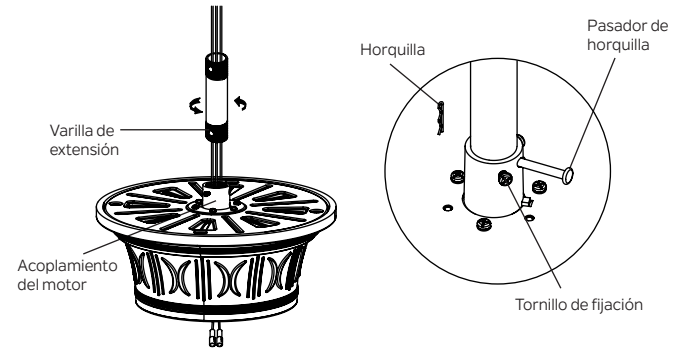


Figura 8

Paso 5. Deslice la cubierta del acoplamiento, la cubierta del orificio del dosel y el dosel sobre la varilla de extensión. Vuelva a instalar con cuidado la bola de suspensión en la varilla. Asegúrese de que el pasador transversal esté en la posición correcta y que el tornillo de fijación esté apretado y que los cables no estén torcidos. (Figura 9)

PRECAUCIÓN: Asegúrese de que todos los tornillos estén apretados antes de pasar al siguiente paso.

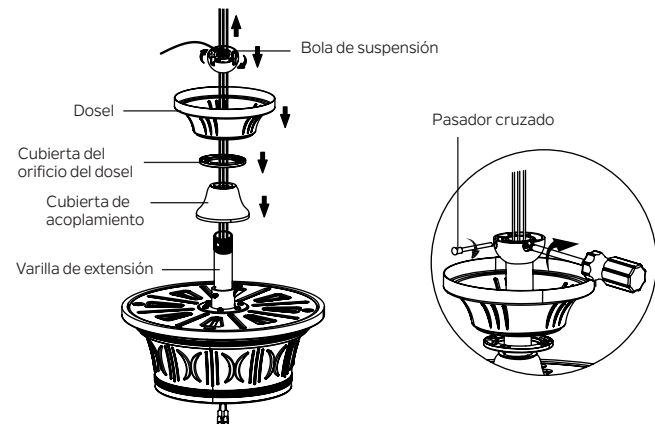


Figura 9

CÓMO COLGAR EL CONJUNTO DEL MOTOR (continuación)

Paso 6. Ahora levante el conjunto del motor a su posición y coloque la bola de suspensión en el soporte de montaje. Gire hasta que la lengüeta de retención haya caído en la ranura de registro y se asiente firmemente. (Figura 10) Todo el cuerpo del motor no debe girar si se hace correctamente.

ADVERTENCIA: El no asentar correctamente la lengüeta de retención puede dañar el ventilador de techo durante el funcionamiento.

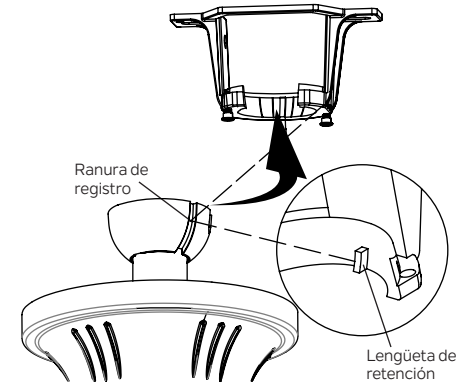


Figura 10

INSTALACIÓN DEL SOPORTE DE SEGURIDAD (requerido para la instalación canadiense SOLAMENTE)

Se proporciona un cable de soporte de seguridad para ayudar a evitar que el ventilador de techo se caiga; instálelo de la siguiente manera.

Paso 1. Inserte un tornillo para madera y arandelas en el costado de la abrazadera que sostiene la caja de salida. Deje 3 mm (1/8") de espacio entre el soporte de apoyo y la arandela. (Figura 11)

Paso 2. Inserte el cable de seguridad a través del soporte de montaje y uno de los orificios de la caja de salida en el techo. Ajuste la longitud del cable de seguridad para alcanzar el tornillo y las arandelas tirando del cable adicional a través de la abrazadera del cable hasta que la longitud total sea la correcta, vuelva a colocar el extremo del cable a través de la abrazadera del cable, formando un bucle en el extremo del cable. Apriete firmemente la abrazadera del cable. Ahora, coloque el lazo en el extremo del cable de seguridad sobre el tornillo para madera y debajo de la arandela. Apriete firmemente el tornillo para madera. (Figura 12)

NOTA: Aunque el cable de soporte de seguridad se requiere solo para instalaciones canadienses, se recomienda hacer esta conexión con cualquier instalación.

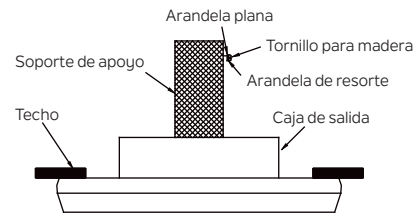


Figura 11

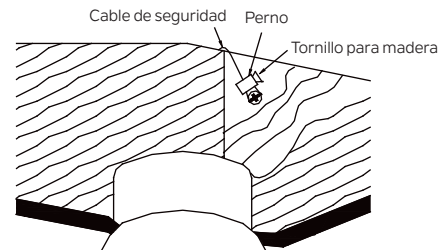


Figura 12

CONEXIONES ELÉCTRICAS

ADVERTENCIA: Para evitar posibles descargas eléctricas, asegúrese de haber desconectado la energía en el panel del circuito principal antes de realizar el cableado.

Siga los pasos a continuación para conectar el ventilador al cableado de su hogar. Utilice los conectores de cable suministrados con su ventilador. Sujete los conectores con cinta aislante. Asegúrese de que no haya conexiones o filamentos de cables sueltos.

ADVERTENCIA: Si los cables de su casa son de colores diferentes a los que se mencionan en este manual, deténgase inmediatamente. Se recomienda un electricista profesional para determinar el cableado adecuado.

Paso 1. Inserte el receptor en el soporte de montaje y manténgalo plano en oposición al techo. (Figura 13)

Paso 2. Conexiones eléctricas del motor al receptor: Conecte el cable NEGRO del ventilador al cable NEGRO marcado "AL MOTOR L" del receptor. Conecte el cable BLANCO del ventilador al cable BLANCO marcado "AL MOTOR N" del receptor. Conecte el cable AZUL del ventilador al cable AZUL marcado "PARA LA LUZ" del receptor. Fije todas las conexiones de cables con los conectores de cable de plástico provistos. (Figura 14)

Paso 3. Conexiones eléctricas del receptor remoto a la caja de salida: Conecte el cable NEGRO (vivo) del techo al cable NEGRO marcado "CA DE ENTRADA L" del receptor. Conecte el cable BLANCO (neutro) del techo al cable BLANCO marcado "CA DE ENTRADA N" del receptor. Fije todas las conexiones de cables con los conectores de cable de plástico provistos. (Figura 14)

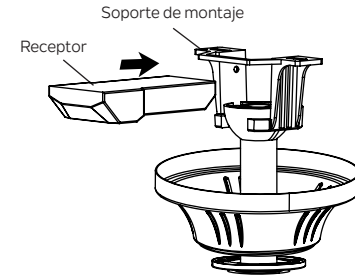


Figura 13

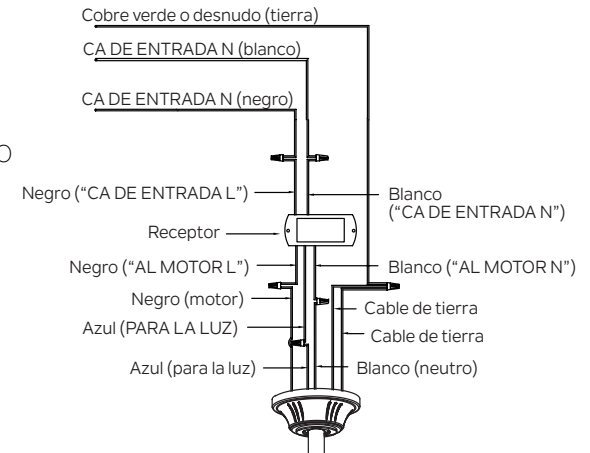


Figura 14

CONEXIONES ELÉCTRICAS

Paso 4. Si su caja de salida tiene un cable de tierra (de cobre verde o desnudo) conéctelo a los cables de tierra del ventilador. De lo contrario, conecte el cable de tierra del ventilador al soporte de montaje. Fije la conexión del cable con una tuerca de plástico proporcionada. Después de conectar los cables, sepárelos de modo que los cables verde y blanco estén en un lado de la caja de salida y los cables negro y azul en el otro lado. (Figura 14)

NOTA: Introduzca con cuidado las conexiones de cables en la caja de salida.

NOTA: El ventilador debe instalarse a una distancia máxima de 30 pies de la unidad de transmisión para una transmisión de señal adecuada entre la unidad de transmisión y la unidad de recepción del ventilador.

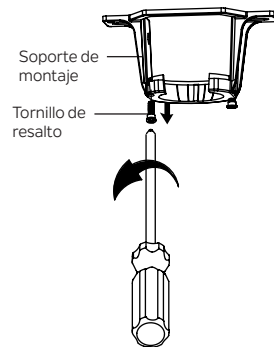


Figura 15

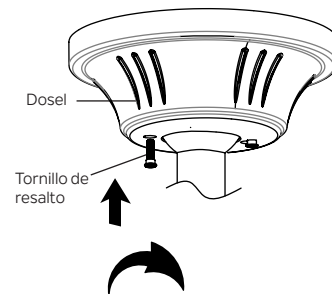


Figura 16

CÓMO COMPLETAR LA INSTALACIÓN DEL MOTOR

Paso 1. Quite uno de los dos tornillos de resalto en el soporte de montaje. Afloje el segundo tornillo de resalto sin quitarlo por completo. (Figura 15)

Paso 2. Ensamble el dosel girando la ranura de llave en el dosel sobre el tornillo de resalto en el soporte de montaje. Vuelva a instalar el tornillo de resalto que se quitó anteriormente, luego vuelva a apretar dos tornillos de resalto firmemente. (Figura 16)

Paso 3. Fije y apriete firmemente la cubierta del orificio del dosel sobre los tornillos de resalto en el soporte de montaje utilizando la función de bloqueo por giro de la ranura de llave. (Figura 17)

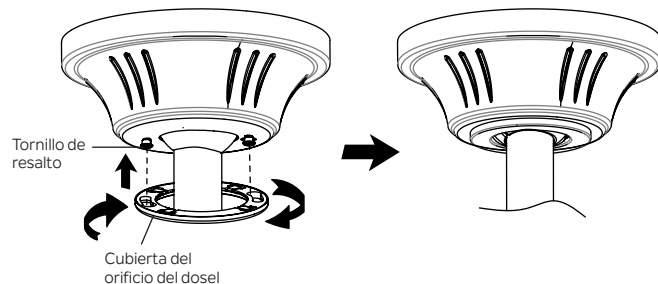


Figura 17

COLOCACIÓN DE LAS ASPAS DEL VENTILADOR

PRECAUCIÓN: Para reducir el riesgo de descarga eléctrica, desconecte el circuito de suministro eléctrico al ventilador antes de instalar las aspas.

Paso 1. Coloque el aspa sobre el soporte con el poste roscado hacia afuera. Asegúrese de que el borde inferior del aspa esté completamente asentado contra el soporte. Coloque la cubierta del aspa en la parte superior del aspa, y ubique los orificios sobre los postes roscados. Apriete con tres tornillos del paquete de accesorios para asegurar el aspa al soporte. (Figura 18)

Repita para las aspas restantes.

Paso 2. Fije el conjunto de aspas a los orificios ubicados en la parte inferior del volante. Apriete los dos tornillos del motor preinstalados en el soporte del aspa. Repita los pasos para los conjuntos del aspa restantes. (Figura 19)

INSTALACIÓN DE LA PLACA DE LUZ

Paso 1. Retire el tornillo marcado con una etiqueta de punto marrón en la placa de montaje y guárdelo para su uso posterior. Afloje los otros dos (no los quite). (Figura 20)

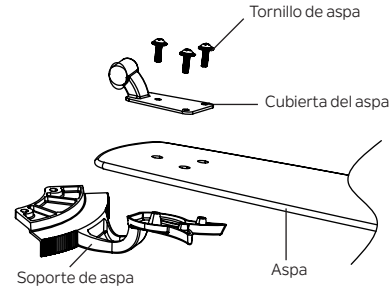


Figura 18

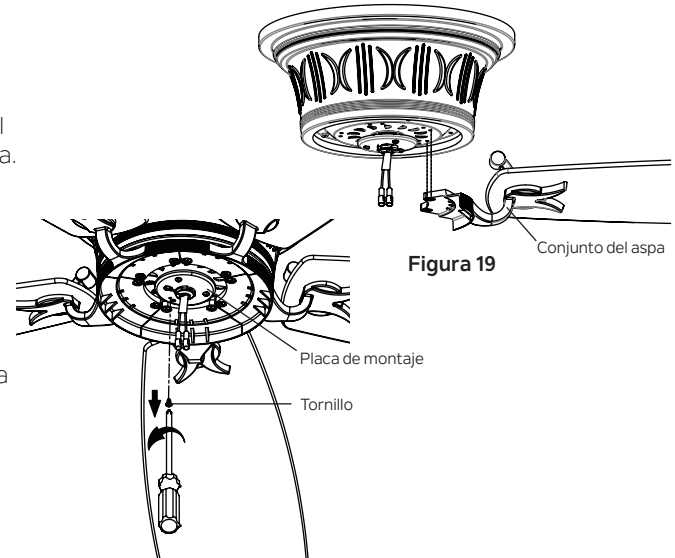


Figura 20

INSTALACIÓN DE LA PLACA DE LUZ

Paso 2. Coloque los dos orificios de la ranura en la placa de luz sobre los dos tornillos que aflojó previamente de la placa de montaje. Gire la placa de luz hasta que encaje en su lugar en el extremo estrecho de los orificios de llave. Fije apretando los 2 tornillos previamente aflojados y el que quitó previamente. (Figura 21)

INSTALACIÓN DEL KIT DE LUZ Y LA PANTALLA DE VIDRIO

PRECAUCIÓN: Para reducir el riesgo de descarga eléctrica, desconecte el circuito de suministro eléctrico al ventilador antes de instalar el kit de luz.

Paso 1. Sostenga el kit de luz LED en la placa de luz, luego conecte los dos conectores de una clavija del kit de luz a los dos conectores de una clavija del conjunto del motor. Conecte el cable negro con el cable negro y el cable blanco con el cable blanco. Fije el kit de luz a la placa de luz y apriételo firmemente con tres (3) tornillos del paquete de tornillos (Figura 22)

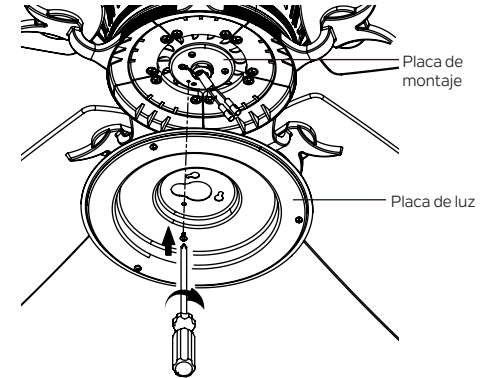


Figura 21

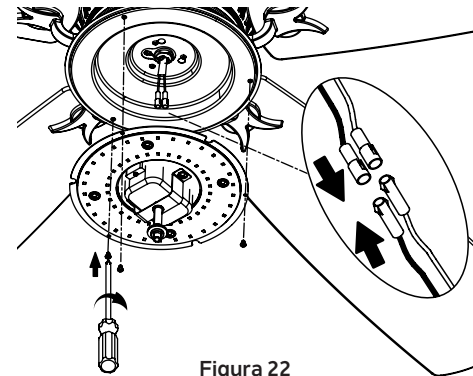


Figura 22

INSTALACIÓN DEL KIT DE LUZ Y LA PANTALLA DE VIDRIO

Paso 2. Quite y guarde la tuerca manual, la arandela de metal y la arandela de silicona de la varilla roscada en el kit de luces. (Figura 23)

Paso 3. Levante la pantalla de vidrio hasta el kit de luces, lo que permite que la varilla roscada pase por el orificio central en la parte inferior de la pantalla de vidrio. Coloque la arandela de silicona y la arandela de metal sobre la varilla roscada, luego atornille la tuerca manual en la varilla roscada hasta que quede apretada. NO AJUSTE EN EXCESO. (Figura 24)

Paso 4. Atornille el remate a la varilla roscada y apriete firmemente. (Figura 25)

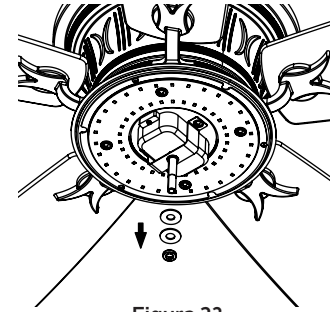
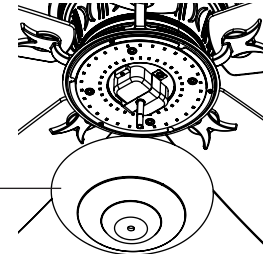


Figura 23



Recipiente de vidrio

- Arandela de silicona
- Arandela de metal
- Tuerca manual

Figura 24

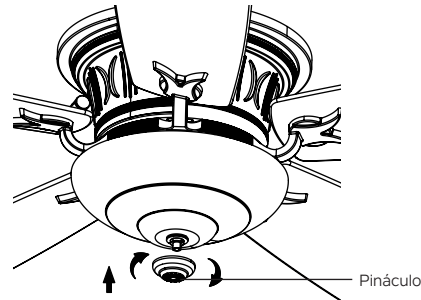


Figura 25

Pináculo

INSTALACIÓN DEL SISTEMA DE CONTROL COOLTOUCH™ CON LA PLACA DE PARED

PRECAUCIÓN: ASEGÚRESE DE QUE LA ELECTRICIDAD ESTÉ APAGADA EN LA CAJA DE CONEXIONES PRINCIPAL O QUE SE HAYA APAGADO EL FUSIBLE CORRECTO EN LA CAJA DE CONEXIONES PRINCIPAL ANTES DE CONTINUAR.

ADVERTENCIA: Todo el cableado debe instalarse de acuerdo con el Código Eléctrico Nacional y los códigos eléctricos locales. La instalación eléctrica debe ser realizada por un electricista calificado.

Seleccione una ubicación para instalar el transmisor del sistema de control “CoolTouch”. Puede reemplazar un interruptor de pared existente o instalar el transmisor en CUALQUIER superficie plana.

ADVERTENCIA: LA INSTALACIÓN DEL INTERRUPTOR DEBE CUMPLIR CON TODOS LOS CÓDIGOS ELÉCTRICOS LOCALES Y NACIONALES.

Opción 1. Instale el sistema de control utilizando una caja de salida con interruptor de pared existente. **Asegúrese de que la energía eléctrica esté APAGADA en el panel principal antes de realizar el cableado.**

Paso 1. Retire la placa de pared existente y el interruptor antiguo de la caja de salida de pared. Cablee los cables NEGROS (vivos) junto con el conector e introdúzcalos nuevamente dentro de la caja de salida. (Figura 24)

Paso 2. Instale la placa de metal y la placa de pared “CoolTouch” en la caja de salida existente en la pared con los 4 tornillos provistos. Luego coloque los dos tapones de plástico en la placa de pared. (Figura 25)

Opción 2: Instale el sistema de control en CUALQUIER superficie plana: Seleccione la ubicación deseada y use la placa de pared “CoolTouch” para marcar los orificios de montaje. Se proporcionan anclajes de pared de plástico y tornillos para este tipo de instalación. Después de instalar los anclajes de pared, fije la placa de pared “CoolTouch” con los tornillos de montaje y luego inserte los tapones de plástico para finalizar la instalación.

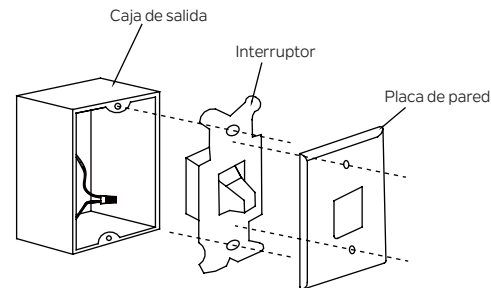


Figura 26

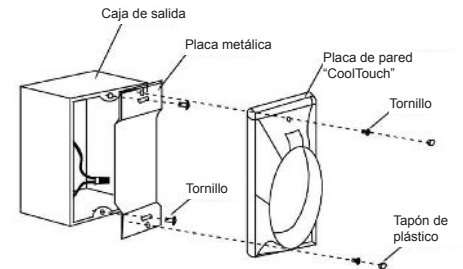


Figura 27

INSTALACIÓN Y EXTRACCIÓN DEL TRANSMISOR DE MANO

Paso 1. Para colocar el transmisor en la placa de pared, coloque primero el extremo inferior y luego presione la parte superior en la placa de pared. El transmisor ahora está sujeto a la placa de pared y funcionará desde aquí. (Figura 26)

Paso 2. Para quitar el transmisor de la placa de pared, presione el botón de liberación y el transmisor le caerá en la mano.

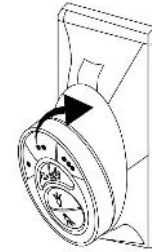


Figura 28

INSTRUCCIONES DE FUNCIONAMIENTO

⚠ ADVERTENCIA: Peligro de quemaduras químicas. Mantenga las baterías fuera del alcance de los niños.

Paso 1. Con un destornillador, quite la tapa de la batería del control remoto y guarde el tornillo para usarlo más adelante. (Figura 27)

Paso 2. Para que el ventilador funcione, instale dos baterías CR2032 de 3 V (incluidas). Las baterías deben instalarse con el lado positivo (+) hacia arriba. Reemplácelas con baterías CR2032 cuando sea necesario. (Figura 28)

NOTA: Si no se usa durante períodos prolongados, retire las baterías para evitar daños en el control remoto. Guarde el control lejos del calor o la humedad excesivos.

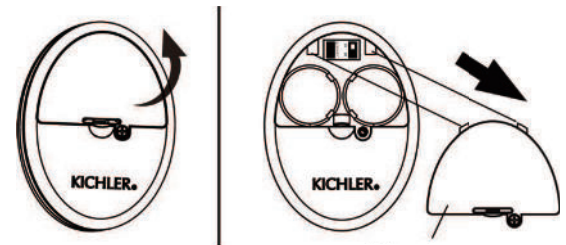


Figura 29

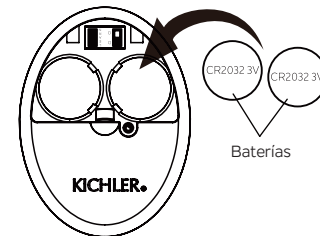


Figura 30

INSTRUCCIONES DE FUNCIONAMIENTO

NOTA: Cada control remoto lleva un código de identificación único para facilitar la comunicación entre dispositivos emparejados. El código de identificación viene configurado de fábrica y el usuario no puede cambiarlo. Sin embargo, se le pedirá que realice un proceso de aprendizaje del código de identificación manualmente en estas circunstancias:

- Si tiene varios ventiladores instalados cerca y desea controlar todos los ventiladores con el mismo control remoto.

NOTA: Cada ventilador requiere su propio receptor.

- Cuando su control remoto no responde (asegúrese de que la batería no esté descargada).
- Después de haber reemplazado un transmisor o receptor defectuoso con uno nuevo.

De lo contrario, el control remoto no funcionará. Para realizar este proceso manualmente, siga los pasos a continuación: Después de instalar y cablear la unidad, restaure la energía a su ventilador, presione y mantenga presionada la tecla LEARN (Aprender) durante 1 y 3 segundos, el ventilador se encenderá a velocidad media y la luz (si está instalada) se encenderá. Esto confirma que se ha completado el proceso de aprendizaje. Esta operación debe completarse dentro de los 30 segundos después de restaurar la energía al ventilador. (Figura 29)

NOTA: Asegúrese de que el interruptor deslizante en el compartimiento de la batería marcado "D O" esté en la posición "D". (Figura 29)

Paso 4. Vuelva a colocar la cubierta de la batería y apriete con un destornillador. (Figura 29)

Paso 5. Los botones controlan la velocidad y la luz del ventilador de la siguiente manera: (Figura 30)

•	Baja velocidad
••	Velocidad media
•••	Alta velocidad
⏻	Ventilador apagado
↻	Flujo de aire (hacia adelante o hacia atrás)
💡	Sin función (no utilice este botón)
💡	a.) Luz ENCENDIDA/APAGADA. b.) Mantenga presionado para atenuar o intensificar la luz al nivel deseado.

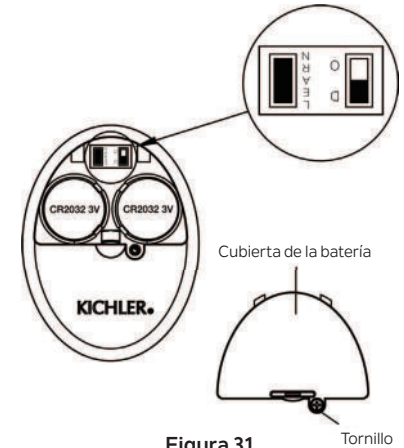


Figura 31



Figura 32

FUNCIÓN DE RETROCESO

Para operar la función de retroceso en este ventilador, presione el botón "Retroceso" mientras el ventilador está funcionando. El ajuste de velocidad para climas cálidos o fríos depende de factores como el tamaño de la habitación, la altura del techo, la cantidad de ventiladores, etc.

Operación en clima cálido: Avance (en sentido contrario a las agujas del reloj). Un flujo de aire descendente crea un efecto de enfriamiento (Figura 31). Esto le permite configurar su aire acondicionado en una temperatura más cálida sin afectar su comodidad general.

Operación en clima frío: Retroceso (en sentido de las agujas del reloj). Un flujo de aire ascendente remueve el aire caliente del techo (Figura 32). Esto le permite configurar su unidad de calefacción en una configuración más fría sin afectar su comodidad general.

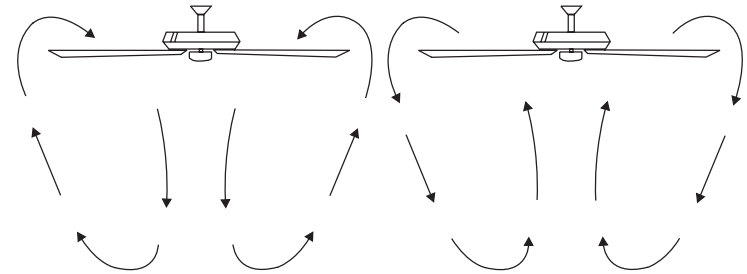


Figura 33

Figura 34

INFORMACIÓN DE LA FCC

Este dispositivo cumple con la parte 15 de las normas de la Comisión Federal de Comunicaciones (Federal Communications Commission, FCC). El funcionamiento está sujeto a las siguientes dos condiciones:

- 1.) Este dispositivo no puede causar interferencias perjudiciales, y
- 2.) Este dispositivo debe aceptar cualquier interferencia recibida, incluidas interferencias que puedan causar un funcionamiento no deseado.

Nota: Este equipo ha sido probado y cumple con los límites para un dispositivo digital de Clase B, de acuerdo con la parte 15 de las normas de la FCC. Estos límites están diseñados para proporcionar una protección razonable contra interferencias perjudiciales en una instalación residencial. Este equipo genera, usa y puede irradiar energía de radiofrecuencia y, si no se instala y usa de acuerdo con las instrucciones, puede causar interferencia dañina a las comunicaciones por radio. Sin embargo, no hay garantía de que no se produzcan interferencias en una instalación en particular. Si este equipo causa interferencia dañina en la recepción de radio o televisión, lo cual se puede determinar encendiendo y apagando el equipo, se recomienda al usuario que intente corregir la interferencia mediante una o más de las siguientes medidas:

- Reorientar o reubicar la antena receptora.
- Aumentar la separación entre el equipo y el receptor.
- Conectar el equipo a una toma de corriente en un circuito diferente al que está conectado el receptor.
- Consulte con el distribuidor o con un técnico de radio/TV experimentado para obtener ayuda.

RESOLUCIÓN DE PROBLEMAS

Problema	Solución
El ventilador no arranca.	<ol style="list-style-type: none">1. Verifique los fusibles o disyuntores del circuito.2. Verifique todas las conexiones eléctricas para asegurar un contacto adecuado. <p>PRECAUCIÓN: Asegúrese de que la alimentación principal esté APAGADA cuando verifique cualquier conexión eléctrica.</p> <ol style="list-style-type: none">3. Asegúrese de que las baterías del transmisor estén instaladas correctamente. Con el lado positivo (+) hacia afuera.4. Asegúrese de que las baterías tengan una buena carga.
El ventilador suena ruidoso.	<ol style="list-style-type: none">1. Asegúrese de que todos los tornillos de la carcasa del motor estén ajustados.2. Asegúrese de que los tornillos que sujetan los soportes de las aspas del ventilador al motor estén apretados.3. Asegúrese de que las conexiones de tuercas para cables no se froten entre sí o con la pared interior de la caja del interruptor. <p>PRECAUCIÓN: Asegúrese de que la energía principal esté apagada.</p> <ol style="list-style-type: none">4. Permita un período de "rodaje" de 24 horas. La mayor parte del ruido asociado con un ventilador nuevo desaparece durante este tiempo.5. Si usa un kit de luz opcional, asegúrese de que los tornillos que sujetan la cristalería estén bien apretados. Asegúrese de que las bombillas no toquen ningún otro componente.6. No conecte este ventilador a un control de velocidad variable montado en la pared. No son compatibles con motores de ventiladores de techo o controles remotos.7. Asegúrese de que el dosel superior esté a poca distancia del techo. No debe tocar el techo.
Oscilación del ventilador.	<ol style="list-style-type: none">1. Verifique que todos los tornillos de aspa y del brazo de aspa estén firmes.2. La mayoría de los problemas de oscilación del ventilador se deben a que los niveles de las aspas no son iguales. Compruebe este nivel seleccionando un punto en el techo por encima de la punta de una de las aspas. Mida esta distancia. Gire el ventilador hasta que se coloque la siguiente aspa para medir. Repita para cada aspa. La desviación de la distancia debe ser igual dentro de 1/8".3. Si aún se nota la oscilación del aspa, intercambiar dos aspas adyacentes (una al lado de la otra) puede redistribuir el peso y posiblemente dar como resultado un funcionamiento más fluido.
Mal funcionamiento del control remoto.	<ol style="list-style-type: none">1. Los ventiladores de techo con sistemas de control remoto NO PUEDEN funcionar junto con ningún otro sistema de control, EXCEPTO un interruptor de pared de encendido/apagado básico si se desea.

KICHLER®

www.kichler.com

KICHLER LIGHTING LLC
7711 EAST PLEASANT VALLEY ROAD
CLEVELAND, OHIO 44131

SERVICIO AL CLIENTE 866.558.5706
8:00 AM A 5:00 PM EST, DE LUNES A VIERNES

REV. 04-MAR-2022

© Kichler Lighting LLC. Todos los derechos reservados.