

KICHLER®

42", 52" and 60" Lucian II

Product images may vary slightly from actual product.



INSTRUCTION MANUAL
Model#: 330241, 330242, 330243

READ AND SAVE THESE INSTRUCTIONS

REV. 28-JULY-2022

TABLE OF CONTENTS

SAFETY RULES.....	3	FINISHING THE INSTALLATION.....	11
TOOLS REQUIRED.....	4	ATTACHING THE FAN BLADES.....	12
PACKAGE CONTENTS.....	4	INSTALLING THE MOUNTING PLATE.....	12
MOUNTING OPTIONS.....	5	INSTALLING THE SWITCH HOUSING.....	13
HANGING THE FAN.....	6	OPERATING INSTRUCTIONS.....	14
INSTALLATION OF SAFETY SUPPORT.....	9	TROUBLESHOOTING.....	15
ELECTRICAL CONNECTIONS.....	10		

SAFETY RULES

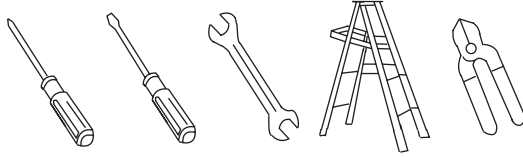
1. CAUTION – RISK OF SHOCK – Disconnect Power at the main circuit breaker panel or main fusebox before starting and during the installation.
2. WARNING: All wiring must be in accordance with the National Electrical Code “ANSI/NFPA 70” and local electrical codes. Electrical installation should be performed by a qualified licensed electrician.
3. WARNING: Not suitable for use with solid-state speed controls.
4. WARNING: To reduce the risk of fire, electric shock, or personal injury, mount to outlet box marked “acceptable for fan support of 15.9 kg (35 lbs.) or less” and use mounting screws provided with the outlet box. Most outlet boxes commonly used for the support of light fixtures are not acceptable for fan support and may need to be replaced. Due to the complexity of the installation of this fan, a qualified licensed electrician is strongly recommended.
5. The outlet box and support structure must be securely mounted and capable of reliably supporting a minimum of 15.9 kg (35 pounds). Use only cULus Listed outlet boxes marked “Acceptable for Fan Support of 15.9 kg (35 lbs) or less”.
6. The fan must be mounted with a minimum of 2.1 m (7 feet) clearance from the trailing edge of the blades to the floor.
7. WARNING: Do not operate reversing switch while fan blades are in motion. Fan must be turned off and blades stopped before reversing blade direction.
8. Avoid placing objects in the path of the blades.
9. WARNING: make sure the power is disconnected before cleaning your fan.
10. To avoid personal injury or damage to the fan and other items, be cautious when working around or cleaning the fan.
11. Do not use water or detergents when cleaning the fan or fan blades. A dry dust cloth or lightly dampened cloth will be suitable for most cleaning.
12. After making electrical connections, spliced conductors should be turned upward and pushed carefully up into outlet box. The wires should be spread apart with the grounded conductor and the equipment-grounding conductor on one side of the outlet box and the ungrounded conductor on the other side of the outlet box.
13. Electrical diagrams are reference only. Light kits that are not packed with the fan must be cULus Listed and marked suitable for use with the model fan you are installing. Switches must be cULus General Use Switches. Refer to the Instructions packaged with the light kits and switches for proper assembly.
14. All set screws must be checked, and retightened where necessary, before installation.

WARNING: TO REDUCE THE RISK OF PERSONAL INJURY, DO NOT BEND THE BLADE BRACKETS (ALSO REFERRED TO AS FLANGES) DURING ASSEMBLY OR AFTER INSTALLATION. DO NOT INSERT OBJECTS IN THE PATH OF THE BLADES.

N.W. 10 KGS (22 LBS) / G.W. 11 KGS (24.2 LBS) (42 in.)
N.W. 11.5 KGS (25.3 LBS) / G.W. 12.5 KGS (28 LBS) (52 in.)
N.W. 13 KGS (28.6 LBS) / G.W. 14 KGS (31 LBS) (60 in.)

TOOLS REQUIRED

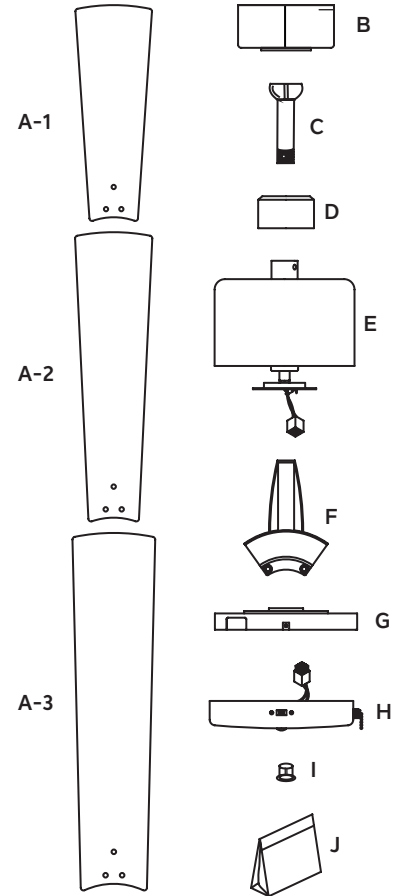
- Phillips Screwdriver
- Blade Screwdriver
- 11 mm Wrench
- Step Ladder
- Wire Cutters



PACKAGE CONTENTS

Unpack your fan and check the contents. You should have the following items:

- | | |
|---|--|
| A-1. Fan Blades (5) (42 in.) | H. Switch Housing |
| A-2. Fan Blades (5) (52 in.) | I. Plastic Plug |
| A-3. Fan Blades (5) (60 in.) | J. Part Bag Contents |
| B. Canopy & Ceiling
Mounting Bracket | 1) Mounting Hardware:
Wire Nuts (3) |
| C. Ball/Downrod Assembly | 2) Blade Attachment Hardware:
Screws (15), Fiber Washers (15) |
| D. Coupling Cover | 3) Safety Cable Mounting Hardware:
Wood Screws, Lock Washer, Washer |
| E. Fan Motor Assembly | 4) Pull Chains and Fobs |
| F. Set of 5 Blade Brackets | |
| G. Mounting Plate | |



MOUNTING OPTIONS

If there isn't an existing UL (cUL for Canadian Installation) listed mounting box, then read the following instructions. Disconnect the power by removing fuses or turning off circuit breakers.

Secure the outlet box directly to the building structure. Use appropriate fasteners and building materials. The outlet box and its support must be able to fully support the full weight of the fan (up to 15.9 kg (35 pounds)). Do not use plastic outlet boxes.

Figures 1, 2 and 3 are examples of different ways to mount the outlet box.

NOTE: If you are installing the ceiling fan on a sloped (vaulted) ceiling, you may need a longer downrod to maintain proper clearance between the tip of the blade and the ceiling. A minimum clearance of 12" is suggested for optimal operation.

NOTE: Depending on the location you have selected for installation, you may need to purchase and install a "Joist Hanger" for the support of the outlet box. Make sure the joist hanger you purchase has been designed for use with ceiling fans. (Fig. 4)

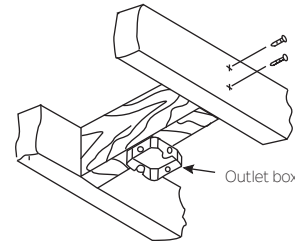


Fig. 1

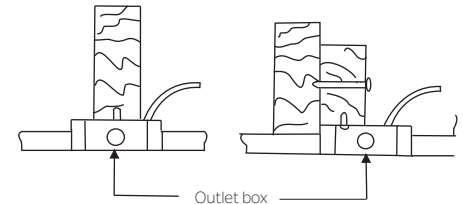


Fig. 2

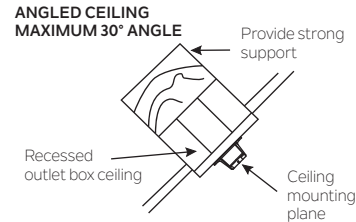


Fig. 3

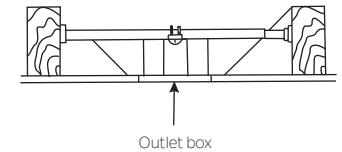


Fig. 4

HANGING THE FAN

WARNING: All set screws must be checked, and retightened where necessary, before installation.

REMEMBER to turn off the power before you begin.

To properly install your ceiling fan, follow the steps below.

Step 1. Remove the decorative canopy bottom cover from the canopy by turning the cover counter clockwise. (Fig. 5)

Step 2. Remove the ceiling mounting bracket from the canopy by removing (and save one of the two screws. Loosen the remaining screw by a half turn. (Fig. 5)

Step 3. Pass the 120 volt supply wires from the ceiling outlet box through the center of the ceiling mounting bracket. (Fig. 6)

Step 4. Attach the ceiling mounting bracket to the outlet box using the screws and washers included with the outlet box. (Fig.6)

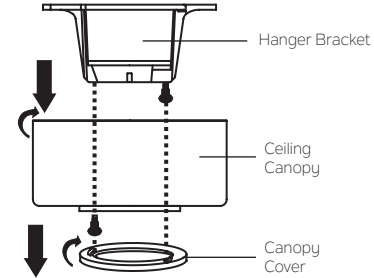


Fig. 5

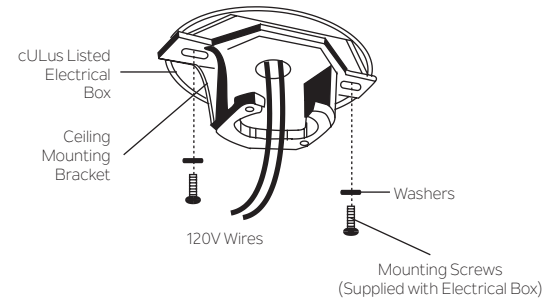


Fig. 6

HANGING THE FAN (continued)

WARNING: All set screws must be checked, and retightened where necessary, before installation.

Step 5. Remove the hanger ball from the downrod assembly by loosening the set screw, unscrewing and removing the cross pin and unscrewing the ball off the rod. (Fig. 7)

Step 6. Loosen the two set screws and remove the hitch pin and retaining clip from the coupling on top of the motor assembly. (Fig. 8)

Step 7. Carefully feed the electrical lead wires and safety cable from the fan up through the downrod. Thread the downrod into the coupling until the Hitch pin holes are aligned.

Next, replace the hitch pin and retaining clip. Tighten both set screws. (Fig. 8)

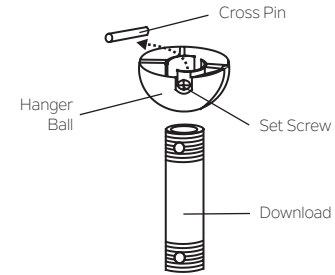


Fig. 7

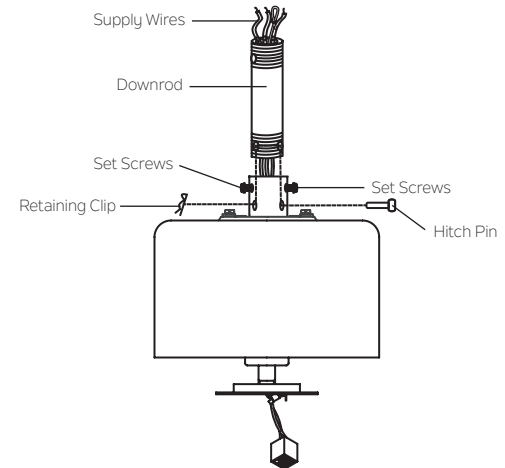


Fig. 8

HANGING THE FAN (continued)

Step 8. Slip the coupling cover , canopy cover and canopy onto the downrod. (Fig. 9)

Thread the hanger ball onto the downrod, insert the cross pin through the downrod and tighten. Now tighten the set screw. (Fig. 9)

Step 9. Lift the motor assembly into position and place the hanger ball into the ceiling mounting bracket.

Rotate the entire assembly until the “Check Tab” has dropped into the “Registration Slot” and seats firmly. (Fig. 10)

The entire motor assembly should not rotate (left or right) when seated properly.

WARNING: Failure to reattach the cross pin and seat the “Check Tab” can cause the fan to fall from the ceiling during operation. Take special care to make sure this pin is reattached.

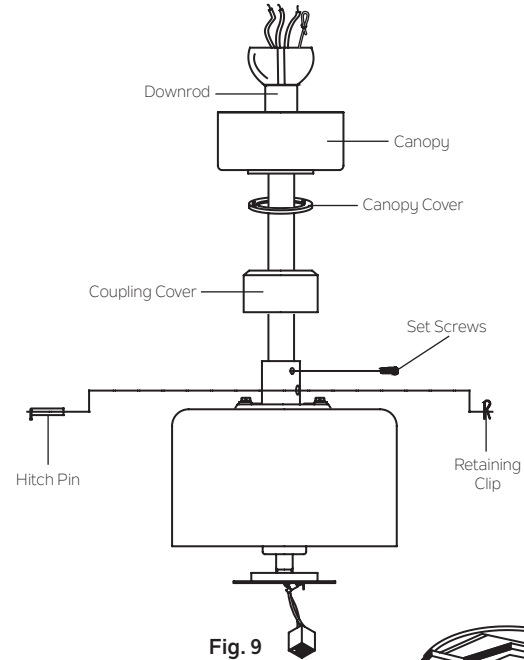


Fig. 9

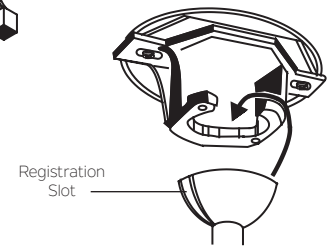


Fig. 10

INSTALLATION OF SAFETY SUPPORT (required for Canadian installation ONLY)

A safety support cable is provided to help prevent the ceiling fan from falling.

Step 1. Attach the wood screw and washers to the ceiling joist next to the mounting bracket but do not tighten. (Fig. 11)

Step 2. Adjust the length of the safety cable to reach the screw and washers by pulling the extra cable through the cable clamp until the overall length is correct, put the end of the cable back through the cable clamp, forming a loop at the end of the cable. Tighten the cable clamp securely. Now, put the loop in the end of the safety cable over the wood screw and under the washer. Tighten the wood screw securely.

NOTE: Although the safety support cable is required for Canadian installations only. It's a good idea to make the attachment with any installation.

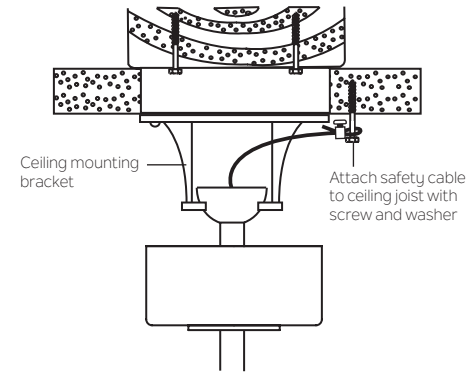


Fig. 11

ELECTRICAL CONNECTIONS

WARNING: To avoid possible electrical shock, be sure you have turned off the power at the main circuit panel.

Follow the steps below to connect the fan to your household wiring. Use the wire connecting nuts supplied with your fan. Secure the connectors with electrical tape. Make sure there are no loose wire strands or connections.

Step 1. Connect the fan supply (black) wire and light supply (blue) wire to the black household supply wire as shown in Figure 12.

Step 2. Connect the neutral fan (white) wire to the neutral household (white) wire.

Step 3. Connect the fan ground wire (green) to the household ground wire.

Step 4. After connecting the wires, spread them apart so that the green and white wires are on one side of the outlet box and the black wires are on the other side.

Step 5. Turn the connecting nuts upward and push the wiring into the outlet box.

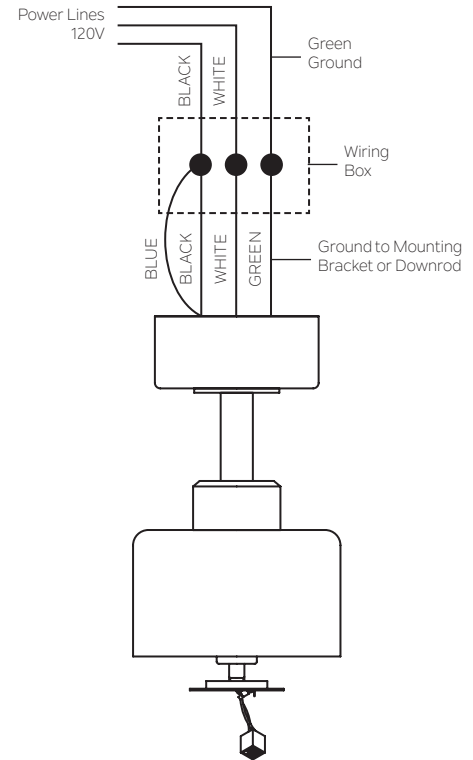


Fig. 12

FINISHING THE INSTALLATION

Step 1. Tuck all the connections neatly into the ceiling outlet box.

Step 2. Slide the canopy up to the mounting bracket and place one of the key hole slots over the mounting screw on the mounting bracket. Rotate the canopy until the screw head locks in place at the narrow section of the key hole. See figure 13.

Step 3. Align the remaining circular hole on the canopy with the remaining hole on the Ceiling Mounting Bracket. Insert and tighten the mounting screw you removed earlier and the mounting screw from Step 2 above. Now, attach the canopy cover to the mounting screw heads by inserting the screw heads into the bottom side of the canopy cover and rotating the cover clockwise.

NOTE: Adjust the canopy screws as necessary until the canopy and canopy cover are snug. (Fig. 13)

WARNING: Make sure the “Check Tab” at the bottom of the hanger bracket is properly seated in the “Registration Slot” on the side of the hanger ball before attaching the canopy to the bracket.

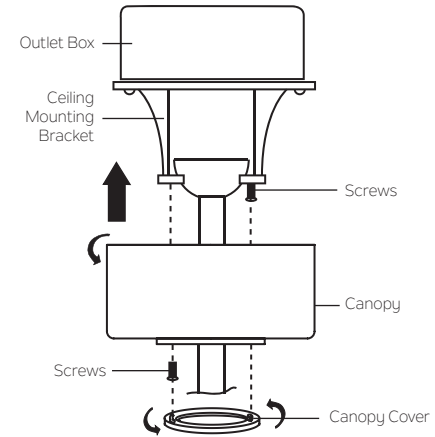


Fig. 13

ATTACHING THE FAN BLADES

CAUTION: To Reduce The Risk Of Electric Shock, Disconnect The Electrical Supply Circuit To The Fan Before Installing Fan Blades.

CAUTION: Remove the five rubber shipping blocks attached to the face of the motor. These blocks keep the motor from shifting during shipping and **MUST** be removed during installation.

Step 1. Attach a blade to a blade bracket using the screws and fiber washers provided. (Fig. 14)

Make sure the blade is straight when set on the blade bracket. Tighten each mounting screw until the fiber washer is slightly compressed. Repeat this procedure for each blade.

Step 2. Attach each blade assembly to the motor using the blade bracket mounting screws. (Fig 14)

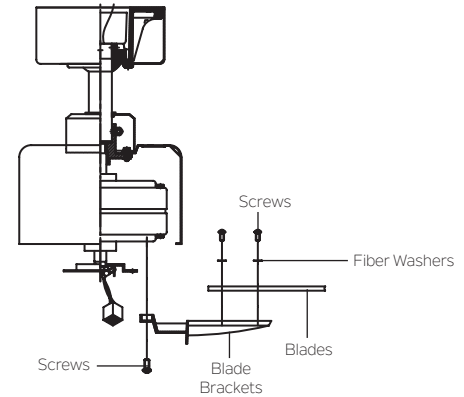


Fig. 14

INSTALLING THE MOUNTING PLATE

Step 1. Loosen the two screws on the mounting ring attached to the motor shaft and “remove” and save the third screw. (Fig. 15)

Step 2. Place the key holes on the mounting plate over the 2 screws previously loosened from the mounting ring, turn mounting plate until it locks in place at the narrow section of the key holes. Secure by tightening the 2 screws previously loosened and the one previously removed. (Fig. 15)

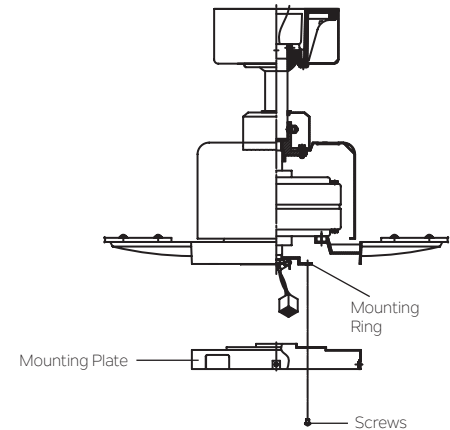


Fig. 15

INSTALLING THE SWITCH HOUSING

CAUTION: To Reduce The Risk Of Electric Shock, Disconnect The Electrical Supply Circuit To The Fan Before Installing Switch Housing.

Step 1. While holding the switch housing under your ceiling fan, push the square wire connectors together. One from the fan and one from the switch housing. (Fig.16)

NOTE: These connectors are color coded and will ONLY engage when the colored strips are matched (aligned).

Step 2. Carefully push all the wires into the switch housing.

Attach the switch housing to the mounting plate with the screws provided. Make sure each screw is tight. (Fig. 16)

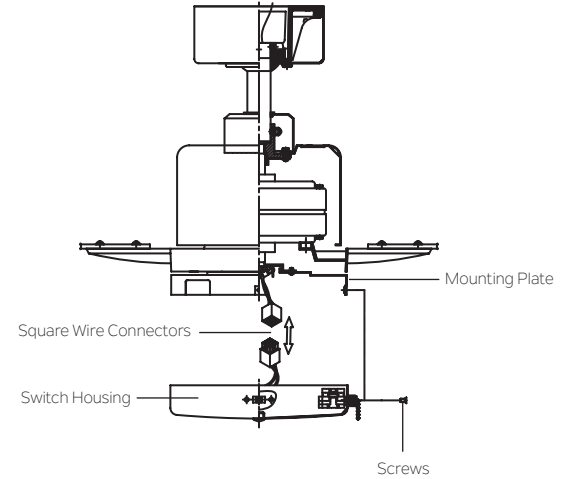


Fig. 16

OPERATING INSTRUCTIONS

Turn the power on and check the operation of your ceiling fan.

The pull chain controls the 3 speeds of your ceiling fan.

1 pull = High, 2 pulls = Medium, 3 pulls = Low and the 4th pull turns the motor off.

The Black Slide Switch on the side of the switch housing controls the direction of the blades "Forward and Reverse".

WARNING: Do not operate reversing switch while fan blades are in motion. Fan must be turned off and blades stopped before reversing blade direction.

Warm weather - Forward (counter clockwise) A downward airflow creates a cooling effect as shown in Fig. 17. This allows you to set your air conditioner on a warmer setting without affecting your comfort.

Cool weather - Reverse (clockwise) An upward airflow moves warm air off the ceiling area as shown in Fig. 18. This allows you to set your heating unit on a cooler setting without affecting your comfort.

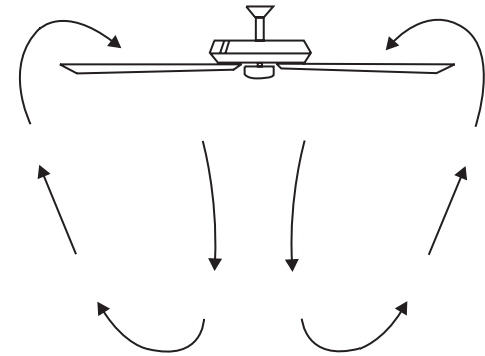


Fig. 17

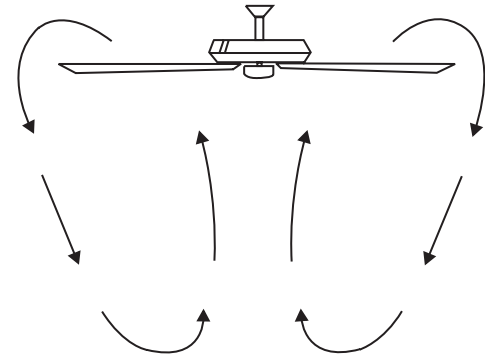


Fig. 18

TROUBLESHOOTING

Problem	Solution
Fan will not start.	<ol style="list-style-type: none">1. Check circuit fuses or breakers.2. Check all electrical connections to ensure proper contact. CAUTION: Make sure the main power is OFF when checking any electrical connection.
Fan sounds noisy.	<ol style="list-style-type: none">1. Make sure all motor housing screws are snug.2. Make sure the screws that attach the fan blade brackets to the motor are tight.3. Make sure wire nut connections are not rubbing against each other or the interior wall of the switch housing. CAUTION: Make sure main power is off.4. Allow a 24-hour “breaking-in” period. Most noise associated with a new fan will disappear during this time.5. If using an optional light kit, make sure the screws securing the glassware are tight. Make sure the light bulbs are not touching any other component.6. Do not connect this fan to wall mounted variable speed control(s). They are not compatible with ceiling fan motors or remote controls.7. Make sure the upper canopy is a short distance from the ceiling. It should not touch the ceiling.
Fan wobble.	<ol style="list-style-type: none">1. Check that all blade and blade arm screws are secure.2. Most fan wobbling problems are caused when blade levels are unequal. Check this level by selecting a point on the ceiling above the tip of one of the blades. Measure this distance. Rotate the fan until the next blade is positioned for measurement. Repeat for each blade. The distance deviation should be equal within 1/8".3. If the blade wobble is still noticeable, interchanging two adjacent (side by side) blades can redistribute the weight and possibly result in smoother operation.

KICHLER®

www.kichler.com

KICHLER® LIGHTING LLC

30455 SOLON ROAD

SOLON, OHIO 44139

CUSTOMER SERVICE 866.558.5706

8:00 AM TO 5:00 PM EST, MONDAY - FRIDAY

2022/07/28

© Kichler Lighting LLC. All Rights Reserved.

KICHLER®

Lucian II de 42 po, 52 po et 60 po

Les images du produit peuvent varier légèrement par rapport au produit réel.



MANUEL D'INSTRUCTIONS
Modèle n° : 330241, 330242, 330243

LISEZ ET CONSERVEZ CES INSTRUCTIONS

REV.28-JUL-2022

TABLE DES MATIÈRES

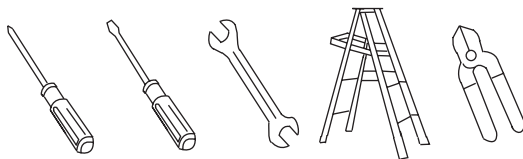
RÈGLES DE SÉCURITÉ	3	FIN DE L'INSTALLATION.....	11
OUTILS NÉCESSAIRES.....	4	FIXATION DES PALES DU VENTILATEUR	12
CONTENU DU COLIS.....	4	INSTALLATION DE LA PLAQUE DE MONTAGE.....	12
OPTIONS DE MONTAGE.....	5	INSTALLATION DU BOÎTIER DE COMMUTATEUR.....	13
SUSPENDRE LE VENTILATEUR.....	6	INSTRUCTIONS D'UTILISATION.....	14
INSTALLATION DU SUPPORT DE SÉCURITÉ.....	9	DÉPANNAGE	15
RACCORDEMENTS ÉLECTRIQUES	10		

RÈGLES DE SÉCURITÉ

1. **ATTENTION : RISQUE DE CHOC :** Débranchez l'alimentation au panneau du disjoncteur principal ou à la boîte à fusibles principale avant de démarrer et pendant l'installation.
 2. **AVERTISSEMENT :** Tout le câblage doit être conforme au National Electrical Code « ANSI/NFPA 70 » et aux codes électriques locaux. L'installation électrique doit être effectuée par un électricien qualifié et agréé.
 3. **AVERTISSEMENT :** Ne convient pas à une utilisation avec des commandes de vitesse à semi-conducteurs.
 4. **AVERTISSEMENT :** Pour réduire le risque d'incendie, d'électrocution ou de blessure corporelle, installez l'appareil sur une boîte de sortie portant la mention « acceptable pour soutenir un ventilateur de 15,9 kg (35 lb) ou moins ». Utilisez les vis de montage livrées avec la boîte de sortie. Il faudra probablement remplacer la boîte de sortie, car la plupart des boîtes de sortie utilisées pour soutenir des appareils d'éclairage ne sont pas acceptables pour soutenir un ventilateur. En raison de la complexité de l'installation de ce ventilateur, un électricien agréé qualifié est fortement recommandé.
 5. La boîte de sortie et la structure de support doivent être solidement montées et capables de supporter de manière fiable un minimum de 15,9 kg (35 lb). N'utilisez que des boîtes de sortie cULus portant la mention « Acceptable pour soutenir un ventilateur de 15,9 kg (35 lb) ou moins ».
 6. Le ventilateur doit être monté avec un dégagement minimum de 2,1 m (7 pieds) entre le bord de fuite des pales et le sol.
 7. **AVERTISSEMENT :** N'actionnez pas l'inverseur lorsque les pales du ventilateur sont en mouvement. Le ventilateur doit être éteint et les pales arrêtées avant d'inverser le sens des pales.
 8. Évitez de placer des objets sur la trajectoire des pales.
 9. **AVERTISSEMENT :** assurez-vous que l'alimentation est coupée avant de nettoyer votre ventilateur.
 10. Pour éviter des blessures corporelles ou des dommages au ventilateur et à d'autres éléments, soyez prudent lorsque vous travaillez autour ou nettoyez le ventilateur.
 11. N'utilisez pas d'eau ou de détergents pour nettoyer le ventilateur ou les pales du ventilateur. Un chiffon sec à poussière ou un chiffon légèrement humide conviendra pour la plupart des nettoyages.
 12. Après avoir effectué les raccordements électriques, les conducteurs raccordés doivent être tournés vers le haut et poussés avec précaution dans le boîtier de sortie. Les fils doivent être écartés avec le conducteur mis à la terre et le conducteur de mise à la terre de l'équipement d'un côté de la boîte de sortie et le conducteur non mis à la terre de l'autre côté de la boîte de sortie.
 13. Les schémas électriques sont fournis à titre indicatif uniquement. Les ensembles d'éclairage qui ne sont pas fournis avec le ventilateur doivent être répertoriés et marqués cULus pour une utilisation avec le modèle de ventilateur que vous installez. Les commutateurs doivent être des commutateurs cULus à usage général. Reportez-vous aux instructions fournies avec les ensembles d'éclairage et les interrupteurs pour un assemblage correct.
 14. Toutes les vis de réglage doivent être vérifiées et resserrées si nécessaire avant l'installation.
- AVERTISSEMENT : POUR RÉDUIRE LES RISQUES DE BLESSURES CORPORELLES, NE PLIEZ PAS LES PALES (ÉGALEMENT APPELÉS BRIDES) PENDANT LE MONTAGE OU APRÈS L'INSTALLATION. NE PAS INSÉRER D'OBJETS SUR LE PASSAGE DES PALES.**
- POIDS NET 10 KG (22 LB) / POIDS BRUT 11 KG (24,2 LB) (42 PO)
POIDS NET 11,5 KG (25,3 LB) / POIDS BRUT 12,5 KG (28 LB) (52 PO)
POIDS NET 13 KG (28,6 LB) / POIDS BRUT 14 KG (31 LB) (60 PO)**

OUTILS NÉCESSAIRES

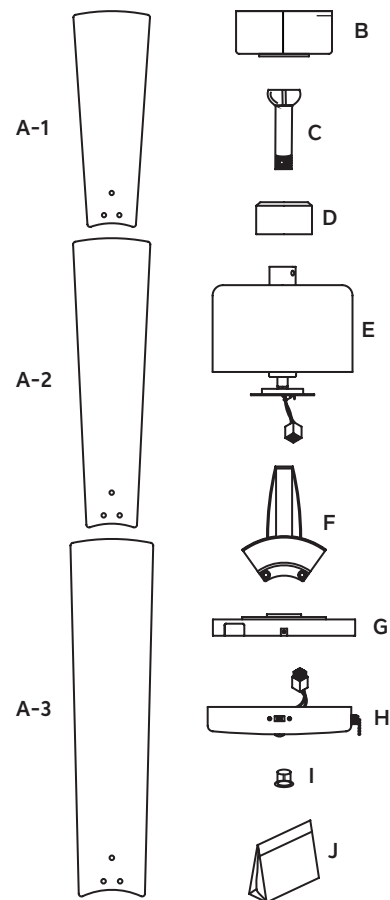
- Tournevis cruciforme
- Tournevis à lame
- Clé de 11 mm
- Escabeau
- Pinces coupantes



CONTENU DU COLIS

Déballiez votre ventilateur et vérifiez le contenu. Vous devriez avoir les éléments suivants :

- | | |
|---------------------------------------|--|
| A-1. Pales de ventilateur (5) (42 po) | I. Bouchon en plastique |
| A-2. Pales de ventilateur (5) (52 po) | J. Contenu du sac de pièces |
| A-3. Pales de ventilateur (5) (60 po) | 1) Matériel de montage :
Capuchons de connexion (3) |
| B. Support de montage au plafond | 2) Matériel de fixation de pale :
Vis (15), rondelles de fibre (15) |
| C. Ensemble boule/tige descendante | 3) Matériel de montage du câble de
sécurité : |
| D. Couvercle d'accouplement | Vis à bois, rondelle de blocage, rondelle |
| E. Ensemble moteur de ventilateur | 4) Chaînes de traction et télécommandes |
| F. Jeu de 5 supports de pale | |
| G. Plaque de montage | |
| H. Boîtier d'interrupteur | |



OPTIONS DE MONTAGE

S'il n'y a pas de boîtier de montage homologué UL (cUL pour installation canadienne), lisez les instructions suivantes. Débranchez l'alimentation en retirant les fusibles ou en désactivant les disjoncteurs.

Fixez le boîtier de sortie directement à la structure du bâtiment. Utilisez des fixations et des matériaux de construction appropriés. Le boîtier de sortie et son support doivent pouvoir supporter entièrement le poids total du ventilateur (jusqu'à 15,9 kg (35 lb)). N'utilisez pas de boîtiers de sortie en plastique.

Les figures 1, 2 et 3 sont des exemples des différentes manières de monter le boîtier de sortie.

REMARQUE : Si vous installez le ventilateur de plafond sur un plafond en pente (voûté), vous aurez peut-être besoin d'une tige descendante plus longue pour maintenir un dégagement approprié entre la pointe de la pale et le plafond. Un dégagement minimum de 12 po est suggéré pour un fonctionnement optimal.

REMARQUE : Selon l'endroit que vous avez choisi pour l'installation, vous devrez peut-être acheter et installer une « suspente de solive » pour soutenir le boîtier de sortie. Assurez-vous que la suspente de solive que vous achetez a été conçu pour être utilisé avec des ventilateurs de plafond. (Fig. 4)

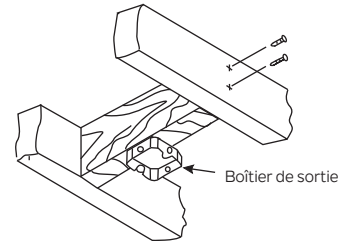


Fig. 1

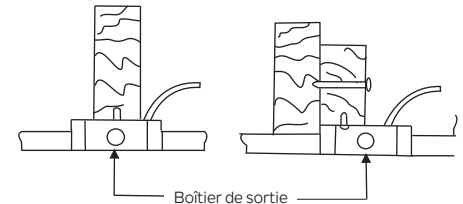


Fig. 2

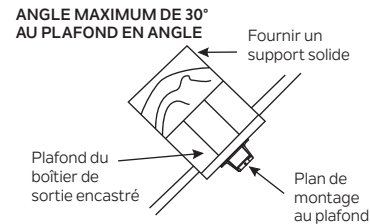


Fig. 3

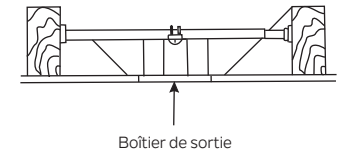


Fig. 4

SUSPENDRE LE VENTILATEUR

AVERTISSEMENT : Toutes les vis de réglage doivent être vérifiées et resserrées si nécessaire avant l'installation.

RAPPELEZ-VOUS de couper l'alimentation avant de commencer l'installation.

Pour installer correctement votre ventilateur de plafond, suivez les étapes ci-dessous.

Étape 1. Retirez le couvercle inférieur décoratif de l'auvent en le tournant dans le sens inverse des aiguilles d'une montre. (Fig. 5)

Étape 2. Retirez le support de montage au plafond de l'auvent en retirant et en conservant l'une des deux vis. Desserrez la vis restante d'un demi-tour. (Fig. 5)

Étape 3. Faites passer les fils d'alimentation de 120 volts du boîtier de sortie au plafond par le centre du support de montage au plafond. (Fig. 6)

Étape 4. Installez le support de montage sur le boîtier de sortie au plafond à l'aide des vis et rondelles fournies avec le boîtier de sortie. (Fig. 6)

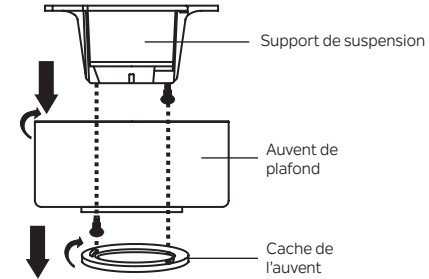


Fig. 5

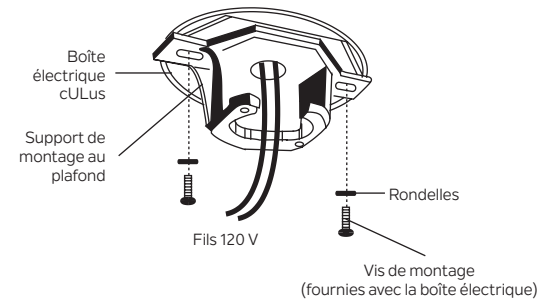


Fig. 6

SUSPENDRE LE VENTILATEUR (suite)

AVERTISSEMENT : Toutes les vis de réglage doivent être vérifiées et resserrées si nécessaire avant l'installation.

Étape 5. Retirez la boule de suspension de l'assemblage de la tige descendante en desserrant les vis de réglage, en dévissant et retirant la goupille transversale et en dévissant la boule hors de la tige. (Fig. 7)

Étape 6. Desserrez les deux vis de réglage et retirez la goupille d'attelage et le clip de retenue de l'accouplement sur le dessus de l'ensemble moteur. (Fig. 8)

Étape 7. Faites passer avec précaution les fils électriques et le câble de sécurité du ventilateur vers le haut à travers la tige descendante. Vissez la tige descendante sur l'accouplement du moteur jusqu'à ce que les trous des goupilles d'attelage soient alignés.

Remettez ensuite en place la goupille d'attelage et le clip de retenue. Serrez les deux vis de réglage. (Fig. 8)

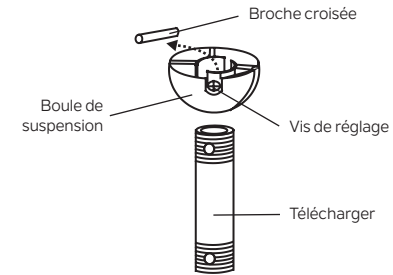


Fig. 7

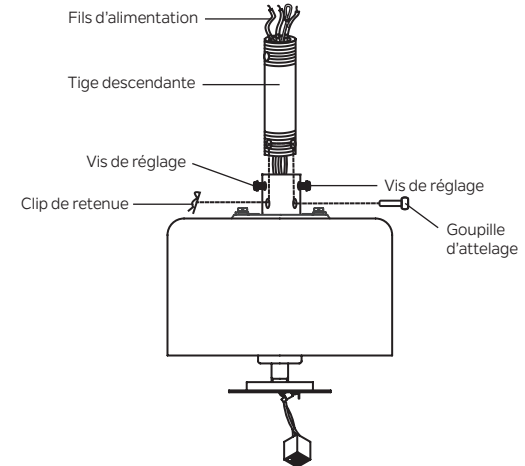


Fig. 8

SUSPENDRE LE VENTILATEUR (Suite)

Étape 8. Glissez le couvercle du couplage, le cache de l'auvent et l'auvent sur la tige descendante. (Fig. 9)

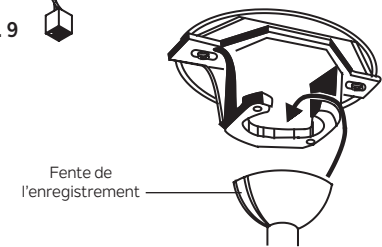
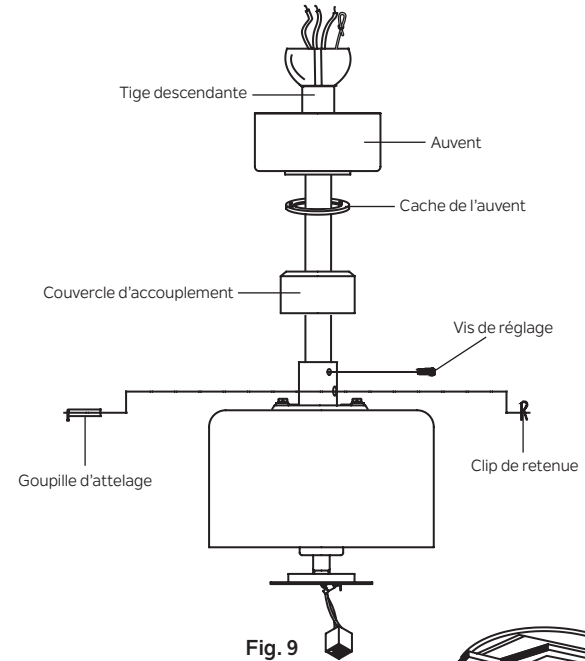
Enfilez la boule de suspension sur la tige descendante, insérez la tige transversale à travers la tige descendante et serrez. Maintenant, serrez la vis de réglage. (Fig. 9)

Étape 9. Soulevez maintenant l'assemblage moteur et placez la boule de suspension dans le support de montage.

Faites pivoter l'ensemble jusqu'à ce que la « languette de contrôle » soit tombée dans la « fente d'enregistrement » et soit fermement en place. (Fig. 10)

L'ensemble du moteur ne doit pas tourner (à gauche ou à droite) lorsqu'il est correctement installé.

AVERTISSEMENT : Le fait de ne pas remettre en place la goupille transversale et de placer la « languette de contrôle » peut entraîner la chute du ventilateur du plafond pendant le fonctionnement. Veillez tout particulièrement à ce que cette goupille soit remise en place.



INSTALLATION DU SUPPORT DE SÉCURITÉ (requis pour l'installation au Canada SEULEMENT)

Un câble de support de sécurité est fourni pour aider à empêcher le ventilateur de plafond de tomber.

Étape 1. Fixez la vis à bois et les rondelles à la solive de plafond à côté du support de montage, mais ne serrez pas. (Fig. 11)

Étape 2. Ajustez la longueur du câble de sécurité pour atteindre la vis et les rondelles en tirant le câble supplémentaire à travers le serre-câble jusqu'à ce que la longueur totale soit correcte, remettez l'extrémité du câble à travers le serre-câble, formant une boucle à l'extrémité du câble. Serrez fermement le serre-câble. Maintenant, placez la boucle à l'extrémité du câble de sécurité sur la vis à bois et sous la rondelle. Serrez fermement la vis à bois.

REMARQUE : Bien que le câble de support de sécurité ne soit requis que pour les installations canadiennes. C'est une bonne idée de faire la fixation avec n'importe quelle installation.

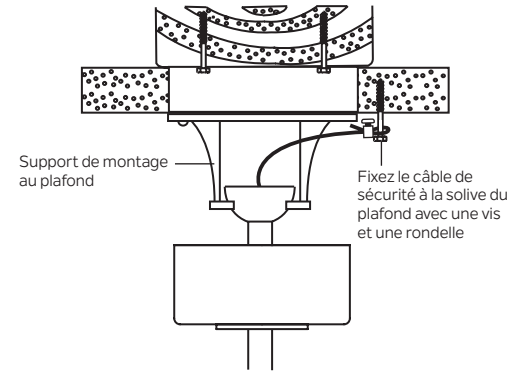


Fig. 11

RACCORDEMENTS ÉLECTRIQUES

AVERTISSEMENT : Pour éviter tout risque d'électrocution, assurez-vous d'avoir coupé l'alimentation au panneau de circuit principal avant de procéder au câblage.

Suivez les étapes ci-dessous pour raccorder le ventilateur à votre câblage domestique. Utilisez les écrous de raccords des fils fournis avec votre ventilateur. Fixez les connecteurs avec du ruban isolant. Assurez-vous qu'il n'y a pas de torons métalliques ou de raccords desserrés.

Étape 1. Raccordez le fil d'alimentation du ventilateur (noir) et le fil d'alimentation (bleu) du ventilateur au fil d'alimentation domestique noir comme illustré à la Figure 12.

Étape 2. Raccordez le fil neutre du ventilateur (blanc) au fil neutre (blanc) du foyer.

Étape 3. Raccordez le fil de terre du ventilateur (vert) au fil de terre de la maison.

Étape 4. Après avoir raccordé les fils, écartez-les de manière à ce que les fils vert et blanc soient d'un côté du boîtier de sortie et que les fils noirs soient de l'autre côté.

Étape 5. Tournez les écrous de raccords vers le haut et poussez le câblage dans la boîte de sortie.

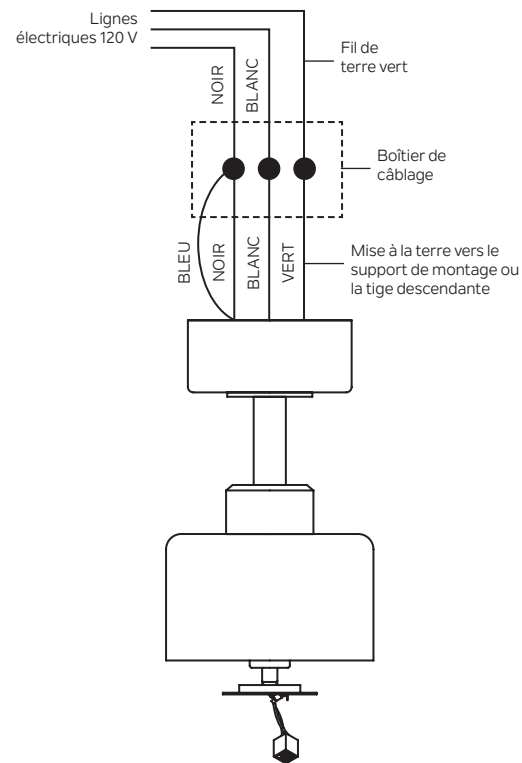


Fig. 12

FIN DE L'INSTALLATION

Étape 1. Rentrez soigneusement toutes les connexions dans la boîte de sortie au plafond.

Étape 2. Faites glisser l'auvent jusqu'au support de montage et placez l'une des fentes du trou de serrure sur la vis de montage du support de montage. Faites tourner l'auvent jusqu'à ce que la tête de la vis se bloque en place au niveau de la partie étroite du trou de la clé. Voir la figure 13.

Étape 3. Alignez le trou circulaire restant sur l'auvent avec le trou restant sur le support de montage au plafond. Insérez et serrez la vis de montage que vous avez retirée précédemment et la vis de montage de l'étape 2 ci-dessus. Maintenant, fixez le couvercle de l'auvent aux têtes de vis de montage en insérant les têtes de vis dans le côté inférieur du couvercle de l'auvent et en faisant tourner le couvercle dans le sens des aiguilles d'une montre.

REMARQUE : Ajustez les vis de l'auvent si nécessaire jusqu'à ce que l'auvent et le couvercle de l'auvent soient bien ajustés. (Fig. 13)

AVERTISSEMENT : Assurez-vous que la « languette de contrôle » située en bas du support de suspension est correctement placée dans la « fente d'enregistrement » sur le côté de la boule de suspension avant de fixer l'auvent au support.

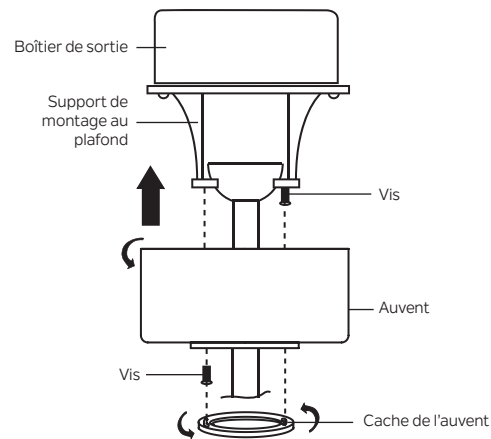


Fig. 13

FIXATION DES PALES DU VENTILATEUR

ATTENTION : Pour réduire le risque de choc électrique, débranchez le circuit d'alimentation électrique du ventilateur avant d'installer les pales du ventilateur.

ATTENTION : Retirez les cinq blocs d'expédition en caoutchouc fixés à la face du moteur. Ces blocs empêchent le moteur de se déplacer pendant l'expédition et **DOIVENT** être retirés pendant l'installation.

Étape 1. Fixez une pale à un support de pale à l'aide des vis et des rondelles de fibre fournies. (Fig. 14)

Assurez-vous que la pale est droite lorsqu'elle est placée sur le support de pale. Serrez chaque vis de montage jusqu'à ce que la rondelle de fibre soit légèrement comprimée. Répétez cette procédure pour chaque pale.

Étape 2. Fixez chaque ensemble de pale au moteur à l'aide des vis de montage du support de pale. (Fig. 14)

INSTALLATION DE LA PLAQUE DE MONTAGE

Étape 1. Desserrez les deux vis de la bague de montage fixée à l'arbre du moteur et « enlevez » et conservez la troisième vis. (Fig. 15)

Étape 2. Placez les trous de serrure de la plaque de montage sur les 2 vis précédemment desserrées de la bague de montage, tournez la plaque de montage jusqu'à ce qu'elle se verrouille en place au niveau de la section étroite des trous de serrure. Fixez en serrant les 2 vis précédemment desserrées et celle précédemment retirée. (Fig. 15)

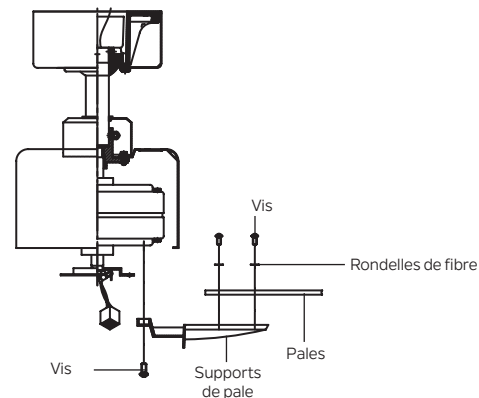


Fig. 14

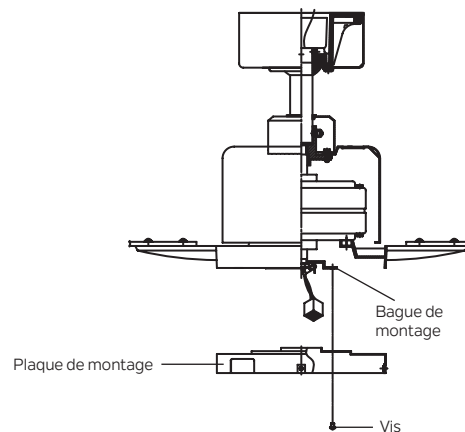


Fig. 15

INSTALLATION DU BOÎTIER DE COMMUTATEUR

ATTENTION : Pour réduire le risque de choc électrique, débranchez le circuit d'alimentation électrique du ventilateur avant d'installer boîtier d'interrupteur.

Étape 1. Tout en tenant le boîtier d'interrupteur sous votre ventilateur de plafond, poussez les connecteurs carrés des fils ensemble. Un pour le ventilateur et un pour le boîtier d'interrupteur. (Fig. 16)

REMARQUE : Ces connecteurs sont codés par couleur et s'enclenchent UNIQUEMENT lorsque les bandes colorées sont appariées (alignées).

Étape 2. Poussez délicatement tous les fils dans le boîtier de l'interrupteur.

Fixez le boîtier du commutateur à la plaque de montage à l'aide des vis fournies. Assurez-vous que chaque vis est bien serrée. (Fig. 16)

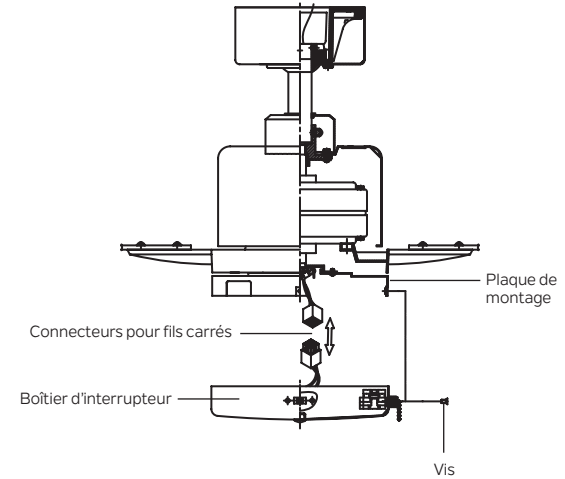


Fig. 16

INSTRUCTIONS D'UTILISATION

Rétablissez le courant et vérifiez le fonctionnement de votre ventilateur de plafond.

La chaîne de traction commande les 3 vitesses de votre ventilateur de plafond.

Tirer 1 fois = Élevé, tirer 2 fois = Moyen, tirer 3 fois = Bas et tirer 4 fois éteint le moteur.

L'interrupteur à glissière noir situé sur le côté du boîtier de l'interrupteur commande le sens des pales « vers l'avant et vers l'arrière ».

AVERTISSEMENT : N'actionnez pas l'inverseur lorsque les pales du ventilateur sont en mouvement. Le ventilateur doit être éteint et les pales arrêtées avant d'inverser le sens des pales.

Par temps chaud – Vers l'avant (dans le sens inverse des aiguilles d'une montre). Un flux d'air vers le bas crée un effet de refroidissement Fig. 17. Cela vous permet de régler votre climatiseur sur un réglage plus chaud sans affecter votre confort.

Par temps frais – Inverser (sens horaire) Un flux d'air ascendant évacue l'air chaud des zones du plafond Fig. 18. Cela vous permet de régler votre unité de chauffage sur un réglage plus froid sans affecter votre confort.

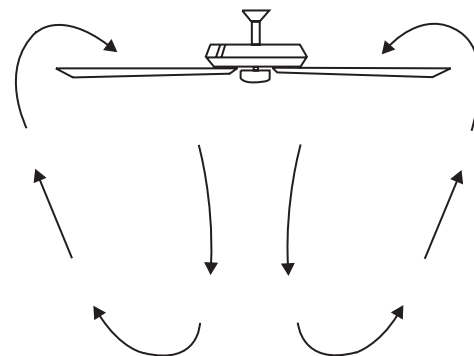


Fig. 17

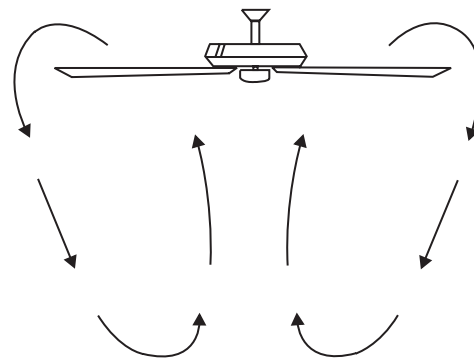


Fig. 18

DÉPANNAGE

Problème

Solution

Le ventilateur ne démarre pas.

1. Vérifiez les fusibles ou les disjoncteurs.
2. Vérifiez tous les raccordements électriques pour assurer un bon contact. **ATTENTION : Assurez-vous que l'alimentation principale est coupée lors de la vérification de tout raccordement électrique.**

Le ventilateur fait du bruit.

1. Assurez-vous que toutes les vis du boîtier du moteur sont bien serrées.
2. Assurez-vous que les vis qui fixent les supports des pales du ventilateur au moteur sont bien serrées.
3. Assurez-vous que les raccords des écrous métalliques ne frottent pas les uns contre les autres ou contre la paroi intérieure du boîtier de l'interrupteur. **ATTENTION : Assurez-vous que l'alimentation principale est coupée.**
4. Prévoyez une période de « rodage » de 24 heures. La plupart des bruits associés à un nouveau ventilateur disparaîtront pendant ce temps.
5. Si vous utilisez un ensemble d'éclairage en option, assurez-vous que les vis fixant la verrerie sont bien serrées. Assurez-vous que les ampoules ne touchent aucun autre composant.
6. Ne connectez pas ce ventilateur à une ou plusieurs commandes de vitesse variable fixées au mur. Ils ne sont pas compatibles avec les moteurs de ventilateurs de plafond ou les télécommandes.
7. Assurez-vous que la verrière supérieure est à une courte distance du plafond. Elle ne doit pas toucher le plafond.

Le ventilateur vacille.

1. Vérifiez que toutes les vis de la pale et du bras de pale sont bien fixées.
2. La plupart des problèmes d'oscillation du ventilateur sont causés lorsque les niveaux des pales sont inégaux. Vérifiez ce niveau en sélectionnant un point sur le plafond au-dessus de la pointe de l'une des pales. Mesurez cette distance. Faites tourner le ventilateur jusqu'à ce que la pale suivante soit positionnée pour la mesure. Répétez pour chaque pale. L'écart de distance doit être égal à 1/8 po.
3. Si l'oscillation de la pale est toujours perceptible, interchanger deux pales adjacentes (côte à côte) peut redistribuer le poids et éventuellement entraîner un fonctionnement plus fluide.

KICHLER®

www.kichler.com

KICHLER® LIGHTING LLC

30455 SOLON ROAD

SOLON, OHIO 44139

SERVICE À LA CLIENTÈLE 866.558.5706

8 h à 17 h EST, DU LUNDI AU VENDREDI

2022/07/28

© Kichler Lighting LLC. Tous droits réservés.

KICHLER®

Lucian II de 42 in, 52 in y 60 in

Las imágenes del producto pueden diferir ligeramente del producto real.



MANUAL DE INSTRUCCIONES
Modelo n.º: 330241, 330242, 330243

LEER Y GUARDAR ESTAS INSTRUCCIONES

REV.28-JUL-2022

ÍNDICE

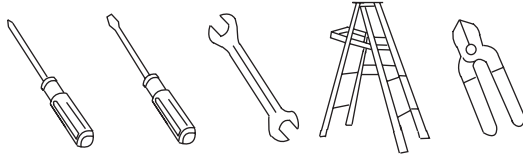
NORMAS DE SEGURIDAD.....	3	FINALIZACIÓN DE LA INSTALACIÓN	11
HERRAMIENTAS NECESARIAS	4	COLOCACIÓN DE LAS ASPAS DEL VENTILADOR....	12
CONTENIDO DEL PAQUETE.....	4	INSTALACIÓN DE LA PLACA DE MONTAJE	12
OPCIONES DE MONTAJE.....	5	INSTALACIÓN DE LA CARCASA DEL INTERRUPTOR...	13
COLGAR EL VENTILADOR.....	6	INSTRUCCIONES DE FUNCIONAMIENTO	14
INSTALACIÓN DE SOPORTE DE SEGURIDAD ...	9	RESOLUCIÓN DE PROBLEMAS	15
CONEXIONES ELÉCTRICAS	10		

NORMAS DE SEGURIDAD

- 1. PRECAUCIÓN: RIESGO DE DESCARGA ELÉCTRICA.** Desconecte la energía en el panel del disyuntor principal o en la caja de fusibles principal antes de comenzar y durante la instalación.
 - 2. ADVERTENCIA:** Todo el cableado debe instalarse de acuerdo con el Código Eléctrico Nacional 70 del Instituto Nacional Estadounidense de Estándares (American National Standards Institute, ANSI)/ la Asociación Nacional de Protección contra Incendios (National Fire Protection Association) y los códigos eléctricos locales. La instalación eléctrica debe ser realizada por un electricista calificado.
 - 3. ADVERTENCIA:** No apto para usar con controles de velocidad de estado sólido.
 - 4. ADVERTENCIA:** Para reducir el riesgo de incendio, descarga eléctrica u otras lesiones personales, monte el ventilador conectándolo a la caja de salida marcada como “Apta para soporte de ventilador de 15,9 kg (35 lb) o menos” y use los tornillos de montaje proporcionados con la caja de tomacorrientes. La mayoría de las cajas de salida comúnmente usadas para sujetar apliques de luz no son aptas para uso con ventiladores y deben reemplazarse. Debido a la complejidad de la instalación de este ventilador, se recomienda enfáticamente la intervención de un electricista certificado y calificado.
 - 5.** La caja de salida y la estructura de soporte deben estar montadas de manera segura y ser capaces de soportar de manera confiable un mínimo de 15,9 kg (35 libras). Use solo cajas de salida con certificación cULus y marcadas como “Apta para soporte de ventilador de 15,9 kg (35 lb) o menos”.
 - 6.** El ventilador debe montarse con un espacio libre mínimo de 2,1 m (7 pies) desde el borde posterior de las aspas hasta el suelo.
 - 7. ADVERTENCIA:** No opere el interruptor de inversión mientras las aspas del ventilador estén en movimiento. El ventilador debe estar apagado y las aspas detenidas antes de invertir la dirección de las aspas.
 - 8.** Evite colocar objetos en el camino de las aspas.
 - 9. ADVERTENCIA:** asegúrese de que la corriente esté desconectada antes de limpiar su ventilador.
 - 10.** Para evitar lesiones personales o daños al ventilador y otros elementos, tenga cuidado cuando trabaje alrededor o limpie el ventilador.
 - 11.** No use agua ni detergentes para limpiar el ventilador ni las aspas del ventilador. Un paño seco para el polvo o un paño ligeramente humedecido será adecuado para la mayor parte de la limpieza.
 - 12.** Después de realizar las conexiones eléctricas, los conductores empalmados deben girarse hacia arriba y empujarse con cuidado hacia la caja de salida. Los cables deben separarse con el conductor puesto a tierra, y el conductor de puesta a tierra del equipo en un lado de la caja de salida, y el conductor sin puesta a tierra en el otro lado de la caja de salida.
 - 13.** Los diagramas eléctricos son solo para fines de referencia. Los kits de luz que no vengan empaquetados con el ventilador deben tener la certificación cULus y estar marcados como aptos para usar con el modelo de ventilador que está instalando. Los interruptores deben ser interruptores de uso general con certificación cULus. Consulte las instrucciones que vienen con los kits de luz e interruptores para un montaje adecuado.
 - 14.** Todos los tornillos de fijación deben revisarse y volverse a apretar cuando sea necesario antes de la instalación.
- ADVERTENCIA: PARA REDUCIR EL RIESGO DE LESIONES PERSONALES, NO DOBLE LOS SOPORTES DEL ASPA (TAMBIÉN DENOMINADOS BRIDAS) DURANTE EL MONTAJE O DESPUÉS DE LA INSTALACIÓN. NO INTRODUZCA OBJETOS EN EL CAMINO DE LAS ASPAS.**
- N.W. 10 KG (22 LB) / G.W. 11 KG (24.2 LB) (42 in)
N.W. 11.5 KG (25.3 LB) / G.W. 12.5 KG (28 LB) (52 in)
N.W. 13 KG (28.6 LB) / G.W. 14 KG (31 LB) (60 in)

HERRAMIENTAS NECESARIAS

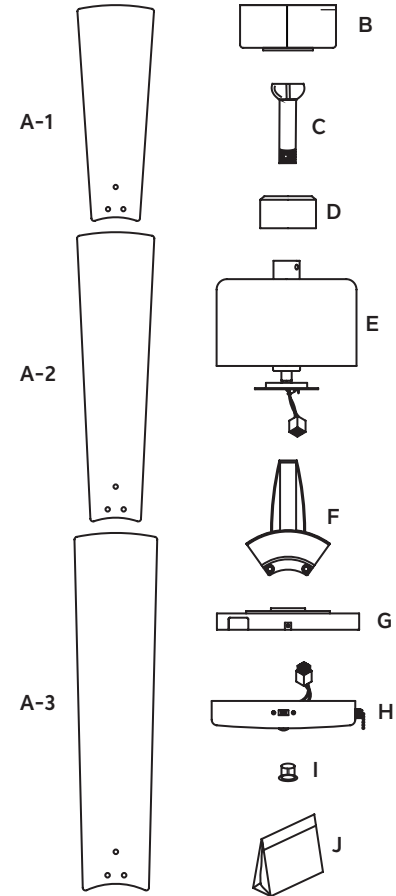
- Destornillador Phillips
- Destornillador plano
- Llave de 11 mm
- Escalera de mano
- Cortadores de alambre



CONTENIDO DEL PAQUETE

Desempaque su ventilador y verifique el contenido. Debería tener los siguientes elementos:

- | | |
|--|--|
| A-1. Aspas del ventilador (5) (42 in) | I. Tapón de plástico |
| A-2. Aspas del ventilador (5) (52 in) | J. Contenido de la bolsa de piezas |
| A-3. Aspas del ventilador (5) (60 in) | 1) Accesorios de montaje:
Tuercas para cables (3) |
| B. Soporte de montaje de techo y dosel | 2) Accesorios de fijación del aspa:
Tornillos (15), Arandelas de fibra (15) |
| C. Conjunto de bola/varilla de extensión | 3) Hardware para montaje del cable de seguridad:
Tornillos para madera, arandela de seguridad, arandela |
| D. Cubierta de acoplamiento | 4) Cadenas de tracción y leontinas |
| E. Conjunto del motor del ventilador | |
| F. Juego de 5 soportes para aspas | |
| G. Placa de montaje | |
| H. Caja del interruptor | |



OPCIONES DE MONTAJE

Si no existe una caja de montaje con certificación UL (cUL para la instalación canadiense), lea las siguientes instrucciones. Desconecte la corriente quitando los fusibles o apagando los disyuntores.

Fije la caja de salida directamente a la estructura del edificio. Utilice sujetadores y materiales de construcción adecuados. La caja de salida y su soporte deben poder soportar completamente el peso total del ventilador (hasta 15,9 kg [35 libras]). No utilice cajas de salida de plástico.

Las figuras 1, 2 y 3 son ejemplos de diferentes formas de montar la caja de salida.

NOTA: Si está instalando el ventilador de techo en un techo inclinado (abovedado), es posible que necesite una varilla de extensión más larga para mantener el espacio adecuado entre la punta del aspa y el techo. Se sugiere un espacio libre mínimo de 12" para un funcionamiento óptimo.

NOTA: Según la ubicación que haya seleccionado para la instalación, es posible que deba comprar e instalar un "colgador de viguetas" para el soporte de la caja de salida. Asegúrese de que el colgador de viguetas que compre haya sido diseñado para usarse con ventiladores de techo. (Figura 4)

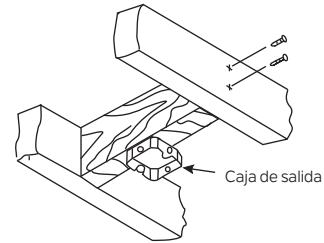


Figura 1

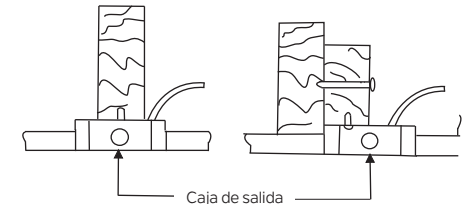


Figura 2

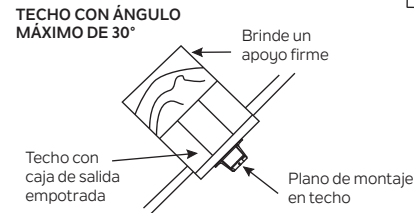


Figura 3

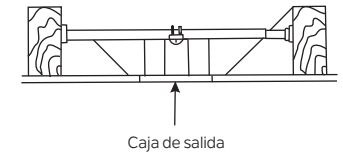


Figura 4

COLGAR EL VENTILADOR

ADVERTENCIA: Todos los tornillos de fijación deben revisarse y volverse a apretar cuando sea necesario antes de la instalación.

RECUERDE desconectar la corriente antes de comenzar la instalación.

Para instalar correctamente su ventilador de techo, siga los pasos a continuación.

Paso 1. Retire la cubierta inferior decorativa del dosel girando la cubierta en sentido contrario a las agujas del reloj. (Figura 5)

Paso 2. Retire el soporte del montaje de techo del dosel (y guarde uno de los dos tornillos). Afloje los tornillos restantes con un medio giro. (Fig. 5)

Paso 3. Pase los cables de suministro de 120 voltios desde la caja de salida del techo a través del centro del soporte de montaje del techo. (Figura 6)

Paso 4. Fije el soporte de montaje del techo a la caja de salida usando los tornillos y las arandelas incluidos con la caja de salida. (Figura 6)

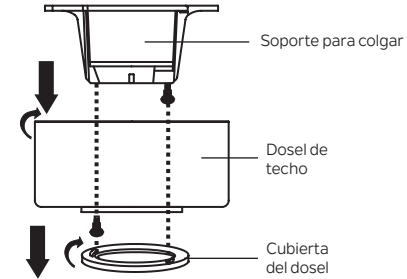


Figura 5

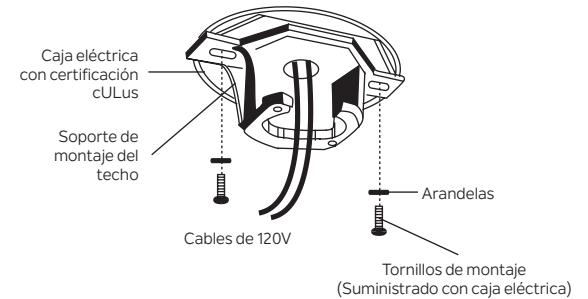


Figura 6

COLGAR EL VENTILADOR (continuación)

ADVERTENCIA: Todos los tornillos de fijación deben revisarse y volverse a apretar cuando sea necesario antes de la instalación.

Paso 5. Retire la bola de suspensión del conjunto de la varilla de extensión aflojando el tornillo de fijación, desatornillando y quitando el pasador transversal y desatornillando la bola para quitarla de la varilla. (Figura 7)

Paso 6. Afloje los dos tornillos de fijación y retire el pasador de enganche y el clip de retención del acoplamiento en la parte superior del conjunto del motor. (Figura 8)

Paso 7. Introduzca con cuidado los cables conductores eléctricos y el cable de seguridad desde el ventilador hacia arriba, a través de la varilla de extensión. Enrosque la varilla de extensión en el acoplamiento hasta que los orificios del pasador de enganche estén alineados.

A continuación, reemplace el pasador de enganche y el clip de retención. Apriete ambos tornillos de fijación. (Figura 8)

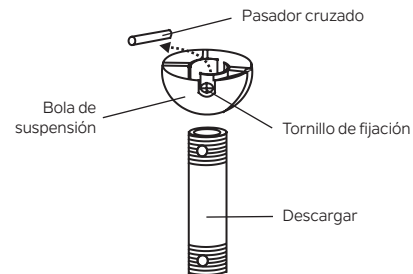


Figura 7

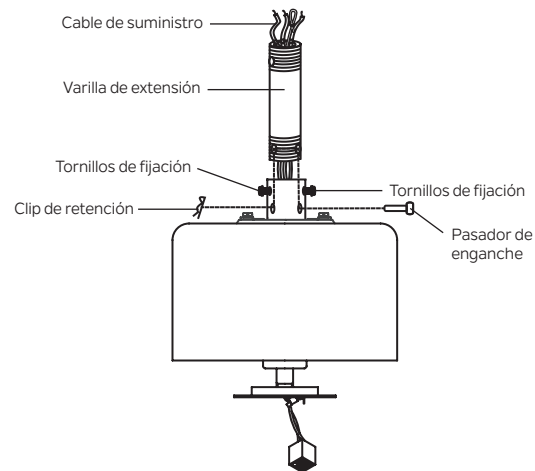


Figura 8

COLGAR EL VENTILADOR (continuación)

Paso 8. Deslice la cubierta del acoplamiento, la cubierta del dosel y el dosel por la varilla de extensión. (Figura 9)

Enrosque la bola de suspensión en la varilla de extensión, inserte el pasador transversal a través la varilla de extensión y apriete. Luego, apriete el tornillo de fijación. (Figura 9)

Paso 9. Levante el conjunto del motor a su posición y coloque la bola de suspensión en el soporte de montaje.

Gire todo el conjunto hasta que la “lengüeta de retención” haya caído en la “ranura de registro” y se asiente firmemente. (Figura 10)

Todo el conjunto del motor no debe girar (hacia la izquierda o hacia la derecha) cuando se asiente correctamente.

ADVERTENCIA: Si no vuelve a colocar el pasador transversal y asienta la “lengüeta de retención”, el ventilador puede caerse del techo durante el funcionamiento. Tenga especial cuidado para asegurarse de que este pasador se vuelva a colocar.

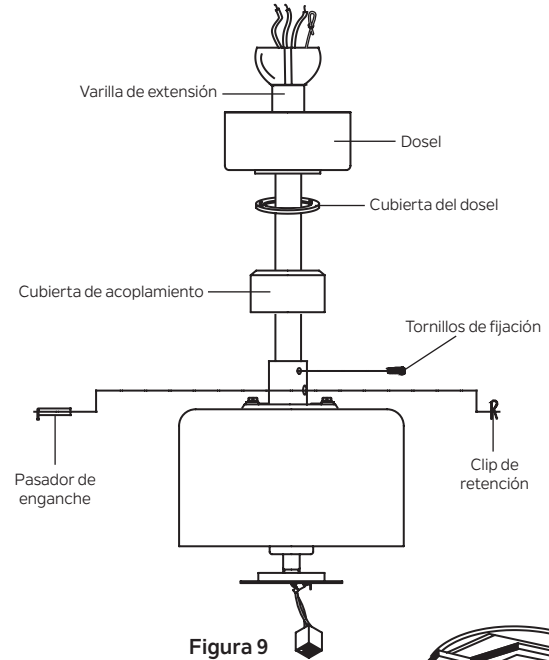


Figura 9

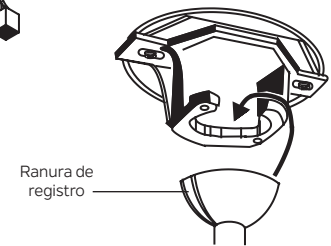


Figura 10

INSTALACIÓN DE SOPORTE DE SEGURIDAD (requerido para instalación canadiense ÚNICAMENTE)

El cable de soporte de seguridad se proporciona para ayudar a evitar que el ventilador de techo se caiga.

Paso 1. Fije el tornillo para madera y las arandelas a la viga del techo junto al soporte de montaje, pero no los apriete. (Figura 11)

Paso 2. Ajuste la longitud del cable de seguridad para alcanzar el tornillo y las arandelas tirando del cable adicional a través de la abrazadera del cable hasta que la longitud total sea la correcta, vuelva a colocar el extremo del cable a través de la abrazadera del cable, formando un bucle en el extremo del cable. Apriete firmemente la abrazadera del cable. Ahora, coloque el lazo en el extremo del cable de seguridad sobre el tornillo para madera y debajo de la arandela. Apriete firmemente el tornillo de madera.

NOTA: Aunque el cable de soporte de seguridad es necesario solo para instalaciones canadienses. Es una buena idea hacer el acoplamiento con cualquier instalación.

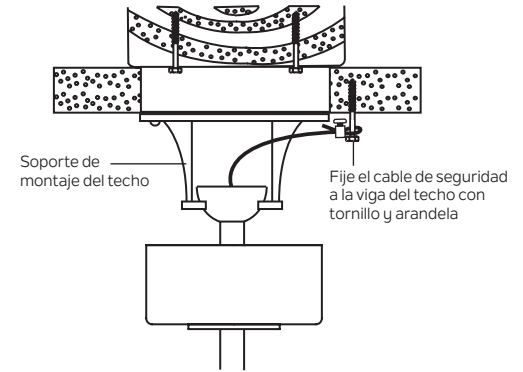


Figura 11

CONEXIONES ELÉCTRICAS

ADVERTENCIA: Para evitar posibles descargas eléctricas, asegúrese de haber desconectado la energía en el panel del circuito principal.

Siga los pasos a continuación para conectar el ventilador al cableado doméstico. Utilice las tuercas para la conexión de cables suministradas con el ventilador. Sujete los conectores con cinta aislante. Asegúrese de que no haya conexiones ni tramos de cables sueltos.

Paso 1. Conecte el cable de suministro del ventilador (negro) y el cable de suministro de luz (azul) al cable de suministro doméstico negro como se muestra en la Figura 12.

Paso 2. Conecte el cable neutro del ventilador (blanco) al cable doméstico neutro (blanco).

Paso 3. Conecte el cable de conexión a tierra del ventilador (verde) al cable de conexión a tierra doméstico.

Paso 4. Después de conectar los cables, sepárelos de modo que los cables verde y blanco estén en un lado de la caja de salida y los cables negros en el otro lado.

Paso 5. Gire las tuercas de conexión hacia arriba y empuje el cableado dentro de la caja de salida.

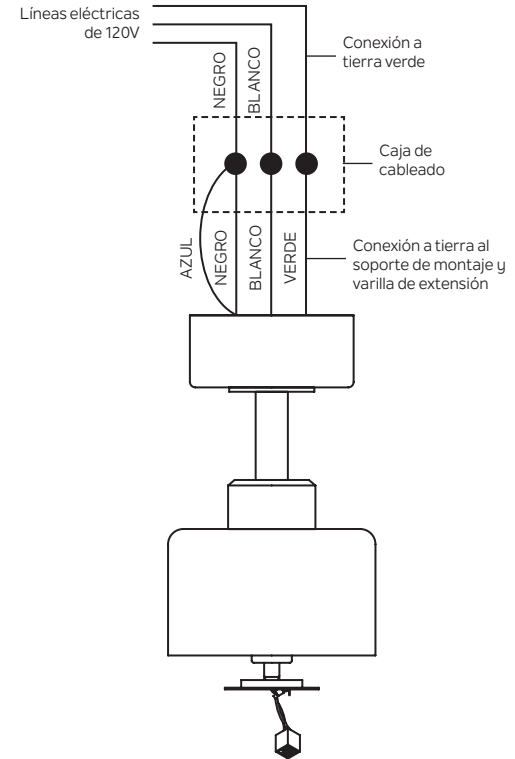


Figura 12

FINALIZACIÓN DE LA INSTALACIÓN

Paso 1. Meta todas las conexiones cuidadosamente en la caja de salida del techo.

Paso 2. Deslice el dosel hacia arriba hasta el soporte de montaje y coloque una de las ranuras del orificio de la llave sobre el tornillo del soporte de montaje. Gire el dosel hasta que la cabeza del tornillo se bloquee en su lugar en la sección estrecha del orificio de la llave. Consulte la figura 13.

Paso 3. Alinee el orificio circular restante en el dosel con el orificio restante en el soporte de montaje del techo. Inserte y apriete el tornillo de montaje que retiró anteriormente y el tornillo de montaje del Paso 2 anterior. Ahora, fije la cubierta del dosel a las cabezas de los tornillos de montaje insertando las cabezas de los tornillos en el lado inferior de la cubierta del dosel y girando la cubierta en el sentido de las agujas del reloj.

NOTA: Ajuste los tornillos del dosel según sea necesario hasta que el dosel y la cubierta del florón estén ajustados. (Figura 13)

ADVERTENCIA: Asegúrese de que la “lengüeta de retención” en la parte inferior del soporte colgante esté correctamente asentada en la “Ranura de registro” en el lado de la bola del soporte antes de fijar el dosel al soporte.

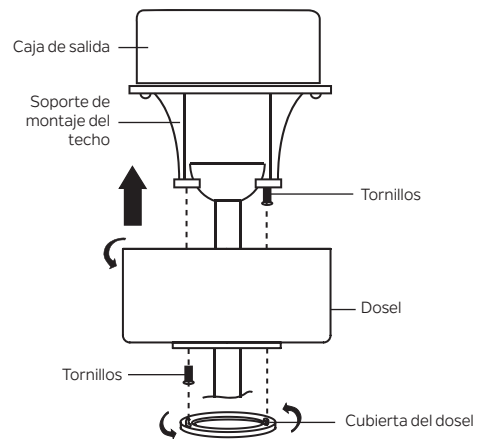


Figura 13

COLOCACIÓN DE LAS ASPAS DEL VENTILADOR

PRECAUCIÓN: Para reducir el riesgo de descarga eléctrica, desconecte el circuito de suministro eléctrico al ventilador antes de instalar las aspas.

PRECAUCIÓN: Retire los cinco bloques de goma de envío unidos a la cara del motor. Estos bloques evitan que el motor se mueva durante el envío y **DEBEN retirarse durante la instalación.**

Paso 1. Fije un asa a un soporte de asa usando los tornillos y las arandelas de fibra proporcionadas. (Figura 14)

Asegúrese de que el asa esté recta cuando esté colocada en el soporte de aspas. Apriete cada tornillo de montaje hasta que la arandela de fibra esté ligeramente comprimida. Repita este procedimiento para cada asa.

Paso 2. Fije cada asa al motor utilizando los tornillos para montaje del soporte de aspas. (Figura 14)

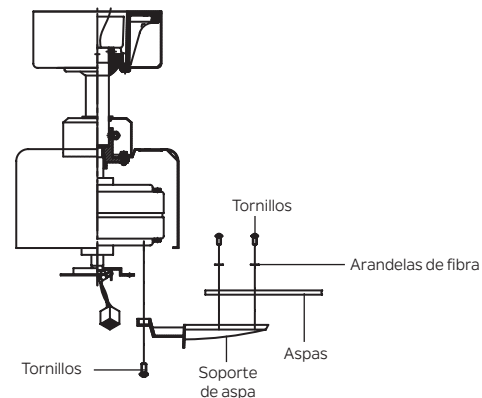


Figura 14

INSTALACIÓN DE LA PLACA DE MONTAJE

Paso 1. Afloje los dos tornillos del anillo de montaje fijado al eje del motor y “retire” y guarde el tercer tornillo. (Figura 15)

Paso 2. Coloque los orificios de la llave en la placa de montaje sobre los dos tornillos previamente aflojados del anillo de montaje, gire la placa de montaje hasta que se traben en su lugar en la sección estrecha de los orificios de la llave. Fije apretando los dos tornillos previamente aflojados y el que quitó previamente. (Figura 15)

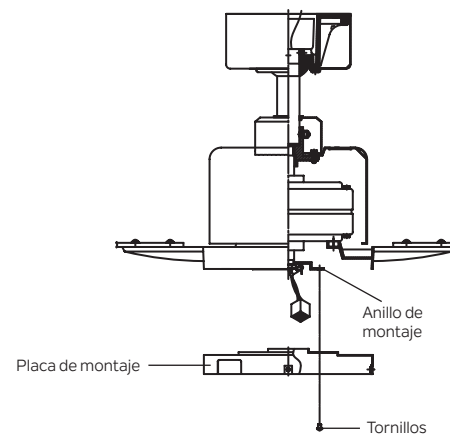


Figura 15

INSTALACIÓN DE LA CARCASA DEL INTERRUPTOR

PRECAUCIÓN: Para reducir el riesgo de descarga eléctrica, desconecte el circuito de suministro eléctrico al ventilador antes de instalar la carcasa del interruptor.

Paso 1. Mientras sostiene la carcasa del interruptor debajo del ventilador de techo, empuje los conectores de cable cuadrado juntos. Uno del ventilador y otro de la carcasa del interruptor. (Figura 16)

NOTA: Estos conectores están codificados por color y SOLO se activarán cuando los tramos de color coincidan (se alineen).

Paso 2. Empuje con cuidado todos los cables en el interior de la carcasa del interruptor.

Fije la carcasa del interruptor a la placa de montaje con los tornillos proporcionados. Asegúrese de que cada tornillo esté apretado. (Figura 16)

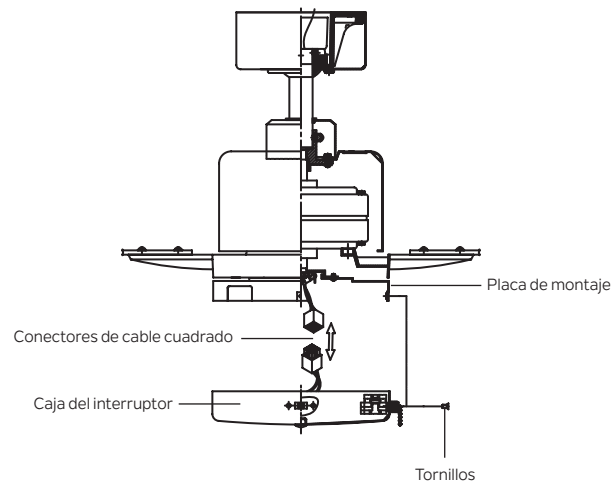


Figura 16

INSTRUCCIONES DE FUNCIONAMIENTO

Encienda la corriente y verifique el funcionamiento del ventilador de techo.

Mediante la cadena de tracción se controlan las tres velocidades del ventilador de techo.

1 tirón = alto, 2 tirones = medio, 3 tirones = bajo y el cuarto tirón apaga el motor.

Mediante el interruptor deslizable negro en el lado de la carcasa del interruptor se controla la dirección de las aspas en los modos de “avance y retroceso”.

ADVERTENCIA: No opere el interruptor de inversión mientras las aspas del ventilador estén en movimiento. El ventilador debe estar apagado y las aspas detenidas antes de invertir la dirección de las aspas.

Clima cálido: avance (sentido contrario a las agujas del reloj) Un flujo de aire hacia abajo crea un efecto refrescante como se muestra en la Figura 17. Esto le permite configurar su aire acondicionado en una temperatura más cálida sin afectar su comodidad.

Clima frío: retroceso (en el sentido de las agujas del reloj) Un flujo de aire ascendente remueve el aire caliente del techo como lo muestra la Figura 18. Esto le permite configurar su unidad de calefacción en una configuración más fría sin afectar su comodidad.

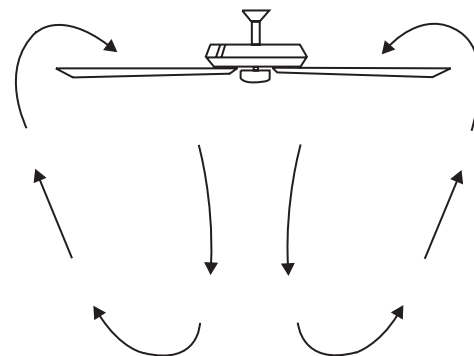


Figura 17

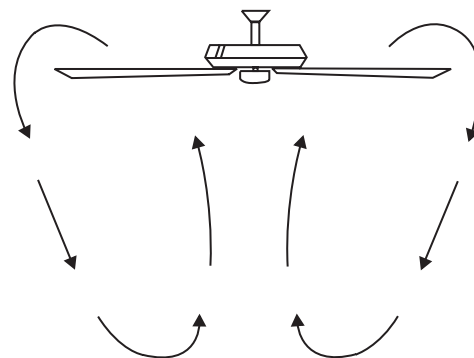


Figura 18

RESOLUCIÓN DE PROBLEMAS

Problema	Solución
El ventilador no arranca.	<ol style="list-style-type: none">1. Verifique los fusibles o disyuntores del circuito.2. Verifique todas las conexiones eléctricas para asegurar un contacto adecuado. PRECAUCIÓN: Asegúrese de que la corriente principal esté APAGADA cuando verifique cualquier conexión eléctrica.
El ventilador suena ruidoso.	<ol style="list-style-type: none">1. Asegúrese de que todos los tornillos de la carcasa del motor estén ajustados.2. Asegúrese de que los tornillos que sujetan los soportes de las aspas del ventilador al motor estén apretados.3. Asegúrese de que las conexiones de tuercas para cables no se froten entre sí ni con la pared interior de la caja del interruptor. PRECAUCIÓN: Asegúrese de que la energía principal esté apagada.4. Permita un período de “rodaje” de 24 horas. La mayor parte del ruido asociado con un ventilador nuevo desaparecerá durante este tiempo.5. Si usa un kit de luz opcional, asegúrese de que los tornillos que sujetan la cristalería estén bien apretados. Asegúrese de que las bombillas no toquen ningún otro componente.6. No conecte este ventilador a controles de velocidad variable montados en la pared. No son compatibles con motores de ventiladores de techo ni controles remotos.7. Asegúrese de que el dosel superior esté a poca distancia del techo. No debe tocar el techo.
Oscilación del ventilador.	<ol style="list-style-type: none">1. Verifique que todos los tornillos de aspa y del brazo de aspa estén firmes.2. La mayoría de los problemas de oscilación del ventilador se deben a que los niveles de las aspas no son iguales. Compruebe este nivel seleccionando un punto en el techo por encima de la punta de una de las aspas. Mida esta distancia. Gire el ventilador hasta que se coloque la siguiente aspa para medir. Repita para cada aspa. La desviación de la distancia debe ser igual dentro de 1/8".3. Si aún se nota la oscilación del aspa, intercambiar dos aspas adyacentes (una al lado de la otra) puede redistribuir el peso y posiblemente dar como resultado un funcionamiento más fluido.

KICHLER®

www.kichler.com

KICHLER® LIGHTING LLC

30455 SOLON ROAD

SOLON, OHIO 44139

SERVICIO AL CLIENTE 866.558.5706

8:00 A. M. A 5:00 P. M. EST, DE LUNES A VIERNES

28/07/2022

© Kichler Lighting LLC. Todos los derechos reservados.