

KICHLER®

48" / 54" Volos LED

Product images may vary slightly from actual product.



READ AND SAVE THESE INSTRUCTIONS

INSTRUCTION MANUAL
Model# 300032, 300154

TABLE OF CONTENTS

SAFETY RULES.....	3	FINISHING THE MOTOR INSTALLATION.....	11
TOOLS REQUIRED.....	5	INSTALLING THE MOTOR HOUSING	12
PACKAGE CONTENTS.....	5	ATTACHING THE FAN BLADES.....	13
MOUNTING OPTIONS.....	6	INSTALLING THE LED LIGHT KIT ASSEMBLY ...	13
HANGING THE MOTOR ASSEMBLY.....	7	INSTALLING THE WALL CONTROL.....	14
INSTALLATION OF SAFETY CABLE	8	OPERATING INSTRUCTION.....	15
ELECTRICAL CONNECTIONS	9	TROUBLESHOOTING.....	17
WIRE DIAGRAM	10	FCC INFORMATION	18

SAFETY RULES

1. **CAUTION – RISK OF SHOCK** – Disconnect Power at the main circuit breaker panel or main fusebox before starting and during the installation.
2. **WARNING:** All wiring must be in accordance with the National Electrical Code “ANSI/NFPA 70” and local electrical codes. Electrical installation should be performed by a qualified licensed electrician.
3. **WARNING:** To reduce the risk of electric shock, this fan must be installed with a general-use, isolating wall control/switch.
4. **WARNING:** Not suitable for use with solid-state speed controls.
5. **WARNING:** To reduce the risk of fire, electric shock, or personal injury, mount to outlet box marked “acceptable for fan support of 15.9 kg (35 lbs.) or less” and use mounting screws provided with the outlet box. Most outlet boxes commonly used for the support of light fixtures are not acceptable for fan support and may need to be replaced. Due to the complexity of the installation of this fan, a qualified licensed electrician is strongly recommended.
6. The outlet box and support structure must be securely mounted and capable of reliably supporting a minimum of 15.9 kg (35 pounds). Use only cULus Listed outlet boxes marked “Acceptable for Fan Support of 15.9 kg (35 lbs) or less”.
7. The fan must be mounted with a minimum of 2.1 m (7 feet) clearance from the trailing edge of the blades to the floor.
8. To operate the reverse function on this fan, press the reverse button while the fan is running.
9. Avoid placing objects in the path of the blades.
10. **WARNING:** make sure the power is disconnected before cleaning your fan.
11. To avoid personal injury or damage to the fan and other items, be cautious when working around or cleaning the fan.

SAFETY RULES

12. Do not use water or detergents when cleaning the fan or fan blades. A dry dust cloth or lightly dampened cloth will be suitable for most cleaning.
13. After making electrical connections, spliced conductors should be turned upward and pushed carefully up into outlet box. The wires should be spread apart with the grounded conductor and the equipment-grounding conductor on one side of the outlet box and the ungrounded conductor on the other side of the outlet box.
14. Electrical diagrams are reference only. Light kits that are not packed with the fan must be cULus Listed and marked suitable for use with the model fan you are installing. Switches must be cULus General Use Switches. Refer to the Instructions packaged with the light kits and switches for proper assembly.
15. All set screws must be checked, and retightened where necessary, before installation.

16. The subject fan weight information is as below:

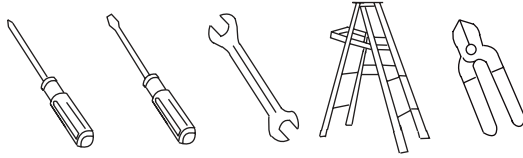
Model	Net Weight (kgs)	Gross Weight (kgs)	Net Weight (lbs)	Gross Weight (lbs)
300032	6.9	7.7	15.2	16.9
300154	7.3	8.4	16.06	18.48

WARNING

TO REDUCE THE RISK OF PERSONAL INJURY, DO NOT BEND THE BLADE DURING ASSEMBLY OR AFTER INSTALLATION. DO NOT INSERT OBJECTS IN THE PATH OF THE BLADES.

TOOLS REQUIRED

- Phillips screwdriver
- Blade screwdriver
- 11 mm wrench
- Step ladder
- Wire cutters

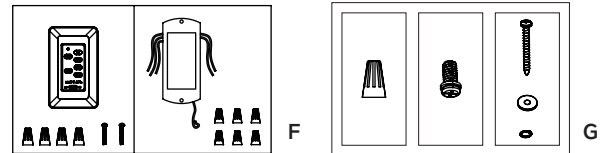
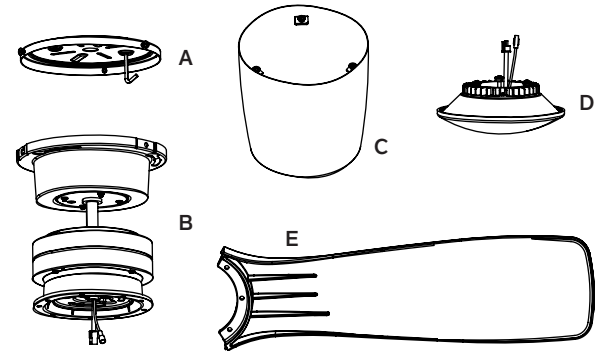


PACKAGE CONTENTS

Unpack your fan and check the contents. You should have the following items:

- A. Mounting Plate
- B. Motor Assembly
- C. Motor Housing
- D. LED Light Kit Assembly
- E. Blade (3)
- F. Wall Control System
 - Receiver (1)
 - Wire connector (6)
 - Wall Control (1)
 - Wire connector (4)
 - Screw (2)

- G. Package hardware
 - 1.) Mounting hardware:
 - Wire Connector (3)
 - 2.) Blade attachment hardware:
 - Screw (9)
 - 3.) Safety cable hardware:
 - Wood screw (1),
 - Spring washer (1)
 - Flat washer (1)



MOUNTING OPTIONS

If there isn't an existing UL (cUL for Canadian Installation) listed mounting box, then read the following instructions. Disconnect the power by removing fuses or turning off circuit breakers.

Secure the outlet box directly to the building structure. Use appropriate fasteners and building materials. The outlet box and its support must be able to fully support the full weight of the fan (up to 15.9 kg (35 pounds)). Do not use plastic outlet boxes.

Figures 1 and 2 are examples of different ways to mount the outlet box.

NOTE: Depending on the location you have selected for installation, you may need to purchase and install a "Joist Hanger" for the support of the outlet box. Make sure the joist hanger you purchase has been designed for use with ceiling fans. (Fig. 3)

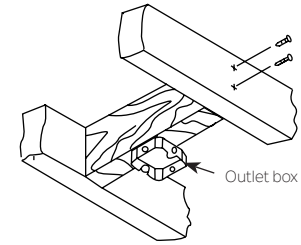


Fig. 1

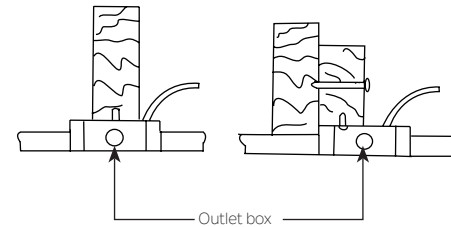


Fig. 2

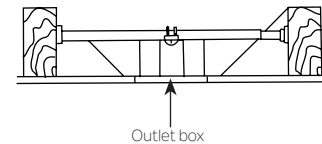


Fig. 3

HANGING THE MOTOR ASSEMBLY

REMEMBER to turn off the power before you begin installation. This is necessary for your safety and also the proper programming of the control system.

To properly install your ceiling fan, follow the steps below.

Step 1. Before attaching fan to outlet box (not included), ensure the outlet box is securely fastened to at least two points to a structural ceiling member (a loose box will cause the fan to wobble). Pass the 120 volt supply wires from the outlet box through the center of the mounting plate. Install mounting plate to outlet box in ceiling using the screws and washers included with the outlet box. (Fig. 4)

Step 2. Hook the motor assembly onto the mounting plate as shown. You can now proceed with the electrical wiring of your fan. (Fig.5)

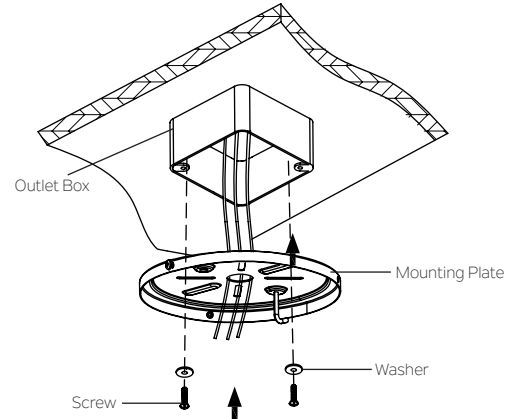


Fig. 4

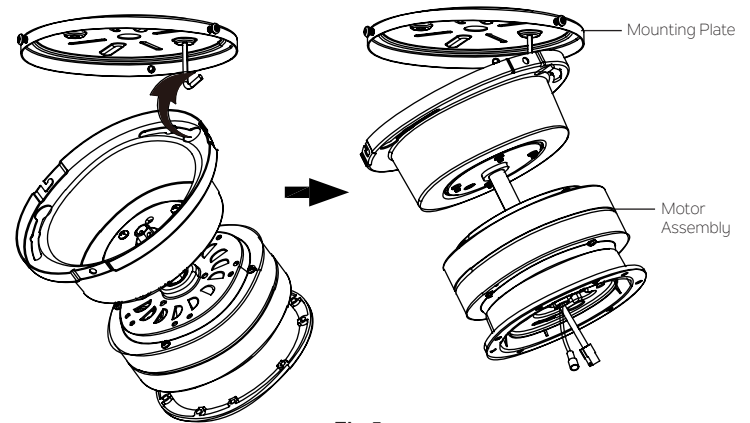


Fig.5

INSTALLATION OF SAFETY SUPPORT (required for Canadian installation ONLY)

A safety support cable is provided to help prevent the ceiling fan from falling, please install it as follows.

Step 1. Drive a wood screw and washers into the side of the brace that holds the outlet box. Leave 3mm (1/8") of space between the support brace and the washer. (Fig. 6)

Step 2. Insert the safety cable through the mounting bracket and one of the holes in the outlet box into the ceiling. Adjust the length of the safety cable to reach the screw and washers by pulling the extra cable through the cable clamp until the overall length is correct, put the end of the cable back through the cable clamp, forming a loop at the end of the cable. Tighten the cable clamp securely. Now, put the loop in the end of the safety cable over the wood screw and under the washer. Tighten the wood screw securely. (Fig.7)

NOTE: Although the safety support cable is required for Canadian installations only. It's a good idea to make the attachment with any installation.

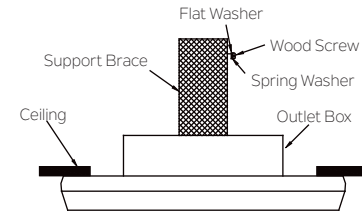


Fig. 6

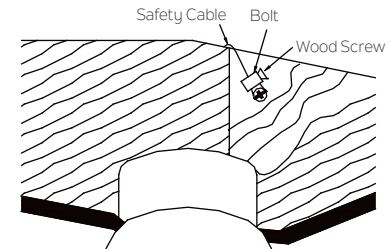


Fig. 7

ELECTRICAL CONNECTIONS

WARNING: To avoid possible electrical shock, be sure you have turned off the power at the main circuit panel before wiring.

Follow the steps below to connect the fan to your household wiring. Use the wire connectors supplied with your fan. Secure the connector with electrical tape. Make sure there are no loose wire stands or connections.

WARNING: If your house wires are different colors than referenced in this manual, stop immediately. A professional electrician is recommended to determine proper wiring.

Step 1. Place the receiver into the mounting plate cover and keep flat in opposition of ceiling. (Fig. 8)

Step 2. Motor to Receiver Electrical Connections:

Connect the WHITE wire from the fan to WHITE wire marked "TO MOTOR N" from the receiver. Connect the BLACK wire from the fan to BLACK wire marked "TO MOTOR L" from the receiver. Connect the BLUE wire from the fan to BLUE wire marked "FOR LIGHT" from the receiver.

Step 3. Receiver to Household Electrical Connections:

Connect the WHITE wire marked "AC IN N" from the receiver to the WHITE wire from the house. Connect the BLACK wire marked "AC IN L" from the receiver to the BLACK wire marked "TO MOTOR L" from the wall control.

Connect the BLACK wire marked "AC IN L" from the wall control to the BLACK wire from the house.

Step 4. Ground wires connections:

Connect the GROUND wire from the house to the GREEN wires from the motor assembly and mounting plate.

Step 5. Secure all wires connections with the plastic wire connectors provided. (Fig. 9)

NOTE: After connecting the wires, spread them apart so that the green and white wires are on one side of the outlet box and black and blue wire and on the other side. Carefully tuck the wire connections up into the outlet box.

NOTE: Fan must be installed at a maximum distance of 30 feet from the transmitting unit for proper signal transmission between the transmitting unit and the fan's receiving unit.

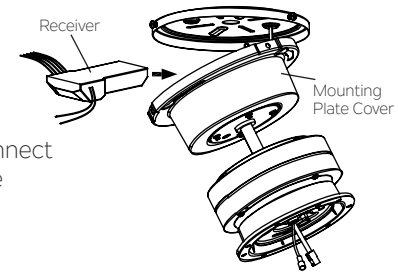
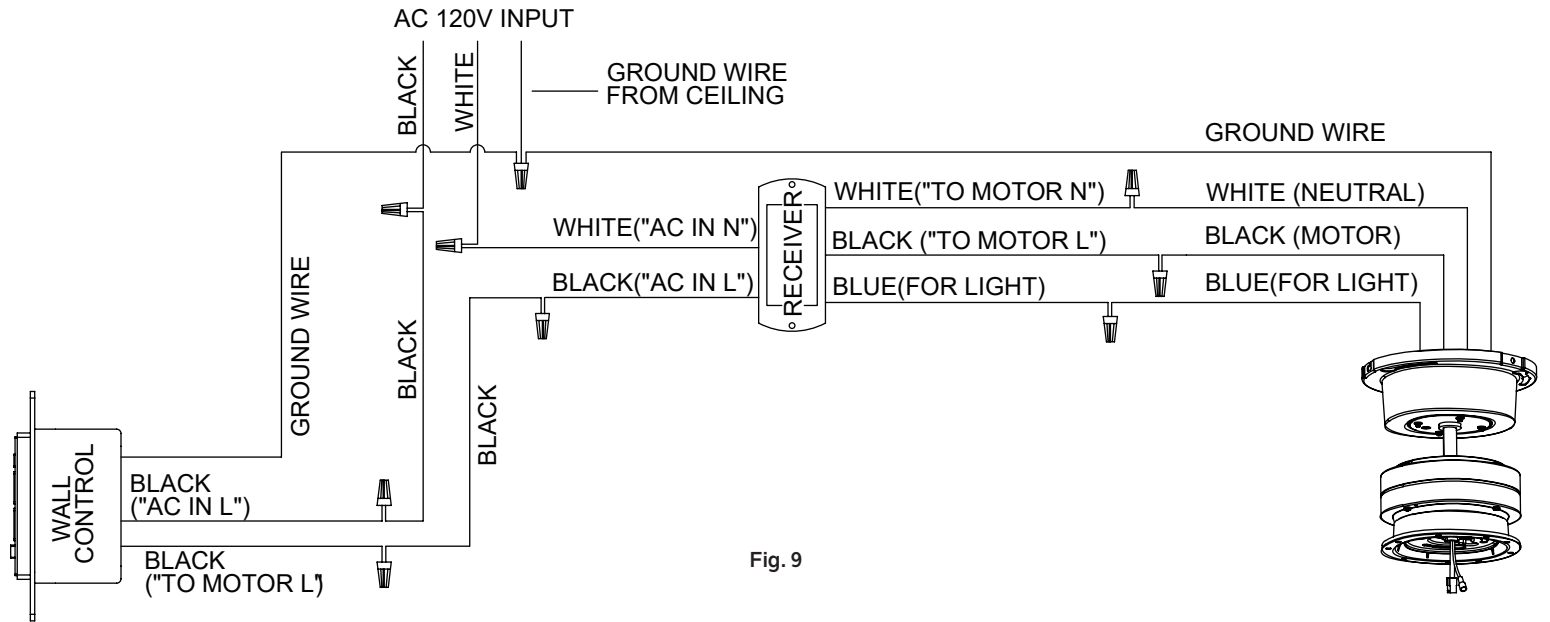


Fig. 8

WIRE DIAGRAM



FINISHING THE MOTOR INSTALLATION

CAUTION: Before continuing, make sure the power is disconnected by turning off the circuit breaker or removing the fuse at the circuit box.

Step 1. Remove one of the three screws from the mounting plate and keep for later use. Loosen the other two (do not remove). (Fig.10)

Step 2. Release the motor assembly from the J hook, raise the motor assembly up to the mounting plate, align the slot holes on the mounting plate cover with two loosened screws on the mounting plate. Rotate the mounting plate cover until two loosened screws lock in place at the narrow end of key holes. Re-install the screw removed on step 1, tighten three screws securely. (Fig. 11)

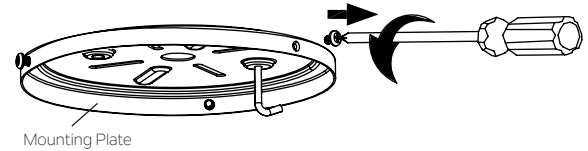


Fig. 10

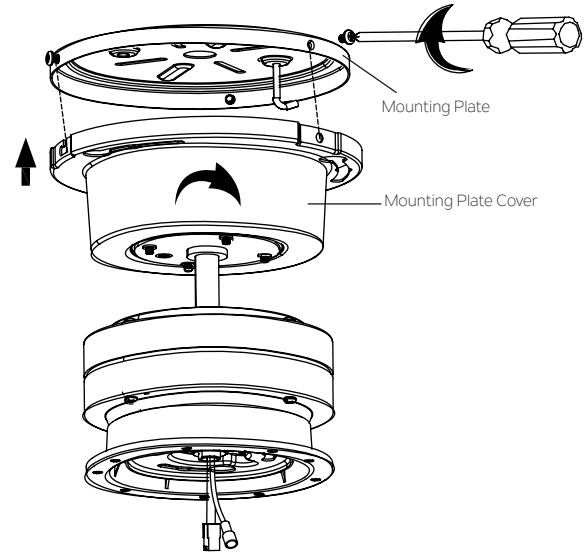


Fig. 11

INSTALLING THE MOTOR HOUSING

Step 1. Place motor housing up to the mounting plate cover, attach three hang tags with screws on the motor housing to the key holes on the mounting plate cover. (Fig. 12a)

Step 2. Twist the motor housing clockwise until three screws lock at the end of the slotted holes. (Fig. 12b)

WARNING: Ensure you complete above steps correctly and follow all steps. Failure to do that might cause the fan to fall.

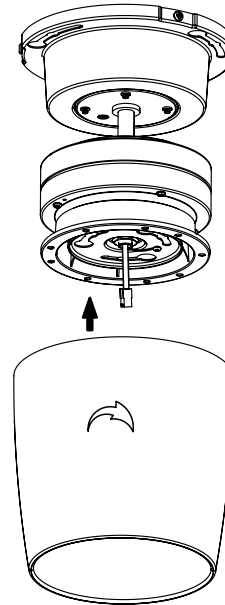


Fig. 12a

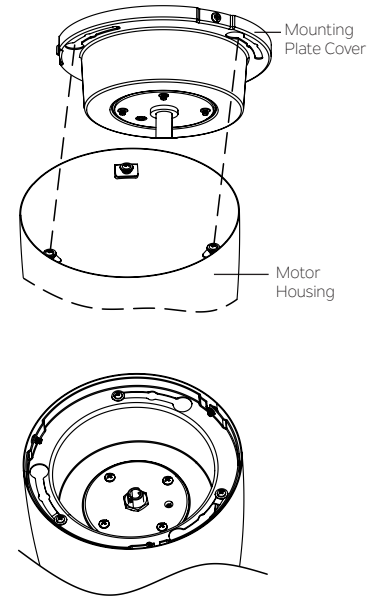


Fig. 12b

ATTACHING THE FAN BLADES

CAUTION: To Reduce The Risk Of Electric Shock, Disconnect The Electrical Supply Circuit To The Fan Before Installing Fan Blades.

Step 1. Attach the fan blades to the flywheel using the blade screws and tighten them securely. (Fig.13)

INSTALLING THE LED LIGHT KIT ASSEMBLY

CAUTION: Before continuing installation, confirm that the power is still turned off at the main circuit breaker or by removing the circuit fuse. Turning the power off using a wall switch is not sufficient to prevent electrical shock.

Step 1. Hold the LED light kit assembly close the motor and connect the pin connectors together. (Fig. 14)

NOTE: The connectors have keyholes that must be mated correctly before they can be engaged.

Step 2. Tuck the connections neatly into the LED light kit assembly, raise the LED light kit assembly up to the motor, align the red dot labels, and twist screws on top of LED light kit toward the narrow end of the slotted holes on the motor as shown. Make sure all screws lock in place and LED light kit no longer turns. (Fig. 14)

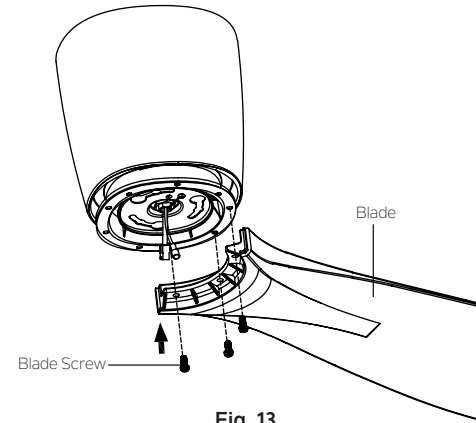


Fig. 13

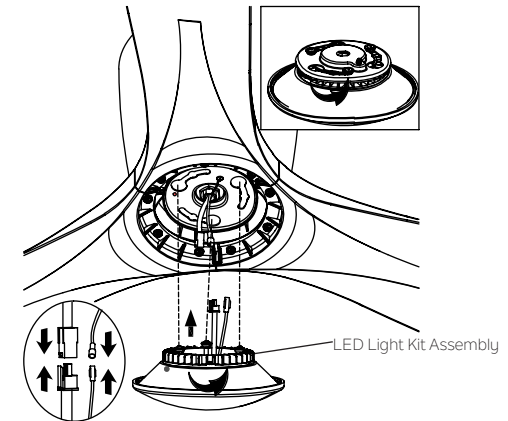


Fig. 14

INSTALLING THE WALL CONTROL

WARNING: All wiring must be in accordance with the National Electrical Code and local electrical codes. Electrical installation should be performed by a qualified licensed electrician.

NOTE: SWITCH INSTALLATION MUST COMPLY WITH ALL LOCAL AND NATIONAL ELECTRIC CODE.

WARNING: Shut off main power at the circuit breaker or fuse panel before continuing.

Step 1. Remove the existing wall plate and the old switch from the wall outlet box. Disconnect wires. (Fig. 15)

Step 2. Place the wall control to the outlet box, connect the wires with wire connectors provided. (Fig. 16)

*Connect the lead wire (HOT) from the outlet box to BLACK wire marked "AC IN L" from wall control.

*Connect the lead wire (LOAD) from the outlet box to BLACK wire marked "TO MOTOR L" from wall control.

*Connect the GROUND from the outlet box to GROUND from wall control.

Step 3. Secure the wires connectors and make sure there are no loose strands or connections. Carefully tuck wire connections back inside outlet box and secure the wall control to outlet box with screws provided. Snug the face plate to wall control.

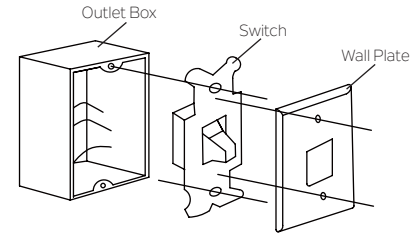


Fig. 15

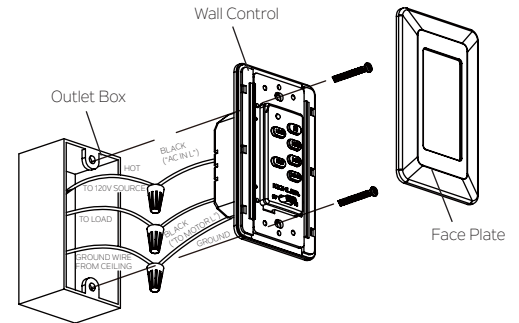


Fig. 16

OPERATING INSTRUCTION

ACTIVATING THE LEARNING PROCESS

NOTE: The control system for this fan is equipped with a learning frequency function which has 56K code combinations to prevent potential interference from other remote units. The frequency on your receiver and wall control units has been preset at the factory. No frequency change is necessary. If the fan is non-functional or if you desire to install another fan within the same area with a separate frequency code, refer to “learning process” section of this instruction manual to code-pairing the receiver and wall control.

1. Use a small flat screw driver and gently pry the faceplate apart from the top of wall control. (Fig. 17)
2. After installation is complete, press and hold the LEARN button for 3 seconds within 30 seconds after AC power is turned on. Fan will turn on at medium speed and light (if installed) will turn on. This confirms that the SMART SYNC setting is active and OK.
3. If you cannot finish the setting within the 30 seconds time frame, the main power must be turned off and re-started again. This will repeat step 1 until the LEARN feature is activated as indicated.

LIGHT FUNCTION SELECT SWITCH(Fig. 18)

D means “Dimmer”

O means “only on/off, no dimmer”

The light of this fan is dimmable, it has been set to “D” position at factory. If you want the light to be only ON/OFF, slide the switch to “O” position.

WALL CONTROL OPERATION(Fig. 18)

ON/OFF: Active and lock the wall control

HI : High speed

MED: Medium speed

LOW: Low speed

FAN OFF: Turn off the fan

LIGHT: Turn light ON or OFF. Press and hold the button to set desired brightness.

REV: Control direction, forward or reverse.

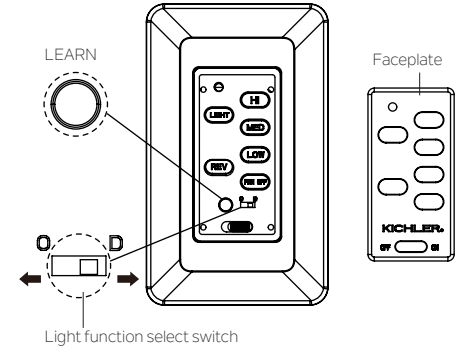


Fig. 17

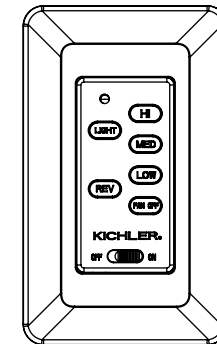


Fig. 18

REVERSE FUNCTION

NOTE: To operate the reverse function on this fan, press the reverse button while the fan is running.

Warm Weather Operation: Forward (counter clockwise). A downward airflow creates a cooling effect (Fig. 19). This allows you to set your air conditioner on a warmer setting without affecting your general comfort.

Cool Weather Operation: Reverse (clockwise). An upward airflow moves warm air off the ceiling areas (Fig. 20). This allows you to set your heating unit on a cooler setting without affecting your general comfort.

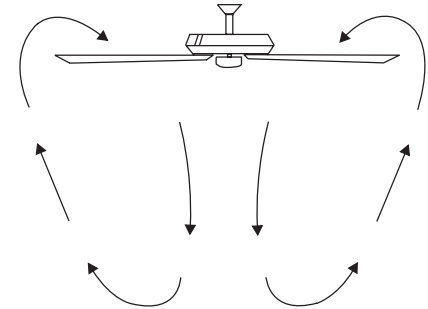


Fig.19

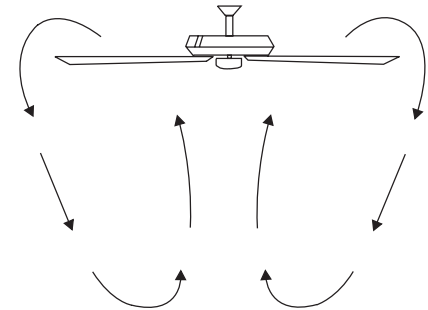


Fig. 20

TROUBLESHOOTING

Problem	Solution
Fan will not start.	<ol style="list-style-type: none">1. Check circuit fuses or breakers.2. Check all electrical connections to ensure proper contact. CAUTION: Make sure the main power is OFF when checking any electrical connection.
Fan sounds noisy.	<ol style="list-style-type: none">1. Make sure all motor housing screws are snug.2. Make sure the screws that attach the fan blade brackets to the motor are tight.3. Make sure wire nut connections are not rubbing against each other or the interior wall of the switch housing. CAUTION: Make sure main power is off.4. Allow a 24-hour "breaking-in" period. Most noise associated with a new fan disappears during this time.5. If using an optional light kit, make sure the screws securing the glassware are tight. Make sure the light bulbs are not touching any other component.6. Do not connect this fan to a wall mounted variable speed control(s). They are not compatible with ceiling fan motors or remote controls.7. Make sure the upper canopy has a short distance from the ceiling. It should not touch the ceiling.
Fan wobble.	<ol style="list-style-type: none">1. Check that all blade and blade arm screws are secure.2. Most fan wobbling problems are caused when blade levels are unequal. Check this level by selecting a point on the ceiling above the tip of one of the blades. Measure this distance. Rotate the fan until the next blade is positioned for measurement. Repeat for each blade. The distance deviation should be equal within 1/8".3. If the blade wobble is still noticeable, interchanging two adjacent (side by side) blades can redistribute the weight and possibly result in smoother operation.
Remote control malfunction.	<ol style="list-style-type: none">1. Ceiling Fans with remote control systems CAN NOT be operated in conjunction with any other control system EXCEPT a basic On/off wall switch, if desired.

FCC Information

This device complies with part 15 of the FCC Rules. Operation is subject to the following two conditions:

- 1.) This device may not cause harmful interference, and
- 2.) This device must accept any interference received, including interference that may cause undesired operation.

Note: This equipment has been tested and found to comply with the limits for a Class B digital device, pursuant to part 15 of the FCC Rules. These limits are designed to provide reasonable protection against harmful interference in a residential installation. This equipment generates, uses and can radiate radio frequency energy and, if not installed and used in accordance with the instructions, may cause harmful interference to radio communications. However, there is no guarantee that interference will not occur in a particular installation. If this equipment does cause harmful interference to radio or television reception, which can be determined by turning the equipment off and on, the user is encouraged to try to correct the interference by one or more of the following measures:

- Reorient or relocate the receiving antenna.
- Increase the separation between the equipment and receiver.
- Connect the equipment into an outlet on a circuit different from that to which the receiver is connected.
- Consult the dealer or an experienced radio/TV technician or help.

KICHLER®

www.kichler.com

KICHLER LIGHTING LLC

30455 Solon Rd.

Solon, OH 44139 USA

CUSTOMER SERVICE 866.558.5706

8:00 AM TO 5:00 PM EST, MONDAY - FRIDAY

2022/7/27

© Kichler Lighting LLC. All Rights Reserved.

KICHLER®

DEL Volos de 48 po / 54 po

Les images du produit peuvent varier légèrement par rapport au produit réel.



LIRE ET CONSERVER CES INSTRUCTIONS

MANUEL D'INSTRUCTIONS
N° de modèle :300032, 300154

TABLE DES MATIÈRES

RÈGLES DE SÉCURITÉ	3	INSTALLATION DU BOÎTIER DU MOTEUR.....	12
OUTILS NÉCESSAIRES	5	FIXATION DES PALES DU VENTILATEUR	13
CONTENU DU COLIS.....	5	INSTALLER L'ENSEMBLE DU KIT D'ÉCLAIRAGE À DEL	13
OPTIONS DE MONTAGE	6	INSTALLATION DE LA COMMANDE MURALE.....	14
SUSPENSION DE L'ENSEMBLE MOTEUR	7	INSTRUCTIONS D'UTILISATION	15
INSTALLATION DU CÂBLE DE SÉCURITÉ.....	8	DÉPANNAGE	17
RACCORDEMENTS ÉLECTRIQUES	9	INFORMATION FCC	18
SCHÉMA DES CÂBLES	10		
FINITION DE L'INSTALLATION DU MOTEUR.....	11		

CONSIGNES DE SÉCURITÉ

1. **MISE EN GARDE/ATTENTION - RISQUE DE CHOCS ÉLECTRIQUES** - Couper l'alimentation au niveau du panneau du disjoncteur principal ou de la boîte à fusibles principale avant de procéder à l'installation mais également pendant l'installation.
2. **AVERTISSEMENT** : Le câblage doit être installé conformément au code national d'électricité américain (NEC) "ANSI/NFPA 70" et aux codex d'électricité locaux en vigueur. Les travaux d'électricité doivent être exécutés par un électricien agréé qualifié.
3. **AVERTISSEMENT** : Pour réduire le risque de chocs électriques, ce ventilateur doit être installé avec un interrupteur/une commande d'isolement murale à utilisation générale.
4. **AVERTISSEMENT** : N'est pas adapté à une utilisation avec des commandes de vitesse à semi-conducteur.
5. **AVERTISSEMENT** : Pour réduire le risque d'incendie, de choc électrique ou de blessure, installer uniquement sur une boîte marquée "acceptable pour le support des ventilateurs de 15,9 kg (35 lb) ou moins" et utiliser les vis de montage fournies avec la boîte à prises. La plupart des boîtes à prises utilisées actuellement pour supporter les luminaires ne sont pas capable de supporter un ventilateur et leur remplacement peut s'avérer nécessaire. En raison de la complexité de l'installation de ce ventilateur, il est fortement recommandé de confier la tâche à un électricien qualifié.
6. La boîte à prises et la structure de support doivent être solidement fixées et capables de supporter de manière fiable un poids minimum de 15,9 kg (35 lb). Utilisez uniquement des boîtes de sortie homologuées cULus portant la mention « Acceptable pour un support de ventilateur de 15,9 kg (35 lb) ou moins ».
7. Le ventilateur doit être installé à une distance de 2,1 m minimum du bord de fuite des pales par rapport au sol.
8. Pour utiliser la fonction de marche arrière de ce ventilateur, appuyez sur le bouton de marche arrière pendant que le ventilateur est en marche.
9. Éviter de placer des objets dans la trajectoire des pales.

CONSIGNES DE SÉCURITÉ

10. **AVERTISSEMENT** : S'assurer que l'alimentation est coupée avant de nettoyer votre ventilateur.
11. Pour éviter toute blessure ou d'endommager le ventilateur et autres objets, prendre toutes les précautions nécessaires lors de travaux effectués près du ventilateur ou lors du nettoyage du ventilateur.
12. Ne pas utiliser d'eau ni de détergents pour nettoyer le ventilateur ou les pales du ventilateur. Utiliser un chiffon à poussière sec ou légèrement imbibé pour effectuer la majeure partie du nettoyage.
13. Après avoir effectué les connexions électriques, les conducteurs épissés doivent être tournés vers le haut et soigneusement rentrés dans la boîte à prises. Les fils doivent être séparés avec le conducteur de mise à la terre et celui de mise à la terre d'équipement situé sur un côté de la boîte à prises et le conducteur non mis à la terre sur l'autre côté de la boîte à prises.
14. Les schémas électriques sont indiqués à titre de référence uniquement. Les kits d'éclairage qui ne sont pas emballés avec le ventilateur doivent être homologués cULus et marqués compatible pour une

utilisation avec le modèle de ventilateur à installer. Les commutateurs doivent être pour une utilisation d'ordre général homologués cULus. Reportez-vous aux instructions fournies avec les kits d'éclairage et les commutateurs pour garantir un assemblage correct.

15. Toutes les vis de réglage doivent être vérifiées et resserrées si nécessaire avant l'installation.
16. Les informations sur le poids du ventilateur concerné sont les suivantes :

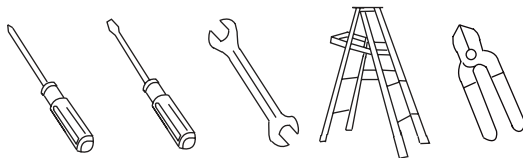
Numéro de modèle	Poids net (PN) (kg)	Pois brut (PB) (kg)	Poids net (PN) (lb)	Poids brut (PB) (lb)
300032	6.9	7.7	15.2	16.9
300154	7.3	8.4	16.06	18.48

AVERTISSEMENT

POUR REDUIRE LE RISQUE DE BLESSURES, NE PAS PLIER LES PALES LORS DU MONTAGE OU APRÈS L'INSTALLATION. NE PAS PLACER D'OBJETS DANS LA TRAJECTOIRE DES PALES.

OUTILS NÉCESSAIRES

- Tournevis cruciforme
- Tournevis à lame
- Clé de 11 mm
- Escabeau
- Pincés coupantes

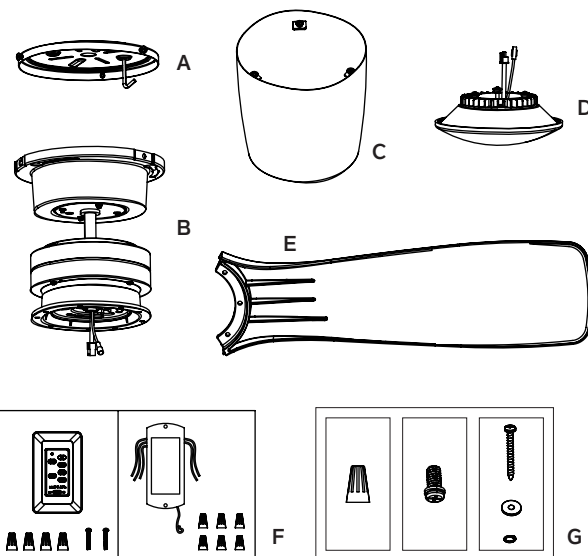


CONTENU DU COLIS

Déballez votre ventilateur et vérifiez le contenu. Vous devriez avoir les éléments suivants :

- A. Plaque de montage
- B. Ensemble de moteur
- C. Boîtier du moteur
- D. Ensemble du kit d'éclairage à DEL
- E. Lame (3)
- F. Système de contrôle mural
 - Récepteur (1)
 - Connecteur de fil (6)
 - Commande murale (1)
 - Connecteur de fil (4)
 - Vis (2)

- G. Matériel d'emballage
 - 1.) Matériel de montage :
 - Connecteur de fil (3)
 - 2.) Matériel de fixation de pale :
 - Vis (9)
 - 3.) Matériel du câble de sécurité :
 - Vis à bois (1)
 - Rondelle à ressort (1)
 - Rondelle plate (1)



OPTIONS DE MONTAGE

S'il n'y a pas de boîtier de montage homologué UL (cUL pour installation canadienne), lisez les instructions suivantes. Débranchez l'alimentation en retirant les fusibles ou en désactivant les disjoncteurs.

Fixez le boîtier de sortie directement à la structure du bâtiment. Utilisez des fixations et des matériaux de construction appropriés. Le boîtier de sortie et son support doivent pouvoir supporter entièrement le poids total du ventilateur (jusqu'à 15,9 kg (35 lb)). N'utilisez pas de boîtiers de sortie en plastique.

Les figures 1 et 2 sont des exemples des différentes manières de monter le boîtier de sortie.

REMARQUE : Selon l'endroit que vous avez choisi pour l'installation, vous devrez peut-être acheter et installer une « suspenste de solive » pour soutenir le boîtier de sortie. Assurez-vous que la suspenste de solive que vous achetez a été conçu pour être utilisé avec des ventilateurs de plafond. (Fig. 3)

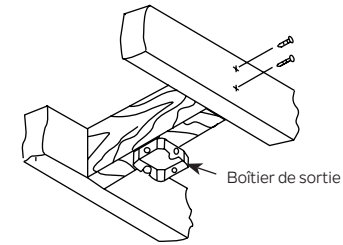


Fig. 1

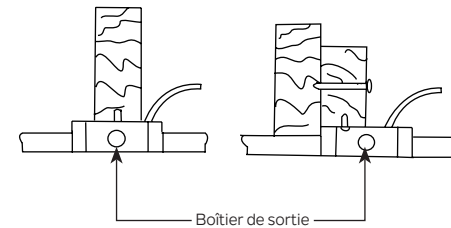


Fig. 2

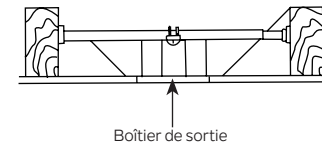


Fig. 3

SUSPENSION DE L'ENSEMBLE MOTEUR

RAPPELEZ-VOUS de couper l'alimentation avant de commencer l'installation. Ceci est nécessaire pour votre sécurité et également pour la bonne programmation du système de commande.

Pour installer correctement votre ventilateur de plafond, suivez les étapes ci-dessous.

Étape 1. Avant de fixer le ventilateur au boîtier de sortie (non incluse), assurez-vous que le boîtier de sortie est solidement fixé à au moins deux points à un élément du plafond structurel (un boîtier desserré fera vaciller le ventilateur). Faites passer les fils d'alimentation de 120 volts du boîtier de sortie par le centre de la plaque de montage. Installez la plaque de montage sur le boîtier de sortie au plafond à l'aide des vis et rondelles fournies avec le boîtier de sortie. (Fig. 4)

Étape 2. Accrochez l'ensemble du moteur sur la plaque de montage comme illustré. Vous pouvez maintenant procéder au câblage électrique de votre ventilateur. (Fig. 5)

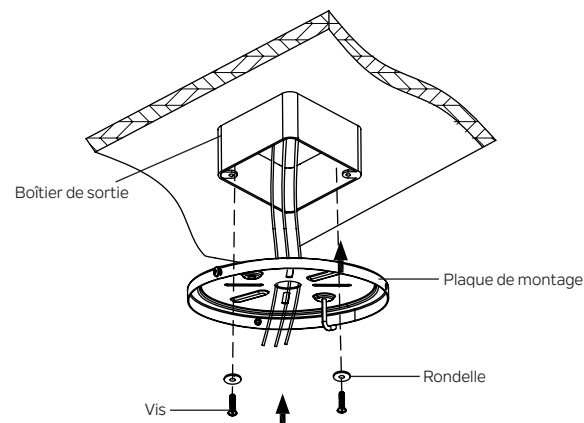


Fig. 4

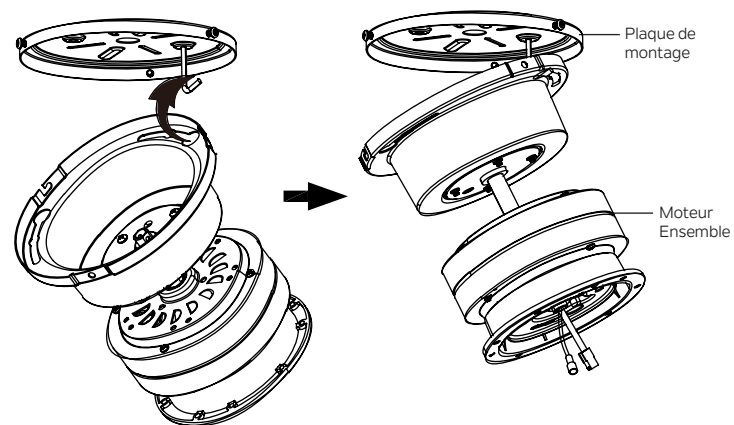


Fig. 5

INSTALLATION DU SUPPORT DE SÉCURITÉ (requis pour l'installation canadienne UNIQUEMENT)

Un câble de support de sécurité est fourni pour aider à empêcher le ventilateur de plafond de tomber, veuillez l'installer comme suit.

Étape 1. Enfoncez une vis à bois et des rondelles dans le côté de l'entretoise qui maintient le boîtier de sortie. Laissez 3 mm (1/8 po) d'espace entre le renfort de support et la rondelle. (Fig. 6)

Étape 2. Insérez le câble de sécurité à travers le support de montage et l'un des trous du boîtier de sortie dans le plafond. Ajustez la longueur du câble de sécurité pour atteindre la vis et les rondelles en tirant le câble supplémentaire à travers le serre-câble jusqu'à ce que la longueur totale soit correcte, remettez l'extrémité du câble à travers le serre-câble, formant une boucle à l'extrémité du câble. Serrez fermement le serre-câble. Maintenant, placez la boucle à l'extrémité du câble de sécurité sur la vis à bois et sous la rondelle. Serrez fermement la vis à bois. (Fig. 7)

REMARQUE : Bien que le câble de support de sécurité ne soit requis que pour les installations canadiennes. C'est une bonne idée de faire la fixation avec n'importe quelle installation.

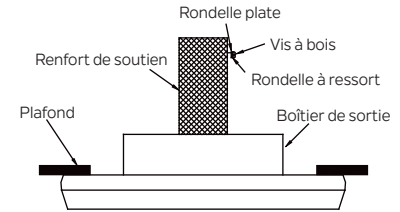


Fig. 6

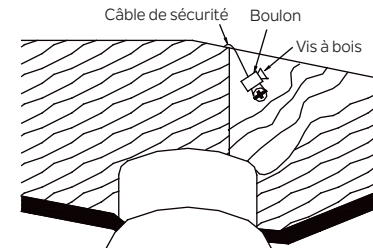


Fig. 7

RACCORDEMENTS ÉLECTRIQUES

AVERTISSEMENT : Pour éviter tout risque d'électrocution, assurez-vous d'avoir coupé l'alimentation au panneau de circuit principal avant de procéder au câblage.

Suivez les étapes ci-dessous pour raccorder le ventilateur à votre câblage domestique. Utilisez les connecteurs de fils fournis avec votre ventilateur.

Fixez le connecteur avec du ruban isolant. Assurez-vous qu'il n'y a pas de supports de câbles ou de raccordements desserrés.

AVERTISSEMENT : Si les fils de votre maison sont de couleurs différentes de celles indiquées dans ce manuel, arrêtez immédiatement.

Un électricien professionnel est recommandé pour déterminer le câblage approprié.

Étape 1. Placez le récepteur dans la plaque de montage et maintenez-le à plat face au plafond. (Fig. 8)

Étape 2. Raccordements électriques du moteur au récepteur :

Raccordez le fil BLANC du ventilateur au fil BLANC marqué « VERS MOTEUR N » du récepteur.

Raccordez le fil NOIR du ventilateur au fil NOIR marqué « VERS MOTEUR L » du récepteur.

Raccordez le fil BLEU du ventilateur au fil BLEU marqué « POUR LA LUMIÈRE » du récepteur.

Étape 3. Connexions électriques du récepteur au foyer :

Raccordez le fil BLANC marqué « AC DANS N » du récepteur au fil BLANC du domicile.

Raccordez le fil NOIR marqué « AC DANS L » au récepteur du fil NOIR marqué « VERS MOTEUR L » du contrôle mural.

Raccordez le fil NOIR marqué « AC DANS L » du contrôle mural au fil NOIR du domicile.

Étape 4. Connexions des fils de terre :

Connectez le fil de TERRE de la maison aux fils VERTS de l'ensemble de moteur et de la plaque de montage.

Étape 5. Fixez tous les raccords de fils avec les connecteurs de fils en plastique fournis. (Fig. 9)

REMARQUE : Après avoir raccordé les fils, écartez-les de manière à ce que les fils vert et blanc soient d'un côté du boîtier de sortie et que les fils noirs et bleus soient de l'autre côté. Rentrez soigneusement les raccordements des fils dans le boîtier de sortie.

REMARQUE : Le ventilateur doit être installé à une distance maximale de 30 pieds de l'unité de transmission pour une transmission correcte du signal entre l'unité de transmission et l'unité de réception du ventilateur.

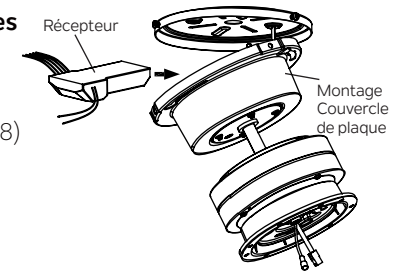


Fig. 8

SCHÉMA DES CÂBLES

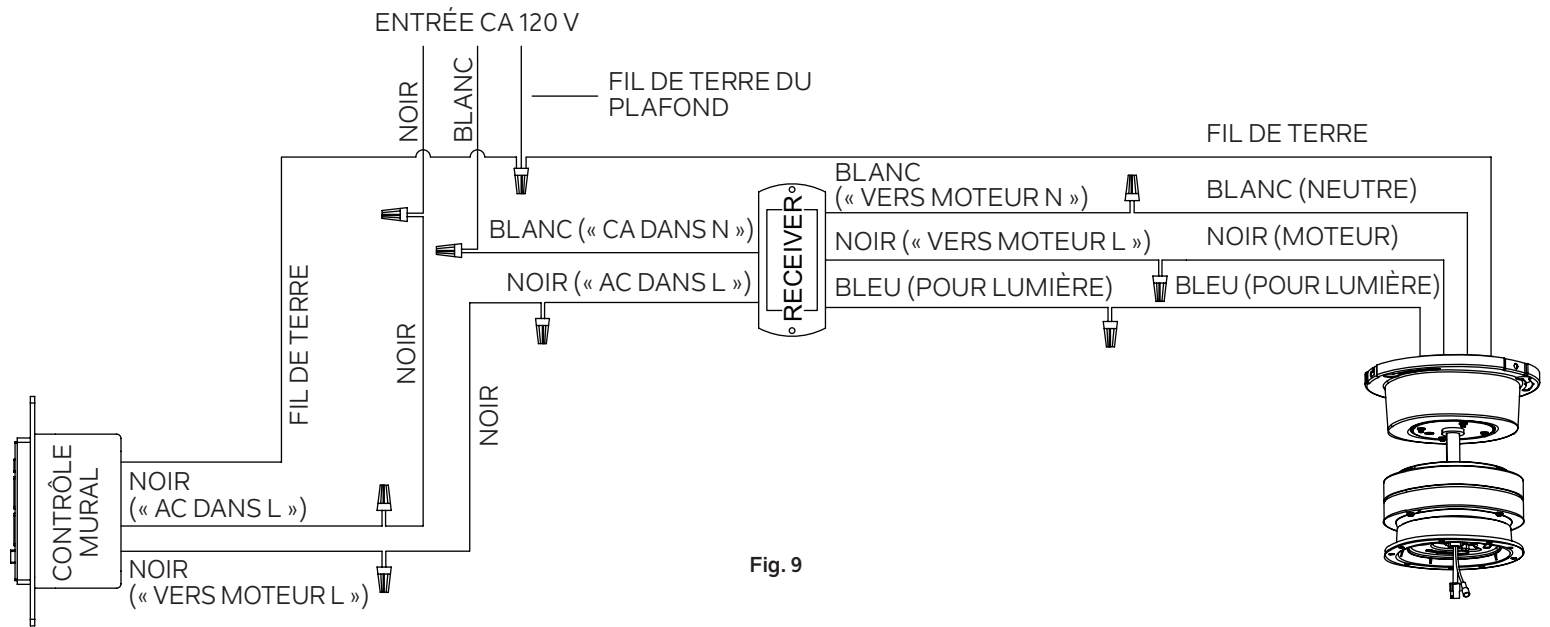


Fig. 9

FINITION DE L'INSTALLATION DU MOTEUR

ATTENTION: Avant de continuer, assurez-vous que l'alimentation est coupée en désactivant le disjoncteur ou en retirant le fusible du boîtier de circuit.

Étape 1. Retirez l'une des trois vis de la plaque de montage et conservez-la pour une utilisation ultérieure. Desserrez les deux autres (ne les retirez pas). (Fig. 10)

Étape 2. Dégagez l'ensemble moteur du crochet en J, soulevez l'ensemble moteur jusqu'à la plaque de montage, alignez les trous de fente sur le couvercle de la plaque de montage avec deux vis desserrées sur la plaque de montage. Faites pivoter le couvercle de la plaque de montage jusqu'à ce que deux vis desserrées se verrouillent en place à l'extrémité étroite des trous de serrure. Réinstallez la vis retirée à l'étape 1, serrez fermement les trois vis. (Fig. 11)

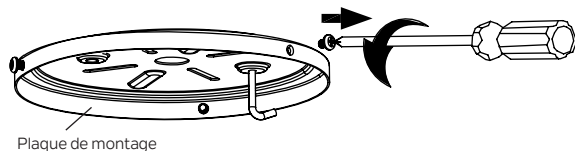


Fig. 10

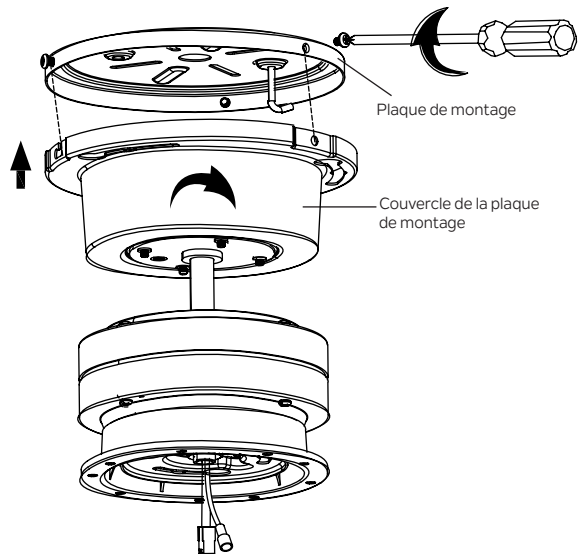


Fig. 11

INSTALLATION DU BOÎTIER DU MOTEUR

Étape 1. Placez le boîtier du moteur jusqu'au couvercle de la plaque de montage, fixez trois étiquettes volantes avec des vis sur le boîtier du moteur aux trous de serrure sur le couvercle de la plaque de montage. (Fig. 12a)

Étape 2. Tournez le boîtier du moteur dans le sens des aiguilles d'une montre jusqu'à ce que trois vis se verrouillent à l'extrémité des trous oblongs. (Fig. 12b)

AVERTISSEMENT : Assurez-vous de terminer correctement les étapes ci-dessus et de suivre toutes les étapes. Si vous ne le faites pas, le ventilateur pourrait tomber.

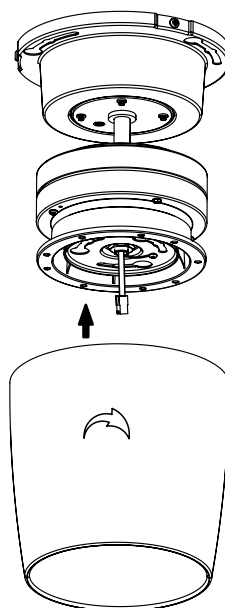


Fig. 12a

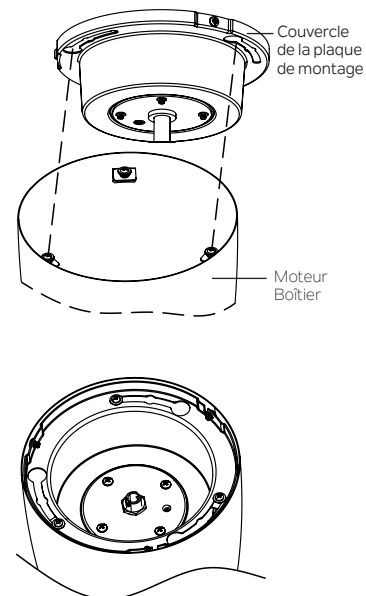


Fig. 12b

FIXATION DES PALES DU VENTILATEUR

ATTENTION : Pour réduire le risque de choc électrique, débranchez le circuit d'alimentation électrique du ventilateur avant d'installer les pales du ventilateur.

Étape 1. Fixez les pales du ventilateur au volant à l'aide des vis des pales et serrez-les fermement. (Fig.13)

INSTALLER L'ENSEMBLE DU KIT D'ÉCLAIRAGE À DEL

ATTENTION : Avant de poursuivre l'installation, vérifiez que l'alimentation est toujours coupée au niveau du disjoncteur principal ou en retirant le fusible du circuit. La mise hors tension à l'aide d'un interrupteur mural ne suffit pas pour éviter les électrocutions.

Étape 1. Maintenez l'ensemble du kit d'éclairage à DEL près du moteur et connectez les connecteurs à broches ensemble. (Fig. 14)

REMARQUE : Les connecteurs ont des trous de serrure qui doivent être correctement accouplés avant de pouvoir être engagés.

Étape 2. Rangez soigneusement les connexions dans l'ensemble du kit d'éclairage à DEL, soulevez l'ensemble du kit d'éclairage à DEL jusqu'au moteur, alignez les étiquettes avec le point rouge, et tournez les vis situées en haut du kit d'éclairage à DEL dans la direction de l'extrémité étroite des trous oblongs situés sur le moteur (voir illustration). Assurez-vous que toutes les vis sont bien serrées et que le kit d'éclairage à DEL ne tourne plus (Fig. 14).

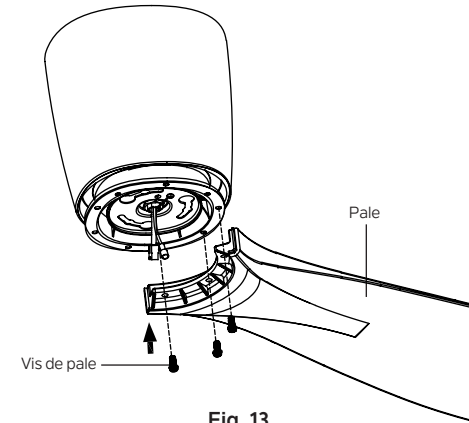


Fig. 13

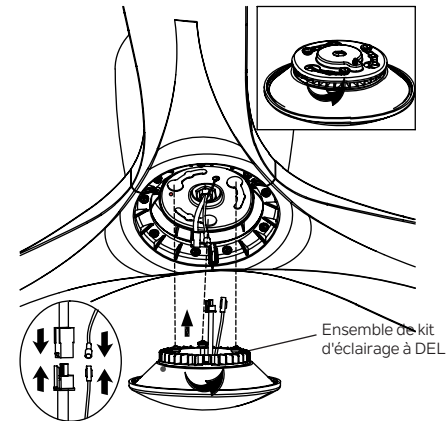


Fig. 14

INSTALLATION DE LA COMMANDE MURALE

AVERTISSEMENT : Tout le câblage doit être conforme au National Electrical Code et aux codes électriques locaux. L'installation électrique doit être effectuée par un électricien qualifié et agréé.

REMARQUE : L'INSTALLATION DE L'INTERRUPTEUR DOIT ÊTRE CONFORME À TOUS LES CODES ÉLECTRIQUES LOCAUX ET NATIONAL.

AVERTISSEMENT : Coupez l'alimentation principale au disjoncteur ou au panneau de fusibles avant de continuer.

Étape 1. Retirez la plaque murale existante et l'ancien interrupteur de la boîte de prise murale. Débranchez les fils. (Fig. 15)

Étape 2. Placez le contrôle mural sur la boîte de sortie, connectez les fils avec les connecteurs de fil fournis. (Fig. 16)

*Connectez le fil conducteur (CHAUD) de la boîte de sortie au fil NOIR marqué « AC DANS L » du contrôle mural.

*Connectez le fil conducteur (CHARGE) de la boîte de sortie au fil NOIR marqué « VERS MOTEUR L » du contrôle mural.

*Connectez la MISE À LA TERRE de la boîte de sortie à la MISE À LA TERRE du contrôle mural.

Étape 3. Fixez les connecteurs des fils et assurez-vous qu'il n'y a pas de brins ou de connexions lâches. Remettez soigneusement les connexions des fils à l'intérieur de la boîte de sortie et fixez la commande murale à la boîte de sortie avec les vis fournies. Fixez la plaque frontale à la commande murale.

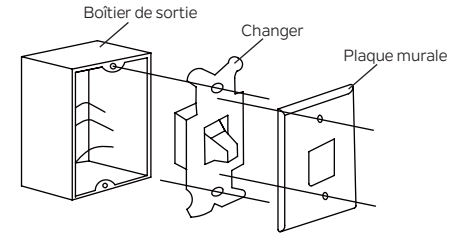


Fig. 15

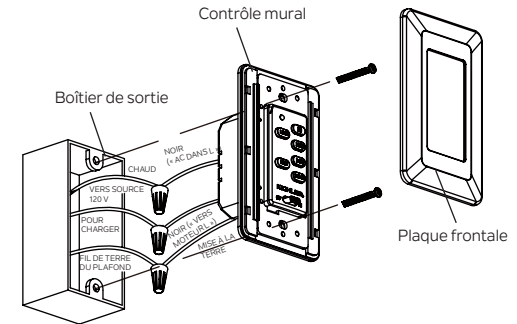


Fig. 16

INSTRUCTIONS D'UTILISATION

ACTIVER LE PROCESSUS D'APPRENTISSAGE

REMARQUE : Le système de contrôle de ce ventilateur est équipé d'une fonction de fréquence d'apprentissage qui a des combinaisons de codes 56K pour éviter les interférences potentielles d'autres unités distantes. La fréquence de votre récepteur et de vos commandes murales a été pré-réglée en usine. Aucun changement de fréquence n'est nécessaire. Si le ventilateur ne fonctionne pas ou si vous souhaitez installer un autre ventilateur dans la même zone avec un code de fréquence distinct, reportez-vous à la section « processus d'apprentissage » de ce manuel d'instructions pour coder le récepteur et le contrôle mural.

1. Utilisez un petit tournevis plat et retirez délicatement la façade du haut du contrôle mural. (Fig. 17)
2. Une fois l'installation terminée, appuyez sur le bouton LEARN et maintenez-le enfoncé pendant 3 secondes dans les 30 secondes suivant la mise sous tension. Le ventilateur s'allumera à vitesse moyenne et la lumière (si installée) s'allumera. Cela confirme que le paramètre SMART SYNC est actif et OK.
3. Si vous ne pouvez pas terminer le réglage dans le délai de 30 secondes, l'alimentation principale doit être coupée et redémarrée. Cela répètera l'étape 1 jusqu'à ce que la fonction LEARN soit activée comme indiqué.

COMMUTATEUR DE SÉLECTION DE FONCTION D'ÉCLAIRAGE (Fig. 18)

D signifie « gradateur »

O signifie « seulement marche/arrêt, pas de gradateur »

La lumière de ce ventilateur est à intensité variable, il a été réglé sur la position « D » en usine. Si vous voulez que la lumière soit uniquement allumée/éteinte, faites glisser le commutateur sur la position « O ».

FONCTIONNEMENT DU CONTRÔLE MURAL (Fig. 18)

ON/OFF : Active et verrouille le contrôle mural

HI : Vitesse élevée

MED : Vitesse moyenne

LOW : Vitesse faible

FAN OFF : Éteint le ventilateur

LUMIÈRE : Allume ou éteint la lumière. Appuyez sur le bouton et maintenez-le enfoncé pour régler la luminosité souhaitée.

REV : Contrôle la direction, avant ou inverse.

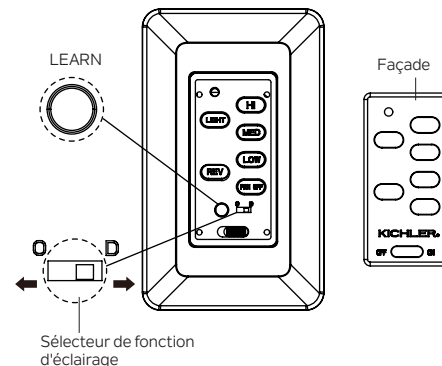


Fig. 17

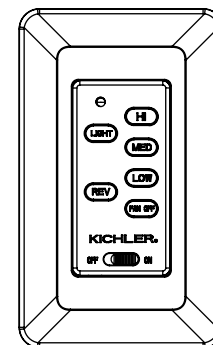


Fig. 18

FONCTION INVERSE

REMARQUE : Pour activer la fonction d'inversion sur ce ventilateur, appuyez sur le bouton <Inversion> pendant que le ventilateur fonctionne.

Fonctionnement par temps chaud : Avant (sens anti-horaire). Un flux d'air descendant crée un effet de refroidissement (Fig. 19). Cela vous permet de régler votre climatiseur sur un réglage plus chaud sans affecter votre confort général.

Fonctionnement par temps frais : Inverse (sens horaire). Un flux d'air ascendant évacue l'air chaud des zones du plafond (Fig. 20). Cela vous permet de régler votre unité de chauffage sur un réglage plus froid sans affecter votre confort général.

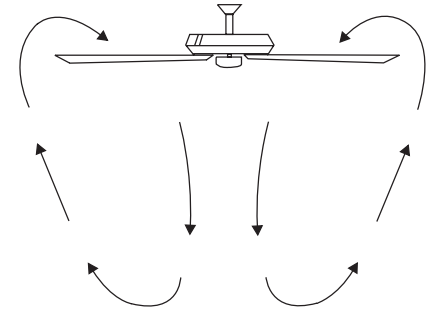


Fig. 19

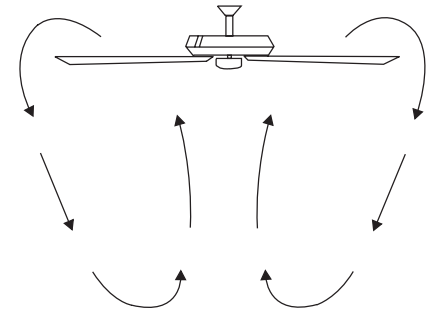


Fig. 20

DÉPANNAGE

Problème	Solution
Le ventilateur ne démarre pas.	<ol style="list-style-type: none">1. Vérifiez les fusibles ou les disjoncteurs.2. Vérifiez tous les raccordements électriques pour assurer un bon contact. ATTENTION : Assurez-vous que l'alimentation principale est coupée lors de la vérification de tout raccordement électrique.
Le ventilateur fait du bruit.	<ol style="list-style-type: none">1. Assurez-vous que toutes les vis du boîtier du moteur sont bien serrées.2. Assurez-vous que les vis qui fixent les supports des pales du ventilateur au moteur sont bien serrées.3. Assurez-vous que les raccords des écrous métalliques ne frottent pas les uns contre les autres ou contre la paroi intérieure du boîtier de l'interrupteur. ATTENTION : Assurez-vous que l'alimentation principale est coupée.4. Prévoyez une période de « rodage » de 24 heures. La plupart des bruits associés à un nouveau ventilateur disparaissent pendant ce temps.5. Si vous utilisez un kit d'éclairage en option, assurez-vous que les vis fixant la verrerie sont bien serrées. Assurez-vous que les ampoules ne touchent aucun autre composant.6. Ne connectez pas ce ventilateur à une ou plusieurs commandes de vitesse variable fixées au mur. Ils ne sont pas compatibles avec les moteurs de ventilateurs de plafond ou les télécommandes.7. Assurez-vous que la verrière supérieure est à une courte distance du plafond. Elle ne doit pas toucher le plafond.
Le ventilateur vacille.	<ol style="list-style-type: none">1. Vérifiez que toutes les vis de la pale et du bras de pale sont bien fixées.2. La plupart des problèmes d'oscillation du ventilateur sont causés lorsque les niveaux des pales sont inégaux. Vérifiez ce niveau en sélectionnant un point sur le plafond au-dessus de la pointe de l'une des pales. Mesurez cette distance. Faites tourner le ventilateur jusqu'à ce que la pale suivante soit positionnée pour la mesure. Répétez pour chaque pale. L'écart de distance doit être égal à 1/8 po.3. Si l'oscillation de la pale est toujours perceptible, interchanger deux pales adjacentes (côte à côte) peut redistribuer le poids et éventuellement entraîner un fonctionnement plus fluide.
Télécommande mauvais fonctionnement.	<ol style="list-style-type: none">1. Les ventilateurs de plafond équipés de systèmes de télécommande NE PEUVENT PAS être utilisés avec un autre système de commande SAUF un interrupteur mural Marche/Arrêt de base si vous le souhaitez.

Informations FCC

Cet appareil est conforme aux exigences de la section 15 du règlement de la FCC. Fonctionnement assujetti aux deux (2) conditions d'utilisation suivantes :

- 1.) Cet appareil ne doit pas provoquer d'interférences nuisibles, et
- 2.) Cet appareil doit accepter tous les brouillages reçus, y compris ceux pouvant causer un fonctionnement indésirable.

Remarque : Cet équipement a été testé et déclaré conforme aux limites d'un appareil numérique de classe B, conformément à la partie 15 des règles FCC. Ces limites sont conçues pour fournir une protection raisonnable contre les interférences nuisibles dans une installation résidentielle. Cet équipement génère, utilise et peut émettre de l'énergie radiofréquence et, s'il n'est pas installé et utilisé conformément aux instructions, peut provoquer des interférences nuisibles aux communications radio. Cependant, il n'y a aucune garantie que des interférences ne se produiront pas dans une installation particulière. Si cet équipement provoque des interférences nuisibles à la réception de la radio ou de la télévision, ce qui peut être déterminé en éteignant et en rallumant l'équipement, l'utilisateur est encouragé à essayer de corriger les interférences par une ou plusieurs des mesures suivantes :

- Réorientez ou déplacez l'antenne de réception.
- Augmentez l'espace entre l'équipement et le récepteur.
- Branchez l'équipement à une prise sur un circuit différent de celui auquel le récepteur est raccordé.
- Consultez le revendeur ou un technicien radio/TV expérimenté pour obtenir de l'aide.

KICHLER®

www.kichler.com

KICHLER LIGHTING LLC

30455 Solon Rd.

Solon, OH 44139 USA

SERVICE À LA CLIENTÈLE 866.558.5706

8 h à 17 h EST, DU LUNDI AU VENDREDI

2022/8/5

© Kichler Lighting LLC. Tous droits réservés.

KICHLER®

Volos LED de 48" / 54"

Las imágenes del producto pueden diferir ligeramente del producto real.



LEA Y CONSERVE ESTAS INSTRUCCIONES

MANUAL DE INSTRUCCIONES
Modelo #: 300032, 300154

ÍNDICE

REGLAS DE SEGURIDAD.....	3	INSTALACIÓN DE LA CARCASA DEL MOTOR ...	12
HERRAMIENTAS NECESARIAS	5	COLOCACIÓN DE LAS ASPAS DEL	
CONTENIDO DEL PAQUETE.....	5	VENTILADOR	13
OPCIONES DE MONTAJE.....	6	INSTALACIÓN DEL MONTAJE PARA	
COLGAR EL MONTAJE DEL MOTOR.....	7	JUEGO DE LUCES LED	13
INSTALACIÓN DEL CABLE DE SEGURIDAD.....	8	INSTALACIÓN DEL CONTROL DE PARED.....	14
CONEXIONES ELÉCTRICAS	9	INSTRUCCIÓN DE FUNCIONAMIENTO.....	15
DIAGRAMA DE CABLEADO	10	RESOLUCIÓN DE PROBLEMAS	17
FINALIZACIÓN DE LA INSTALACIÓN		INFORMACIÓN DE LA FCC	18
DEL MOTOR.....	11		

REGLAS DE SEGURIDAD

1. **PRECAUCIÓN – RIESGO DE DESCARGA ELÉCTRICA**
- Desconecte el suministro de energía eléctrica desde el panel principal del interruptor automático o la caja principal de fusibles antes de comenzar la instalación y durante ella.
2. **ADVERTENCIA:** Todo el cableado debe estar de acuerdo con el Código de Electricidad Nacional "ANSI/NFPA 70" y los códigos de electricidad locales. La instalación eléctrica debe ser realizada por un electricista profesional habilitado.
3. **ADVERTENCIA:** Para reducir el riesgo de descarga eléctrica, este ventilador debe ser instalado con un control/interruptor de pared de uso general y aislante.
4. **ADVERTENCIA:** No es apto para su uso con controles de velocidad de estado sólido.
5. **ADVERTENCIA:** Para reducir el riesgo de incendio, descarga eléctrica o lesiones personales, monte en una caja de salida marcada como "aceptable para el soporte de un ventilador de 15,9 kg (35 libras) o menos" y utilice los tornillos de montaje suministrados con la caja de salida. La mayoría de las cajas de salida que se utilizan habitualmente para el soporte de artefactos de luz no son aceptables para el soporte de un ventilador y es posible que deban ser reemplazadas. Debido a la complejidad de la instalación de este ventilador, se recomienda encarecidamente el empleo de un electricista profesional habilitado.
6. La caja de salida y la estructura de soporte deben estar montadas de forma segura y capaz de soportar de forma fiable un mínimo de 15,9 kg (35 libras). Utilice solamente cajas de salida con certificación de UL para EE. UU. y Canadá, marcadas como "Aceptable para el soporte de un ventilador de 15,9 kg (35 libras) o menos".
7. El ventilador debe montarse con un espacio mínimo de 2,1 m (7 pies) desde el borde de salida de las aspas hasta el suelo.
8. Para utilizar la función de marcha atrás (reversa) de este ventilador, pulse el botón de marcha atrás mientras el ventilador está en funcionamiento.
9. Evite colocar objetos en la trayectoria de las aspas.

REGLAS DE SEGURIDAD

10. **ADVERTENCIA:** asegúrese de que la corriente esté desconectada antes de limpiar el ventilador.
11. Para evitar lesiones personales o daños al ventilador y a otros objetos, sea cauteloso cuando trabaje alrededor del ventilador o lo limpie.
12. No utilice agua o detergente cuando limpie el ventilador o las aspas. Un paño seco para el polvo o ligeramente humedecido será adecuado para la mayoría de las limpiezas.
13. Después de realizar las conexiones eléctricas, los conductores empalmados deberán ser girados hacia arriba y empujados cuidadosamente hacia arriba dentro de la caja de salida. Los cables deben estar separados, con el conductor de tierra y el conductor de puesta a tierra del equipo en un lado de la caja de salida y el conductor sin conexión a tierra en el otro lado de la caja de salida.
14. Los diagramas eléctricos son sólo de referencia. Los kits de luces que no se incluyen con el ventilador deben ser certificados por UL para EE. UU. y Canadá y ser adecuados para su uso con el modelo de ventilador que

está instalando. Los interruptores deben ser certificados por UL para EE. UU. y Canadá y de uso general. Consulte las instrucciones que acompañan a los kits de luces e interruptores para su correcto montaje.

15. Todos los tornillos de ajuste deben ser revisados y vueltos a apretar cuando sea necesario, antes de la instalación.
16. La información sobre el peso del ventilador es la siguiente:

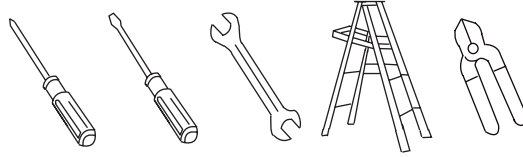
Número de modelo	Peso Neto (kg)	Peso Bruto (kg)	Peso Neto (lb)	Peso Bruto (lb)
300032	6.9	7.7	15.2	16.9
300154	7.3	8.4	16.06	18.48

ADVERTENCIA

PARA REDUCIR EL RIESGO DE LESIONES PERSONALES, NO DOBLE LAS ASPAS DURANTE EL MONTAJE O DESPUÉS DE LA INSTALACIÓN. NO INTRODUZCA OBJETOS EN LA TRAYECTORIA DE LAS ASPAS.

HERRAMIENTAS NECESARIAS

- Destornillador Phillips
- Destornillador plano
- Llave de 11 mm
- Escalera de mano
- Cortadores de alambre

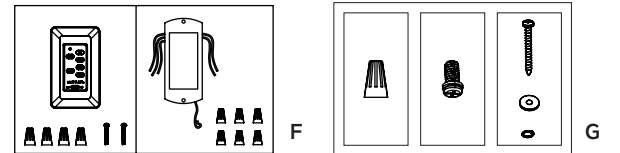
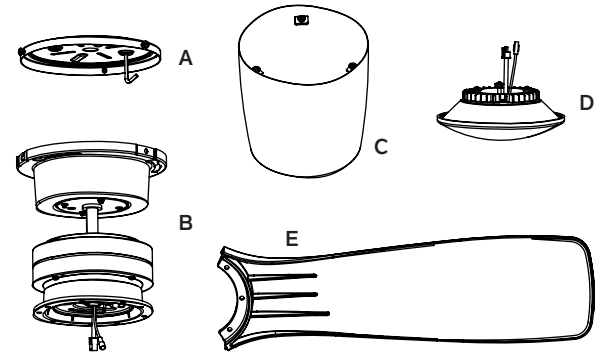


CONTENIDO DEL PAQUETE

Desempaque su ventilador y verifique el contenido. Debería tener los siguientes elementos:

- A. Placa de montaje
- B. Montaje del motor
- C. Carcasa del motor
- D. Montaje para juego de luces LED
- E. Aspas (3)
- F. Sistema de control de pared
 - Receptor (1)
 - Conector de cable (6)
 - Control de pared (1)
 - Conector de cable (4)
 - Tornillo (2)

- G. Accesorios del paquete
 - 1.) Accesorios de montaje:
 - Conector de cable (3)
 - 2.) Accesorios de fijación del aspa:
 - Tornillo (9)
 - 3.) Accesorios del cable de seguridad:
 - Tornillo para madera (1)
 - Arandela de resorte (1)
 - Arandela plana (1)



OPCIONES DE MONTAJE

Si no existe una caja de montaje con certificación UL (cUL para la instalación canadiense), lea las siguientes instrucciones. Desconecte la energía quitando los fusibles o apagando los disyuntores.

Fije la caja de distribución directamente a la estructura del edificio. Utilice sujetadores y materiales de construcción adecuados. La caja de salida y su soporte deben poder soportar completamente el peso total del ventilador (hasta 15.9 kg [35 libras]). No utilice cajas de salida de plástico.

Las figuras 1 y 2 son ejemplos de diferentes formas de montar la caja de salida.

NOTA: Dependiendo de la ubicación que haya seleccionado para la instalación, es posible que deba comprar e instalar un “colgador de viguetas” para el soporte de la caja de salida. Asegúrese de que el colgador de viguetas que compre haya sido diseñado para usarse con ventiladores de techo. (Figura 3)

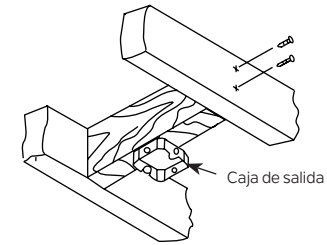


Figura 1

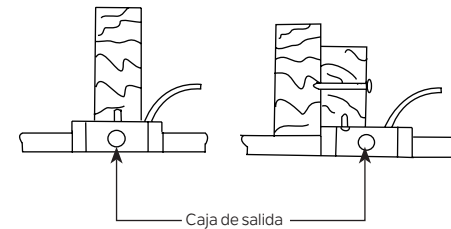


Figura 2

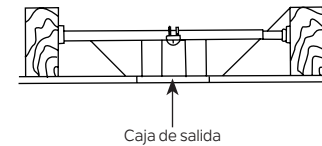


Figura 3

COLGAR EL MONTAJE DEL MOTOR

RECUERDE desconectar la alimentación antes de comenzar la instalación. Esto es necesario para su seguridad y también para la programación adecuada del sistema de control.

Para instalar correctamente su ventilador de techo, siga los pasos a continuación.

Paso 1. Antes de conectar el ventilador a la caja de salida (no incluida), asegúrese de que la caja de salida esté bien sujeta a al menos dos puntos de un miembro estructural del techo (una caja suelta hará que el ventilador oscile). Pase los cables de suministro de 120 voltios desde la caja de salida a través del centro de la placa de montaje. Instale la placa de montaje en la caja de salida en el techo usando los tornillos y las arandelas incluidos con la caja de salida. (Figura 4)

Paso 2. Enganche el montaje del motor en la placa de montaje como se muestra. Ahora puede continuar con el cableado eléctrico de su ventilador. (Figura 5)

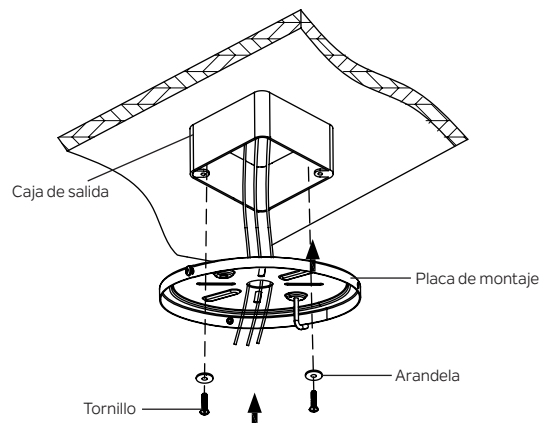


Figura 4

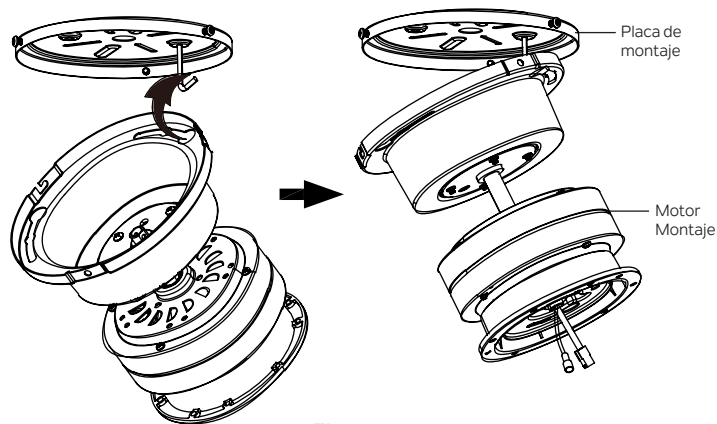


Figura 5

INSTALACIÓN DEL SOPORTE DE SEGURIDAD (requerido para la instalación canadiense SOLAMENTE)

Se proporciona un cable de soporte de seguridad para ayudar a evitar que el ventilador de techo se caiga; instálelo de la siguiente manera.

Paso 1. Inserte un tornillo para madera y arandelas en el costado de la abrazadera que sostiene la caja de salida. Deje 3 mm (1/8") de espacio entre el soporte de apoyo y la arandela. (Figura 6)

Paso 2. Inserte el cable de seguridad a través del soporte de montaje y uno de los orificios de la caja de salida en el techo. Ajuste la longitud del cable de seguridad para alcanzar el tornillo y las arandelas tirando del cable adicional a través de la abrazadera del cable hasta que la longitud total sea la correcta, vuelva a colocar el extremo del cable a través de la abrazadera del cable, formando un bucle en el extremo del cable. Apriete firmemente la abrazadera del cable. Ahora, coloque el lazo en el extremo del cable de seguridad sobre el tornillo para madera y debajo de la arandela. Apriete firmemente el tornillo para madera. (Figura 7)

NOTA: Aunque el cable de soporte de seguridad es necesario solo para instalaciones canadienses. Es una buena idea hacer el acoplamiento con cualquier instalación.

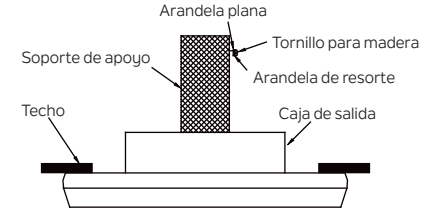


Figura 6

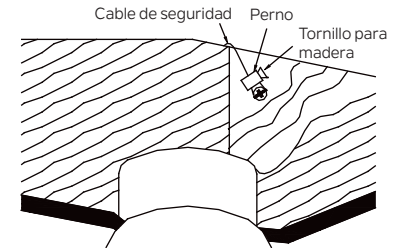


Figura 7

CONEXIONES ELÉCTRICAS

ADVERTENCIA: Para evitar posibles descargas eléctricas, asegúrese de haber desconectado la energía en el panel del circuito principal antes de realizar el cableado.

Siga los pasos a continuación para conectar el ventilador al cableado de su hogar. Utilice los conectores de cable suministrados con su ventilador.

Sujete el conector con cinta aislante. Asegúrese de que no haya conexiones o filamentos de cables sueltos.

ADVERTENCIA: Si los cables de su casa son de colores diferentes a los que se mencionan en este manual, deténgase inmediatamente.

Se recomienda un electricista profesional para determinar el cableado adecuado.

Paso 1. Colocar el receptor en la placa de montaje y manténgalo plano en oposición al techo. (Figura 8)

Paso 2. Conexiones eléctricas del motor al receptor:

Conecte el cable BLANCO del ventilador al cable BLANCO marcado "AL MOTOR N" del receptor.

Conecte el cable NEGRO del ventilador al cable NEGRO marcado "AL MOTOR L" del receptor.

Conecte el cable AZUL del ventilador al cable AZUL marcado "PARA LA LUZ" del receptor.

Paso 3. Conexiones eléctricas del hogar al receptor:

Conecte el cable BLANCO marcado "CA DE ENTRADA N" del receptor al cable BLANCO de la casa.

Conecte el cable NEGRO marcado "CA DE ENTRADA N" del receptor al cable NEGRO marcado "AL MOTOR L" del control de pared.

Conecte el cable NEGRO marcado "CA DE ENTRADA N" del control de pared al cable NEGRO de la casa.

Paso 4. Conexiones de cables de tierra:

Conecte el cable de TIERRA de la casa a los cables VERDES del montaje del motor y la placa de montaje.

Paso 5. Fije todas las conexiones de cables con los conectores de cable de plástico provistos. (Figura 9)

NOTA: Después de conectar los cables, sepárelos de modo que los cables verde y blanco estén en un lado de la caja de salida y los cables negro y azul en el otro lado. Introduzca con cuidado las conexiones de cables en la caja de salida.

NOTA: El ventilador debe instalarse a una distancia máxima de 30 pies de la unidad de transmisión para una transmisión de señal adecuada entre la unidad de transmisión y la unidad de recepción del ventilador.

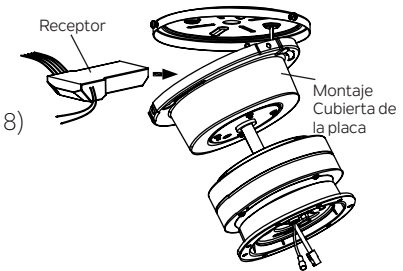


Figura 8

DIAGRAMA DE CABLEADO

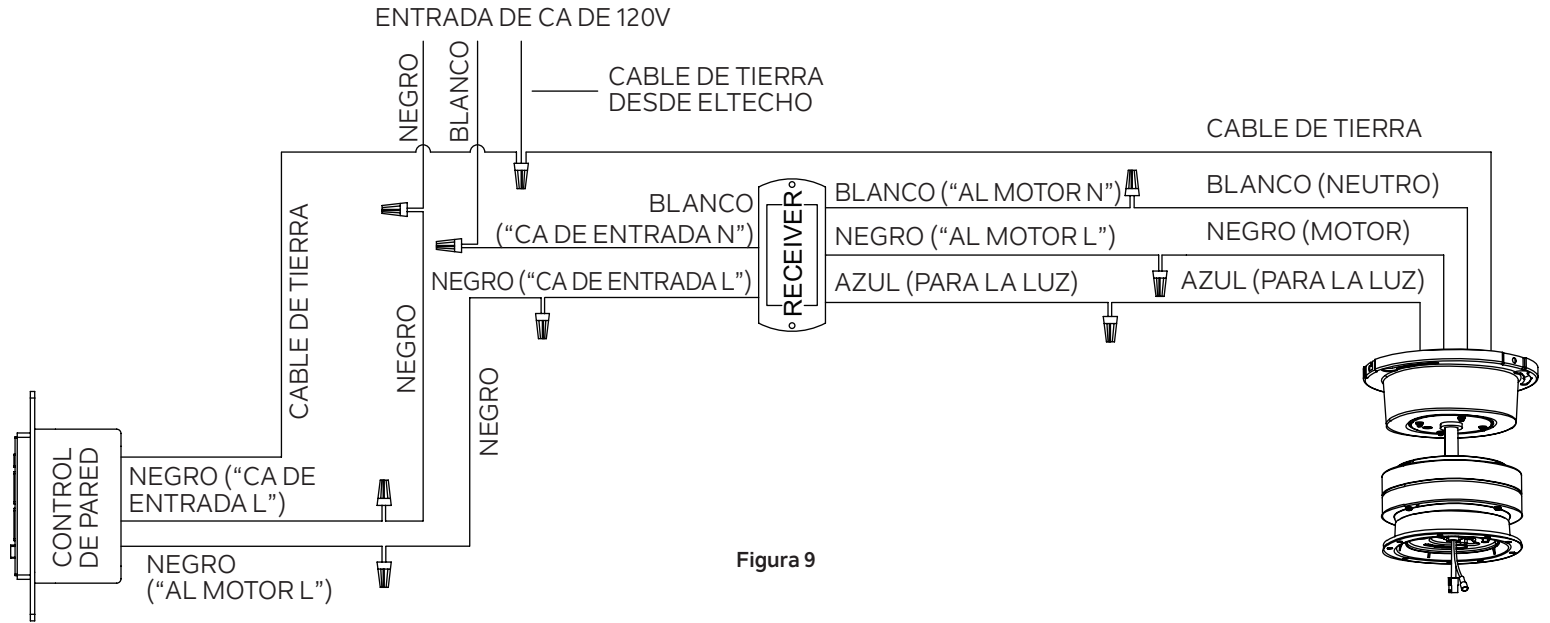


Figura 9

FINALIZACIÓN DE LA INSTALACIÓN DEL MOTOR

PRECAUCIÓN: Antes de continuar, asegúrese de que la energía esté desconectada apagando el disyuntor o retirando el fusible en la caja del circuito.

Paso 1. Quite uno de los tres tornillos de la placa de montaje y guárdelo para su uso posterior. Afloje los otros dos (no los quite). (Figura 10)

Paso 2. Suelte el montaje del motor del gancho en J, levante el montaje del motor hasta la placa de montaje, alinee los orificios de la ranura en la cubierta de la placa de montaje con dos tornillos sueltos en la placa de montaje. Gire la cubierta de la placa de montaje hasta que los dos tornillos sueltos encajen en su lugar en el extremo estrecho de los orificios de la llave. Vuelva a instalar el tornillo que quitó en el paso 1, apriete firmemente los tres tornillos. (Figura 11)

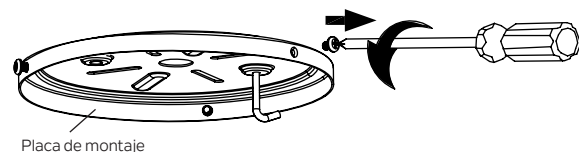


Figura 10

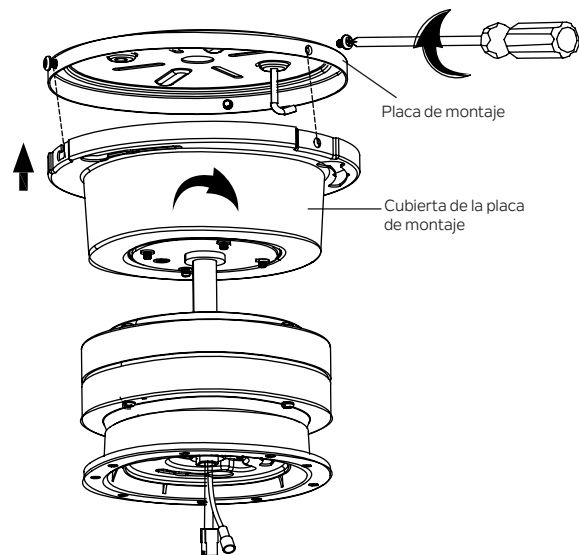


Figura 11

INSTALACIÓN DE LA CARCASA DEL MOTOR

Paso 1. Coloque la carcasa del motor encima de la tapa de la placa de montaje, coloque tres etiquetas colgantes con tornillos en la carcasa del motor en los orificios de la tapa de la placa de montaje. (Figura 12a)

Paso 2. Gire la carcasa del motor a la derecha hasta que los tres tornillos encajen en el extremo de los orificios rasgados. (Figura 12b)

ADVERTENCIA: Asegúrese de completar los pasos anteriores correctamente y seguirlos todos. Si no lo hace, el ventilador podría caerse.

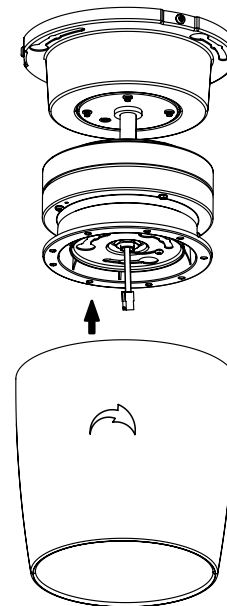


Figura 12a

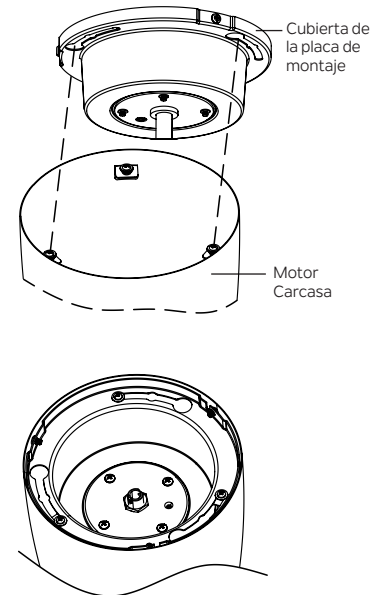


Figura 12b

COLOCACIÓN DE LAS ASPAS DEL VENTILADOR

PRECAUCIÓN: Para reducir el riesgo de descarga eléctrica, desconecte el circuito de suministro eléctrico al ventilador antes de instalar las aspas.

Paso 1. Fije las aspas del ventilador al volante usando los tornillos de las aspas y apriételos firmemente. (Figura 13)

INSTALACIÓN DEL MONTAJE PARA JUEGO DE LUCES LED

PRECAUCIÓN: Antes de continuar con la instalación, confirme que la energía aún está apagada en el disyuntor principal o retirando el fusible del circuito. Apagar la alimentación con un interruptor de pared no es suficiente para evitar descargas eléctricas.

Paso 1. Sostenga el montaje para juego de luces LED, cierre el motor y junte los conectores de clavija. (Figura 14)

NOTA: Los conectores tienen orificios de cerradura que deben acoplarse correctamente antes de que se puedan engranar.

Paso 2. Meta las conexiones cuidadosamente en el montaje para juegos de luces LED, levante el montaje para juego de luces LED hasta el motor, alinee las etiquetas de puntos rojos, y gire los tornillos de la parte superior del juego de luces LED hacia el extremo estrecho de los orificios rasgados del motor, como se muestra. Asegúrese de que todos los tornillos queden bloqueados en su lugar y que el juego de luces LED ya no gire (Fig. 14)

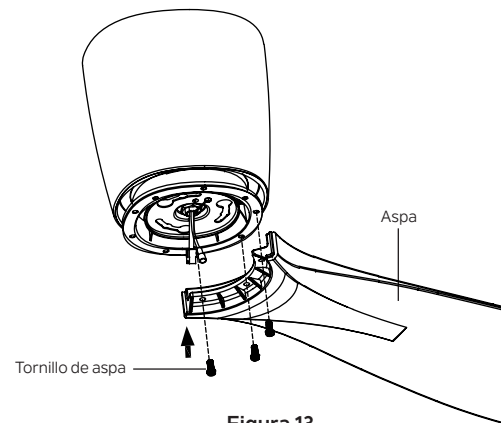


Figura 13

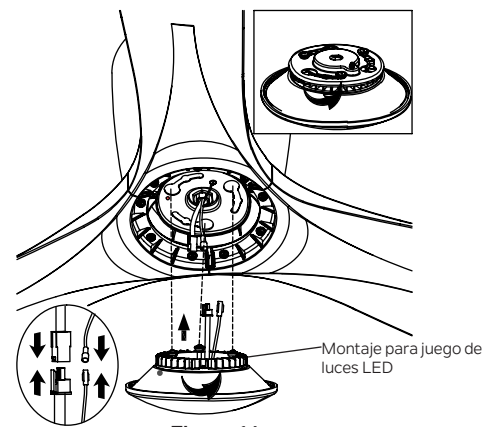


Figura 14

INSTALACIÓN DEL CONTROL DE PARED

ADVERTENCIA: Todo el cableado debe instalarse de acuerdo con el Código Eléctrico Nacional (National Electrical Code) y los códigos eléctricos locales. La instalación eléctrica debe ser realizada por un electricista calificado.

NOTA: LA INSTALACIÓN DEL INTERRUPTOR DEBE CUMPLIR CON TODOS LOS CÓDIGOS ELÉCTRICOS LOCALES Y NACIONALES.

ADVERTENCIA: Apague la energía principal en el disyuntor o en el panel de fusibles antes de continuar.

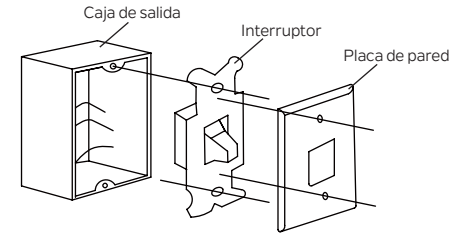


Figura 15

Paso 1. Retire la placa de pared existente y el interruptor antiguo de la caja de salida de pared. Desconecte los cables. (Figura 15)

Paso 2. Coloque el control de pared en la caja de salida, conecte los cables con los conectores de cables provistos. (Figura 16)

*Conecte el cable principal (VIVO) de la caja de salida al cable NEGRO marcado "CA DE ENTRADA N" del control de pared.

*Conecte el cable principal (CARGA) de la caja de salida al cable NEGRO marcado "AL MOTOR L" del control de pared.

*Conecte el cable de TIERRA de la caja de salida al TIERRA del control de pared.

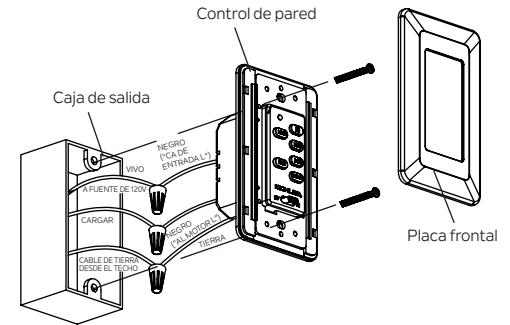


Figura 16

Paso 3. Asegure los conectores de los cables y asegúrese de que no haya hilos o conexiones sueltas. Con cuidado, vuelva a colocar las conexiones de cables dentro de la caja de salida y asegure el control de pared a la caja de salida con los tornillos proporcionados. Ajuste la placa frontal al control de pared.

INSTRUCCIÓN DE FUNCIONAMIENTO

ACTIVAR EL PROCESO DE APRENDIZAJE

NOTA: El sistema de control de este ventilador está equipado con una función de frecuencia de aprendizaje que tiene combinaciones de códigos de 56K para evitar posibles interferencias de otras unidades remotas. La frecuencia de su receptor y de las unidades de control de pared se ha configurado previamente en la fábrica. No es necesario cambiar la frecuencia. Si el ventilador no funciona o si desea instalar otro ventilador dentro de la misma área con un código de frecuencia aparte, consulte la sección de "proceso de aprendizaje" de este manual de instrucciones para sincronizar el código del receptor y el control de pared.

1. Utilice un destornillador plano pequeño y haga palanca con cuidado para separar la placa frontal de la parte superior del control de pared. (Figura 17)
2. Una vez completada la instalación, presione y mantenga presionado el botón APRENDER (LEARN) durante 3 segundos dentro de los 30 segundos posteriores a la activación de la alimentación de CA. El ventilador se encenderá a velocidad media y la luz (si está instalada) se encenderá. Esto confirma que el ajuste SMART SYNC está activo y bien.
3. Si no puede finalizar la configuración dentro de 30 segundos, la alimentación principal debe apagarse y reiniciarse de nuevo. Esto repetirá el paso 1 hasta que se active la función APRENDER como se indica.

INTERRUPTOR DE SELECCIÓN DE FUNCIÓN DE LUZ (Figura 18)

D significa "atenuador"

O significa "solo encendido/apagado, sin atenuar"

La luz de este ventilador es regulable, se ha configurado en la posición "D" en la fábrica. Si desea que la luz solo esté ENCENDIDA/APAGADA, deslice el interruptor a la posición "O".

FUNCIONAMIENTO DEL CONTROL DE PARED (Figura 18)

ENCENDIDO/ APAGADO: Active y bloquee el control de pared

HOLA: Alta velocidad

MEDIA: Velocidad media

BAJO: Baja velocidad

VENTILADOR APAGADO Apaga el ventilador

LUZ: Encienda o apague la luz. Mantenga presionado el botón para establecer el brillo deseado.

RETROCESO: Dirección de control, avance o retroceso.

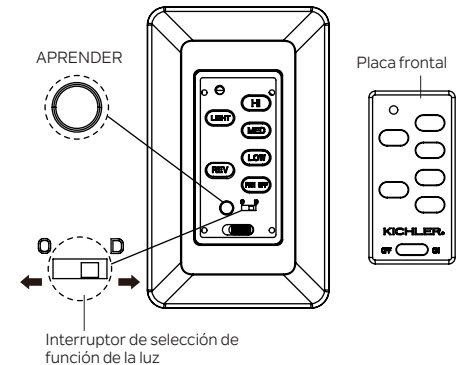


Figura 17

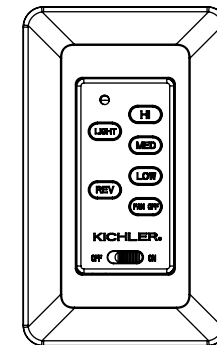


Figura 18

FUNCIÓN DE RETROCESO

NOTA: Para operar la función de retroceso en este ventilador, presione el botón de retroceso mientras el ventilador está funcionando.

Operación en clima cálido: Avance (en sentido contrario a las agujas del reloj). Un flujo de aire descendente crea un efecto de enfriamiento (Figura 19). Esto le permite configurar su aire acondicionado en una configuración más cálida sin afectar su comodidad general.

Operación en clima frío: Retroceso (en sentido de las agujas del reloj). Un flujo de aire ascendente mueve el aire caliente de las áreas del techo (Figura 20). Esto le permite configurar su unidad de calefacción en una configuración más fría sin afectar su comodidad general.

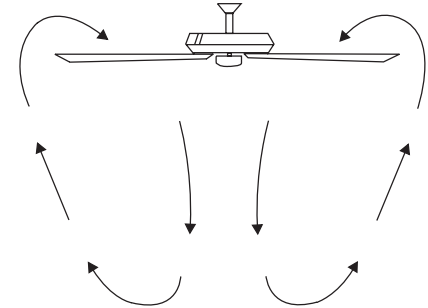


Figura 19

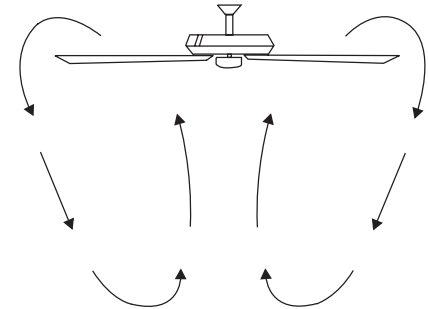


Figura 20

RESOLUCIÓN DE PROBLEMAS

Problema	Solución
El ventilador no arranca.	<ol style="list-style-type: none">1. Verifique los fusibles o disyuntores del circuito.2. Verifique todas las conexiones eléctricas para asegurar un contacto adecuado. PRECAUCIÓN: Asegúrese de que la alimentación principal esté APAGADA cuando verifique cualquier conexión eléctrica.
El ventilador suena ruidoso.	<ol style="list-style-type: none">1. Asegúrese de que todos los tornillos de la carcasa del motor estén ajustados.2. Asegúrese de que los tornillos que sujetan los soportes de las aspas del ventilador al motor estén apretados.3. Asegúrese de que las conexiones de tuercas para cables no se froten entre sí o con la pared interior de la caja del interruptor. PRECAUCIÓN: Asegúrese de que la energía principal esté apagada.4. Permita un período de "rodaje" de 24 horas. La mayor parte del ruido asociado con un ventilador nuevo desaparece durante este tiempo.5. Si usa un kit de luz opcional, asegúrese de que los tornillos que sujetan la cristalería estén bien apretados. Asegúrese de que las bombillas no toquen ningún otro componente.6. No conecte este ventilador a un control de velocidad variable montado en la pared. No son compatibles con motores de ventiladores de techo o controles remotos.7. Asegúrese de que el dosel superior esté a poca distancia del techo. No debe tocar el techo.
Oscilación del ventilador.	<ol style="list-style-type: none">1. Verifique que todos los tornillos de aspa y del brazo de aspa estén firmes.2. La mayoría de los problemas de oscilación del ventilador se deben a que los niveles de las aspas no son iguales. Compruebe este nivel seleccionando un punto en el techo por encima de la punta de una de las aspas. Mida esta distancia. Gire el ventilador hasta que se coloque la siguiente aspa para medir. Repita para cada aspa. La desviación de la distancia debe ser igual dentro de 1/8".3. Si aún se nota la oscilación del aspa, intercambiar dos aspas adyacentes (una al lado de la otra) puede redistribuir el peso y posiblemente dar como resultado un funcionamiento más fluido.
Funcionamiento defectuoso del control remoto.	<ol style="list-style-type: none">1. Los ventiladores de techo con sistemas de control remoto NO PUEDEN funcionar junto con ningún otro sistema de control, EXCEPTO un interruptor de pared de encendido/apagado básico si se desea.

INFORMACIÓN DE LA FCC

Este dispositivo cumple con la parte 15 de las normas de la Comisión Federal de Comunicaciones (Federal Communications Commission, FCC). El funcionamiento está sujeto a las siguientes dos condiciones:

- 1.) Este dispositivo no puede causar interferencias perjudiciales, y
- 2.) Este dispositivo debe aceptar cualquier interferencia recibida, incluidas interferencias que puedan causar un funcionamiento no deseado.

Nota: Este equipo ha sido probado y cumple con los límites para un dispositivo digital de Clase B, de acuerdo con la parte 15 de las normas de la FCC. Estos límites están diseñados para proporcionar una protección razonable contra interferencias perjudiciales en una instalación residencial. Este equipo genera, usa y puede irradiar energía de radiofrecuencia y, si no se instala y usa de acuerdo con las instrucciones, puede causar interferencia dañina a las comunicaciones por radio. Sin embargo, no hay garantía de que no se produzcan interferencias en una instalación en particular. Si este equipo causa interferencia dañina en la recepción de radio o televisión, lo cual se puede determinar encendiendo y apagando el equipo, se recomienda al usuario que intente corregir la interferencia mediante una o más de las siguientes medidas:

- Reorientar o reubicar la antena receptora.
- Aumentar la separación entre el equipo y el receptor.
- Conectar el equipo a una toma de corriente en un circuito diferente al que está conectado el receptor.
- Consulte con el distribuidor o con un técnico de radio/TV experimentado para obtener ayuda.

KICHLER®

www.kichler.com

KICHLER LIGHTING LLC

30455 Solon Rd.

Solon, OH 44139 USA

SERVICIO AL CLIENTE 866.558.5706

8:00 AM A 5:00 PM EST, DE LUNES A

VIERNES

2022/8/9

© Kichler Lighting LLC. Todos los derechos reservados.