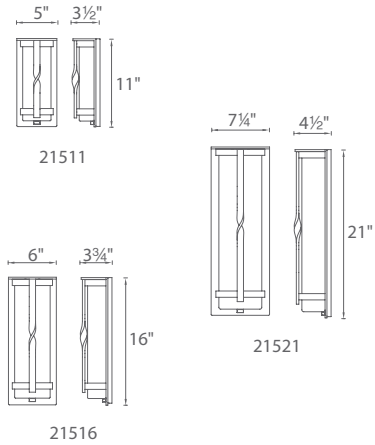
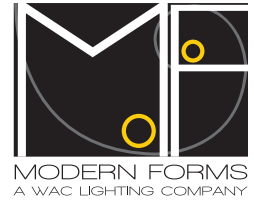


BERKLEY – model: WS-W21511/W21516/W21521

LED Outdoor



Fixture Type:

Catalog Number:

Project: _____

Location: _____

PRODUCT DESCRIPTION

Arts and crafts styling with a refreshing twist. The enduring look of forged iron over mouth blown etched opal glass. A handsome addition to any setting.

FEATURES

- ADA compliant for WS-W21511, WS-W21516, low profile design
- Wet location listed, IP65 rated
- CEC Title 24 compliant for WS-W21511
- Weather resistant powder coated finish
- Solid aluminum construction
- Dimming with electronic low voltage (ELV) dimmer
- No transformer or driver required
- 80,000 hour rated life
- Color Temp: 3000K
- CRI: 90

SPECIFICATIONS

Construction: Aluminum with etched opal glass

Light Source: High output LED.


Dimming: Dims to 10% with an electronic low voltage (ELV) dimmer.

Mounting: Mounts directly to junction box.

Finish: Bronze (BZ).

Standards: ETL & cETL listed. ADA compliant.

ORDER NUMBER

Model	Length	Wattage	Voltage	LED Lumens	Delivered Lumens	Finish
WS-W21511	11"	15.5W	120V	674	370	BZ Bronze 
WS-W21516	16"	19.5W	120V	1062	555	
WS-W21521	21"	26.0W	120V	1443	985	

Example: **WS-W21516-BZ**

REPLACEMENT GLASS

Model	Fixture
RPL-GLA-21511	WS-W21511
RPL-GLA-21516	WS-W21516
RPL-GLA-21521	WS-W21521

modernforms.com
Phone (800) 526.2588
Fax (800) 526.2585

Headquarters/Eastern Distribution Center
44 Harbor Park Drive
Port Washington, NY 11050

Central Distribution Center
1600 Distribution Ct
Lithia Springs, GA 30122

Western Distribution Center
1750 Archibald Avenue
Ontario, CA 91760