

# INSTALLATION INSTRUCTIONS

## 843-LED Wall Sconce

WS-84320 / WS-84334

# MODERN FORMS

**CAUTION: To prevent electrical shock, ensure electricity has been turned off at the circuit breaker before beginning.**

- Read all instructions before installing.
- System is intended for installation by a licensed electrician in accordance with the National Electrical Code (NEC) and local regulations.
- When handling the fixture, do not apply pressure to the LEDs. Hold the fixture by the base only.
- Retain installation instructions for future maintenance reference.

**WARNING:** All parts must be used as indicated in these instructions. This product is designed for use only with the supplied parts and/or accessories designated for use by Modern Forms. Substitution of parts or accessories not designated for use with this product by Modern Forms could result in personal injury or property damage, and will void the warranty. Contact an authorized dealer or the manufacturer if any parts are damaged or missing.

**MAINTENANCE NOTE:** Coastal conditions may cause mineral and residue build-up on the fixture. We recommend that customers in coastal areas clean all external surfaces of the fixture once every two weeks with a wet cloth.

**MISE EN GARDE:** Pour éviter tout choc électrique, assurez-vous que le disjoncteur soit mis hors tension avant de commencer.

- Lisez toutes les instructions avant l'installation.
- Le système doit être installé par un électricien licencié conformément au code national de l'électricité (NEC), et également aux règlements locaux.
- Lors de la manipulation du luminaire, n'appuyez pas sur les LED. Tenez-le uniquement par la base.

**ATTENTION:** Toutes les pièces doivent être utilisées comme indiqué dans ces instructions. Ce produit est conçu pour être utilisé seulement avec les pièces et/ou accessoires fournis pour être utilisés avec les produits Modern Forms. Remplacer des pièces ou accessoires non conçus pour ce produit Modern Forms pourrait causer des dommages corporels ou matériels et pourrait également causer l'annulation de la garantie. Veuillez contacter un revendeur autorisé ou le fabricant si des pièces manquent ou sont endommagées.

**NOTE D'ENTRETIEN:** Les conditions côtières peut causer une accumulation de minéraux et de résidus sur le luminaire. Nous recommandons

## HARDWARE

A



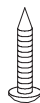
Wire Connector  
Qty: 3pcs+1 Extra

B



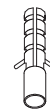
Back Plate Screw  
Qty: 1 Extra

C



Anchor Screw  
Qty: 2pcs+1 Extra

D



Plastic Anchor  
Qty: 2pcs+1 Extra

modernforms.com  
Phone (800) 526.2588  
Fax (800) 526.2585

Headquarters/Eastern Distribution Center  
44 Harbor Park Drive  
Port Washington, NY 11050

Central Distribution Center  
1600 Distribution Ct  
Lithia Springs, GA 30122

Western Distribution Center  
1750 Archibald Avenue  
Ontario, CA 91760



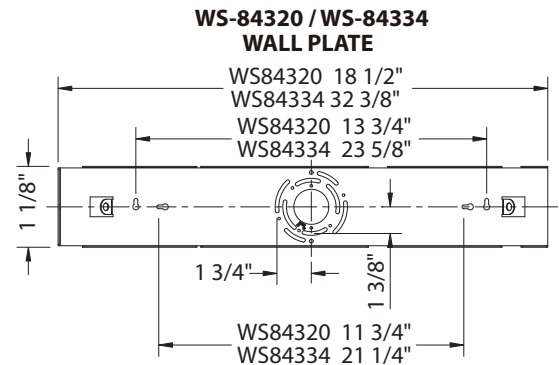
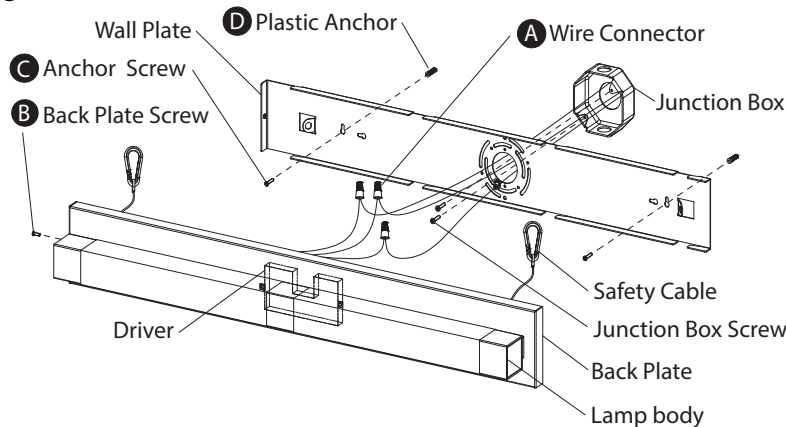
# INSTALLATION INSTRUCTIONS

## 843-LED Wall Sconce

WS-84320 / WS-84334

# MODERN FORMS

**Fig. 1**



### PREPARATION

1. Shut off the power at the circuit breaker and remove existing fixture, including the crossbar.
2. Carefully unpack your new fixture and lay out all the parts in a clear area. Be careful not to lose any small parts necessary for installation.

### MOUNTING WALL PLATE (Fig. 1)

3. Remove the back plate screws (B) from the wall plate.
4. Drill holes in the wall aligned with the outer key holes in the mounting plate. Install the plastic anchors (D) into the wall.
5. First, secure the wall plate to the junction box using the original junction box screws. Second, fasten the wall plate to the wall using anchor screws (C).
  - (i) It is recommended to use only original junction box screws or replacements provided by junction box manufacturer.
  - (ii) The side of the wall plate marked "GND" must face out towards the installer.

### WIRING FIXTURE (Fig. 1, Fig. 2)

6. Attach the fixture to the wall plate using a safety cable as shown (Fig. 1). This secures the fixture and aids in wiring.
7. Connect the driver's input wires to the junction box wires as shown in Fig. 2 using wire connectors (A) provided. Ensure wire connectors are secured. Connect the fixture's ground wire to the ground in the junction box; this will be either a green wire or a bare copper wire. After fixture is wired to house wires, tuck wires carefully inside the junction box.

8. If using a dimmer with this fixture, wire dimmer connections at this stage per section titled "(OPTIONAL) DIMMER WIRING INFORMATION."

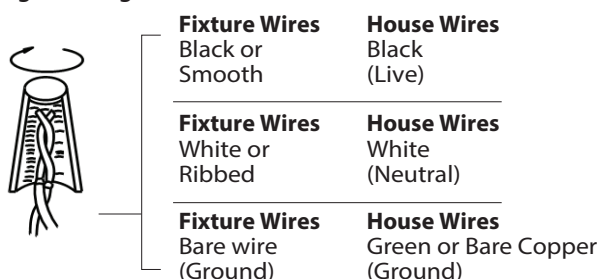
### COMPLETING THE INSTALLATION (Fig. 1)

9. Mount the fixture against the wall plate and secure using the back plate screws (B).

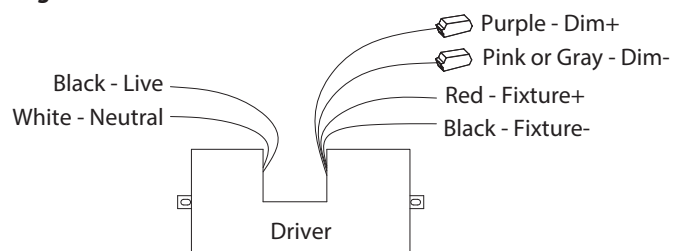
### (OPTIONAL) DIMMER WIRING (Fig. 3)

- This fixture features electronic low voltage (ELV or TRAIC) or 0-10V dimming capabilities. See notes below for specific dimming wires information.
- To utilize ELV or TRAIC dimming: connect house wires as normal, using black (live), white (neutral) and house green wire or bare copper wire (ground). Do not use dimmer wires on driver for ELV or TRAIC dimming.
- To utilize 0-10V dimming: use dimmer wires purple (dim+) and pink or gray (dim-) from driver and connect to corresponding wires in junction box. Connect house wires as normal.
- NOTE: Make sure to connect 0-10V prior to powering up the fixture in order to allow the 0-10V dimming to function properly.

**Fig. 2 Wiring**



**Fig.3**



modernforms.com  
Phone (800) 526.2588  
Fax (800) 526.2585

Headquarters/Eastern Distribution Center  
44 Harbor Park Drive  
Port Washington, NY 11050

Central Distribution Center  
1600 Distribution Ct  
Lithia Springs, GA 30122

Western Distribution Center  
1750 Archibald Avenue  
Ontario, CA 91760

