

INSTALLATION INSTRUCTIONS

879 - LED PENDANT

PD-87956

MODERN FORMS

CAUTION: To prevent electrical shock, ensure electricity has been turned off at the circuit breaker before beginning.

- Read all instructions before installing.
- System is intended for installation by a licensed electrician in accordance with the National Electrical Code (NEC) and local regulations.
- When handling the fixture, do not apply pressure to the LEDs. Hold the fixture by the base only.
- Retain installation instructions for future maintenance reference.

WARNING: All parts must be used as indicated in these instructions. This product is designed for use only with the supplied parts and/or accessories designated for use by dweLED. Substitution of parts or accessories not designated for use with this product by dweLED could result in personal injury or property damage, and will void the warranty. Contact an authorized dealer or the manufacturer if any parts are damaged or missing.

MAINTENANCE NOTE: Coastal conditions may cause mineral and residue build-up on the fixture. We recommend that customers in coastal areas clean all external surfaces of the fixture once every two weeks with a wet cloth.

MISE EN GARDE: Pour éviter tout choc électrique, assurez-vous que le disjoncteur soit mis hors tension avant de commencer.

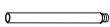
- Lisez toutes les instructions avant l'installation.
- Le système doit être installé par un électricien licencié conformément au code national de l'électricité (NEC), et également aux règlements locaux.
- Lors de la manipulation du luminaire, n'appuyez pas sur les LED. Tenez-le uniquement par la base.

ATTENTION: Toutes les pièces doivent être utilisées comme indiqué dans ces instructions. Ce produit est conçu pour être utilisé seulement avec les pièces et/ou accessoires fournis pour être utilisés avec les produits dweLED. Remplacer des pièces ou accessoires non conçus pour ce produit dweLED pourrait causer des dommages corporels ou matériels et pourrait également causer l'annulation de la garantie. Veuillez contacter un revendeur autorisé ou le fabricant si des pièces manquent ou sont endommagées.

NOTE D'ENTRETIEN: Les conditions côtières peut causer une accumulation de minéraux et de résidus sur le luminaire. Nous recommandons aux clients qui résident dans les zones côtières de nettoyer toutes les surfaces externes du luminaire une fois toutes les deux semaines avec un chiffon humide.

HARDWARE

A



Rod
Qty: 12"x6pcs
+6"x2pcs

B



Wire Connector
Qty: 3pcs+1Extra

C



Wire Connector
Qty: 4pcs+1Extra

D



Mounting Screw
Qty: 1Extra
5/32"-32x1/2

E



Plastic Anchor
Qty: 4pcs+1Extra

F



Wood Screw
Qty: 4pcs+1Extra
Φ 4x7/8

modernforms.com
Phone (800) 526.2588
Fax (800) 526.2585

Headquarters/Eastern Distribution Center
44 Harbor Park Drive
Port Washington, NY 11050

Central Distribution Center
1600 Distribution Ct
Lithia Springs, GA 30122

Western Distribution Center
1750 Archibald Avenue
Ontario, CA 91760



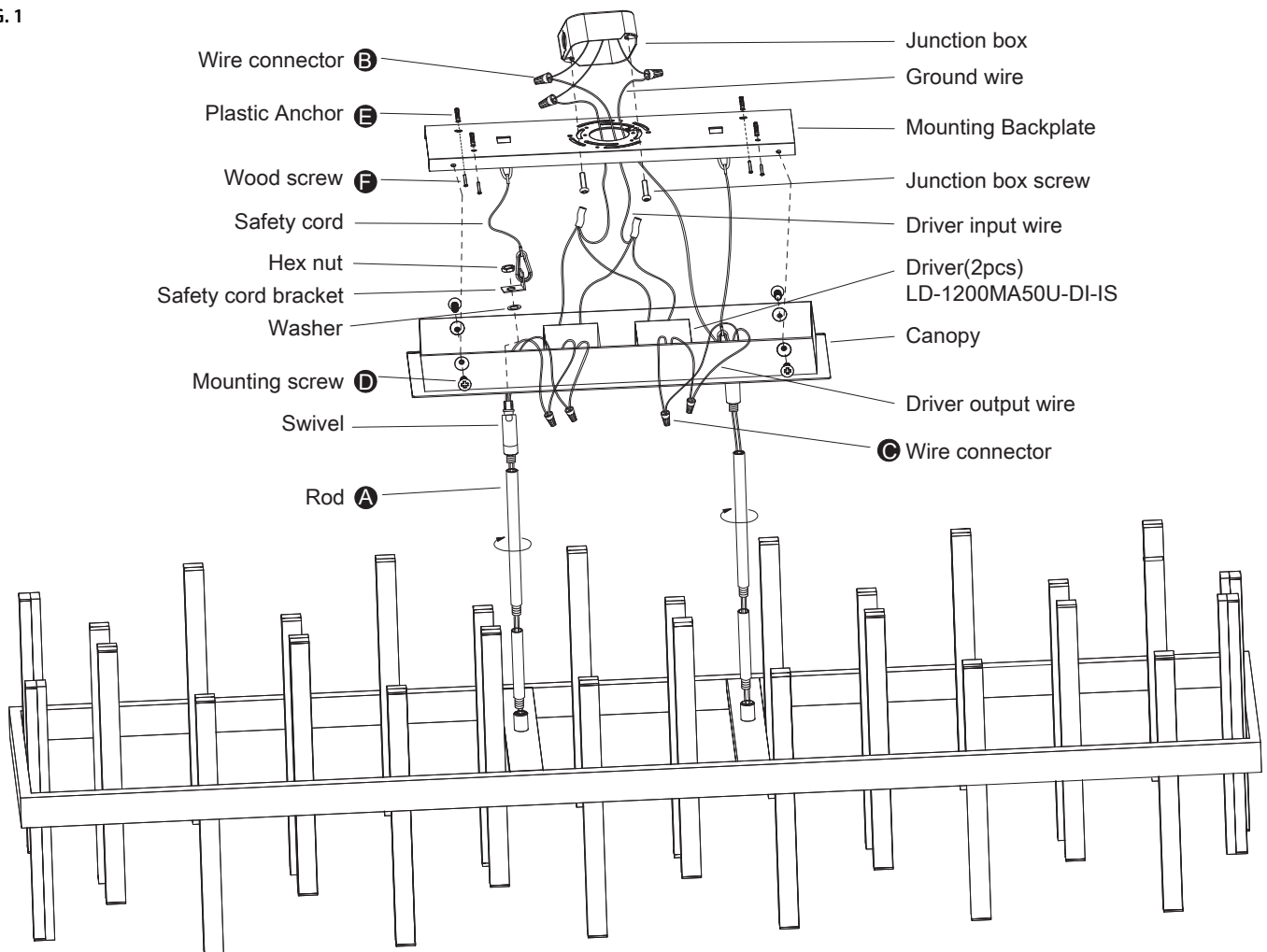
INSTALLATION INSTRUCTIONS

879 - LED PENDANT

PD-87956

MODERN FORMS

FIG. 1



PREPARATION

1. Shut off the power at the circuit breaker and remove existing fixture, including the crossbar.
2. Carefully unpack your new fixture and lay out all the parts on a clear area. Be careful not to lose any small parts necessary for installation.

MOUNTING THE FIXTURE (Fig. 1)

3. Remove the mounting screws (D) and mounting back plate from the fixture.
4. Drill holes in the wall aligned with the key-hole location in the mounting back plate, insert the plastic anchors (E).
5. Secure the mounting back plate to the junction box using standard junction box screws that comes with the junction box. Fasten it to the ceiling using the wood screws (F). Note: the side of the mounting plate marked "GND" must face out.

CONNECTING THE WIRES (Fig. 2)

6. Unscrew the hex nuts, take out the swivels. Choose suitable rods for desired length. Thread the fixture wires through the rods, swivels, canopy, washers, ground wire, safety cord brackets and hex nuts. Then make sure all are tightened.

modernforms.com
Phone (800) 526.2588
Fax (800) 526.2585

Headquarters/Eastern Distribution Center
44 Harbor Park Drive
Port Washington, NY 11050

Central Distribution Center
1600 Distribution Ct
Lithia Springs, GA 30122

Western Distribution Center
1750 Archibald Avenue
Ontario, CA 91760



INSTALLATION INSTRUCTIONS

879 - LED PENDANT

PD-87956

MODERN FORMS

7. Connect the driver's output wires (shown in Fig. 3) to fixture wires as shown in Fig. 2, making sure that all wire connectors (C) are secured. One driver connect to one fixture wire, red wire to red, and black to black. After all output wires connected, tidy the wires in the canopy.
8. Hook the safety cords to the mounting back plate slot.
9. Connect the driver's input wires to junction box wires as shown in Fig. 2, making sure that all wire connectors (B) are secured. If your outlet box has a green or bare copper ground wire, connect the fixture's ground wire to it. Otherwise, connect the fixture's ground wire directly to the back plate using the green screw provided. After wires are connected, tuck them carefully inside the junction box.

COMPLETING THE INSTALLATION

10. Secure the fixture to the mounting back plate using the mounting screws (D).
 11. For slope ceiling application, rotate swivel at the top of the stem to ensure luminaries are aiming down (Fig.4).
- Note: The fixture exceeds 28lbs, and must be installed using an outlet box U.L. approved for up to 100lbs.

DIMMING WIRING INFORMATION (Fig. 3)

12. This fixture features electronic low voltage (ELV) or 0-10V dimming capabilities. See notes below for specific dimming wires information.
 13. To utilize ELV dimming: use wires black (hot), white (neutral) and bare copper ground wire (ground).
 14. To utilize 0-10V dimming: use wire purple (dim+), pink or gray (dim-), black (hot), white (neutral) and bare copper ground wire (ground).
- NOTE: Make sure to connect 0-10V prior to power-up the fixture in order to allow the 0-10V dimming to function properly.

FIG. 2 Wiring

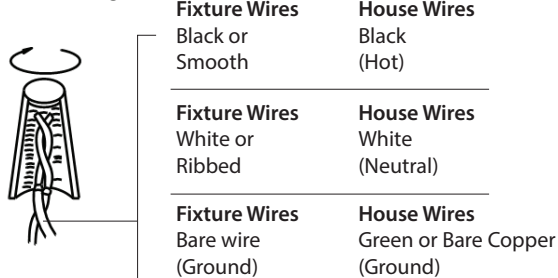


FIG. 3 Driver Wiring

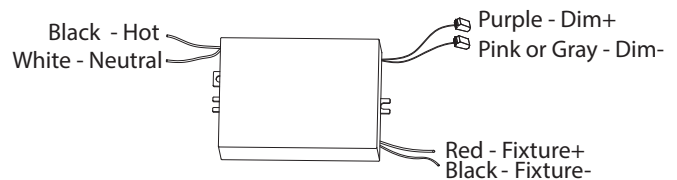
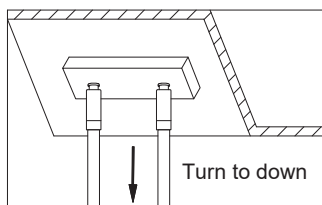
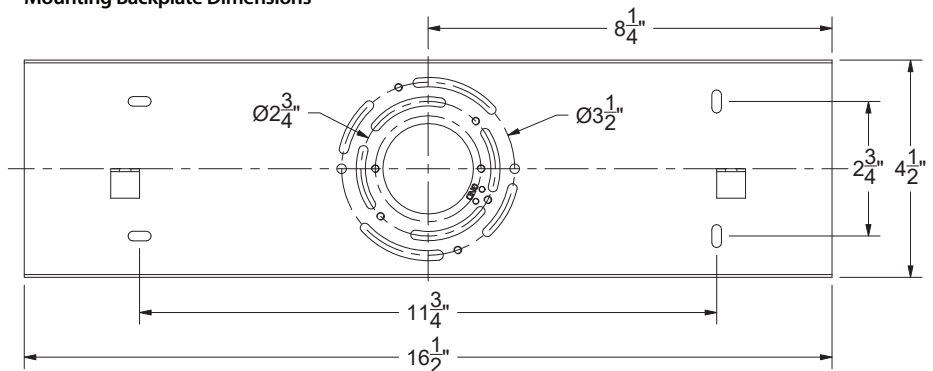


FIG. 4



Mounting Backplate Dimensions



modernforms.com
Phone (800) 526.2588
Fax (800) 526.2585

Headquarters/Eastern Distribution Center
44 Harbor Park Drive
Port Washington, NY 11050

Central Distribution Center
1600 Distribution Ct
Lithia Springs, GA 30122

Western Distribution Center
1750 Archibald Avenue
Ontario, CA 91760

