

# INSTALLATION INSTRUCTIONS

## 723-LED Pendant PD-72316 / PD-72322

# MODERN FORMS

**CAUTION: To prevent electrical shock, ensure electricity has been turned off at the circuit breaker before beginning.**

- Read all instructions before installing.
- System is intended for installation by a licensed electrician in accordance with the National Electrical Code (NEC) and local regulations.
- When handling the fixture, do not apply pressure to the LEDs. Hold the fixture by the base only.
- Retain installation instructions for future maintenance reference.

**WARNING:** All parts must be used as indicated in these instructions. This product is designed for use only with the supplied parts and/or accessories designated for use by Modern Forms. Substitution of parts or accessories not designated for use with this product by Modern Forms could result in personal injury or property damage, and will void the warranty. Contact an authorized dealer or the manufacturer if any parts are damaged or missing.

**MAINTENANCE NOTE:** Coastal conditions may cause mineral and residue build-up on the fixture. We recommend that customers in coastal areas clean all external surfaces of the fixture once every two weeks with a wet cloth.

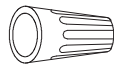
**MISE EN GARDE:** Pour éviter tout choc électrique, assurez-vous que le disjoncteur soit mis hors tension avant de commencer.

- Lisez toutes les instructions avant l'installation.
- Le système doit être installé par un électricien licencié conformément au code national de l'électricité (NEC), et également aux règlements locaux.
- Lors de la manipulation du luminaire, n'appuyez pas sur les LED. Tenez-le uniquement par la base.

**ATTENTION:** Toutes les pièces doivent être utilisées comme indiqué dans ces instructions. Ce produit est conçu pour être utilisé seulement avec les pièces et/ou accessoires fournis pour être utilisés avec les produits Modern Forms. Remplacer des pièces ou accessoires non conçus pour ce produit Modern Forms pourrait causer des dommages corporels ou matériels et pourrait également causer l'annulation de la garantie. Veuillez contacter un revendeur autorisé ou le fabricant si des pièces manquent ou sont endommagées.

**NOTE D'ENTRETIEN:** Les conditions côtières peut causer une accumulation de minéraux et de résidus sur le luminaire. Nous recommandons aux clients qui résident dans les zones côtières de nettoyer toutes les surfaces externes du luminaire une fois toutes les deux semaines avec un chiffon humide.

## HARDWARE



Wire Connector  
Qty: 3pcs+1 Extra



Canopy Screw  
Qty: 1 Extra



Wire Connector P1  
Qty: 3pcs+1 Extra

modernforms.com  
Phone (800) 526.2588  
Fax (800) 526.2585

Headquarters/Eastern Distribution Center  
44 Harbor Park Drive  
Port Washington, NY 11050

Central Distribution Center  
1600 Distribution Ct  
Lithia Springs, GA 30122

Western Distribution Center  
1750 Archibald Avenue  
Ontario, CA 91760

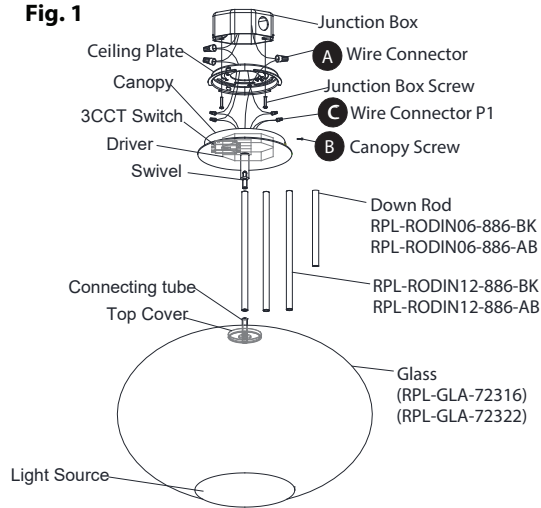


# INSTALLATION INSTRUCTIONS

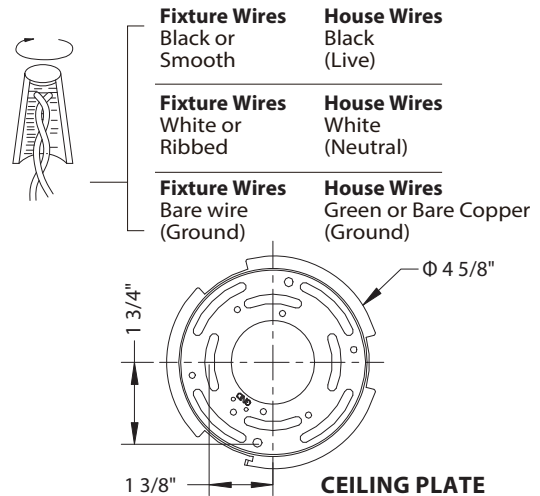
## 723-LED Pendant PD-72316/ PD-72322

# MODERN FORMS

**Fig. 1**



**Fig. 2 Wiring**



### PREPARATION

1. Shut off the power at the circuit breaker and remove existing fixture, including the crossbar.
2. Carefully unpack your new fixture and lay out all the parts in a clear area. Be careful not to lose any small parts necessary for installation.

### MOUNTING THE FIXTURE (Fig. 1)

3. Remove the canopy screw (B) from the ceiling plate.
4. Secure the ceiling plate to the junction box using the original junction box screws.  
Note: (i) It is recommended to use only original junction box screws or replacements provided by junction box manufacturer.  
(ii) The side of the ceiling plate marked "GND" must face out towards the installer.
5. Place the glass over the light source. Secure by tightening the connecting tube and top cover. Choose number of down rods suitable for your application. Thread the fixture wires through the rods, swivel and canopy. Attach the canopy, rods, swivel and fixture body. Ensure all connections are tightened.

**Note:** Due to limited space within the canopy, shorten the wires as necessary to make the installation easier. Make sure to identify and label all the wiring properly (Fig. 3) before any trimming/shortening.

**Warning:** Modifying the fixture may result in voiding the warranty of the product. Only licensed persons should trim cables and perform rewiring.

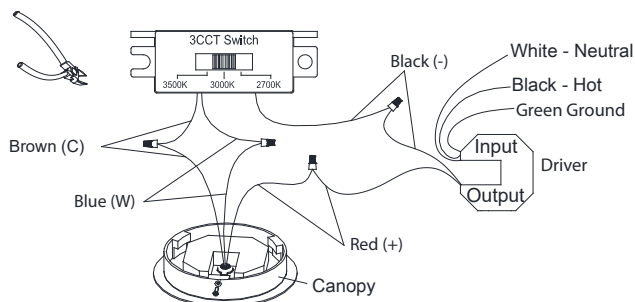
### WIRING FIXTURE (Fig. 2, Fig. 3, Fig. 4)

6. Connect the fixture, 3CCT switch, and driver's output wires as shown in Fig. 3. Brown to brown, blue to blue, red to red, and black to black. Ensure wire connectors are secure. Set color temperature at this stage. The fixture can switch between three color temperatures (2700k, 3000k, 3500k), which can be adjusted to your preference using the 3CCT switches (Fig. 3) mounted on the canopy.
7. Connect the driver's input wires to junction box wires as shown in Fig. 2. Ensure wire connectors are secure. Connect the fixture's ground wire to the ground in the junction box; this will be either a green wire or a bare copper wire. After driver is wired to house wires, tuck wires carefully inside the junction box.

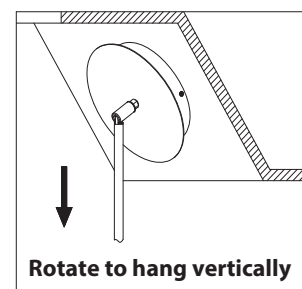
### COMPLETING THE INSTALLATION

8. Secure the fixture to the ceiling plate using the canopy screw (B).
9. For a sloped ceiling application, rotate swivels at the top of the stems to ensure fixture is hanging vertically (Fig. 4).

**Fig.3**



**Fig.4**



modernforms.com  
Phone (800) 526.2588  
Fax (800) 526.2585

Headquarters/Eastern Distribution Center  
44 Harbor Park Drive  
Port Washington, NY 11050

Central Distribution Center  
1600 Distribution Ct  
Lithia Springs, GA 30122

Western Distribution Center  
1750 Archibald Avenue  
Ontario, CA 91760

