

# INSTALLATION INSTRUCTION

## 208-LED Pendant

PD-64861



MODERN FORMS  
A WAC LIGHTING COMPANY

### WARNING

#### IMPORTANT: NEVER attempt any work without shutting off the electricity.

- Read all instructions before installing.
- System is intended to be installed by a qualified electrician in accordance with the National Electrical Code and local regulations.
- Place the main power switch in the "OFF" position and remove the fuse(s) or switch "OFF" the circuit breakers which control the power to the fixture or room that you are working on.
- Place the wall switch in the "OFF" position.

### CAUTION

- All parts must be used as indicated in these instructions. Do not substitute any parts, leave parts out, or use any parts that are worn out or broken. Failure to follow this instruction could invalidate the ETL/CETL listing of this fixture.

**CAUTION** When handling the fixture, do not apply pressure to the LEDs. Hold the fixture by the base only.

### AVERTISSEMENT

#### IMPORTANT : Coupez l'électricité avant TOUTE manipulation.

- Lisez toutes les instructions avant d'installer.
- Système est destiné à être installé par un électricien qualifié en conformité avec le code national de l'électricité et les règlements locaux.
- Accédez au panneau central de disjoncteurs ou de fusibles de votre demeure et placez l'interrupteur principal en position d'arrêt (« OFF »).
- Placez l'interrupteur mural en position d'arrêt (« OFF »).

### MISE EN GARDE

- Toutes les pièces doivent être utilisées tel qu'il est indiqué dans ces instructions. Ne remplacez pas les pièces, n'en laissez pas de côté et ne les utilisez pas si elles sont usées ou brisées. Le non-respect de ces instructions peut annuler l'homologation ETL/CETL du luminaire.

### MISE EN GARDE

Ors de la manipulation de l'appareil, ne pas appliquer de pression à la LED, tenir l'appareil par la seule base.

### ADVERTENCIA

#### IMPORTANTE: NUNCA intente hacer trabajos sin desconectar el suministro eléctrico.

- Lea y comprenda todas las instrucciones e ilustraciones por completo antes de proceder con el ensamblaje e instalación de esta lámpara.
- Sistema está diseñado para ser instalado por un electricista calificado, de acuerdo con el código eléctrico nacional y las normas locales.
- Diríjase a la caja de fusibles o a la caja del interruptor de circuito principal en su hogar. Coloque el interruptor de alimentación principal en la posición "OFF" (APAGADO).
- Coloque el interruptor de la pared en la posición "OFF" (APAGADO).

### PRECAUCIÓN

- Todas las piezas deben usarse como lo indican estas instrucciones. No reemplace las piezas, no omita piezas durante la instalación ni utilice piezas gastadas o rotas. El incumplimiento de esta indicación podría invalidar la calificación ETL/CETL esta lámpara.

**PRECAUCIÓN** Al manipular el aparato, no aplique presión a los LED, mantenga el aparato en la base sólo.

## Hardware

A



Wire Connector  
Qty: 3pcs+1Extra  
7EAC112201  
P3

B



Junction Box Screw  
Qty: 2pcs+1 extra  
7MPF0415C2  
#8-32x5/8 SS

C



Mounting Screw  
Qty: 3pcs+1 extra  
7MPF0412S1 (AL)  
7MPF0412S1BK (BK)  
4MPF0412S2BB1 (AB)  
5/32-32x1/2

D



Plastic Anchor  
Qty: 3pcs+1 extra  
7TDD082401

E



Wood Screw  
Qty: 3pcs+1 extra  
7MPF2204J2

F



Iron hexagon nuts  
Qty: 8pcs+1 extra  
7MPM080401ZN (AL)  
7MPM080401BK (BK)  
7MPM080401BB (AB)  
M8x1

G



hexagon nuts  
Qty: 4pcs+1 extra  
7MPM0904C1  
1/8-27x1/8

H



Gasket  
Qty: 4pcs+1 extra  
7MPH1610A1

I



nuts  
Qty: 8pcs+1 extra  
4MBA161208BA (AL)  
4MBA161208BK (BK)  
4MBA161208BB2 (AB)

Modern Forms

[www.modernforms.com](http://www.modernforms.com)

Phone (800) 526.2588 • Fax (800) 526.2585

Headquarters/Eastern Distribution Center

44 Harbor Park Drive • Port Washington, NY 11050

Phone (516) 515.5000 • Fax (516) 515.5050

Western Distribution Center

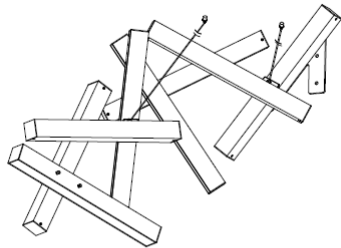
1750 Archibald Ave • Ontario, CA 91761

Phone (800) 526.2588 • Fax (800) 526.2585



INSTALLATION INSTRUCTION  
**208-LED Pendant**  
 PD-64861

**Fig. 1**

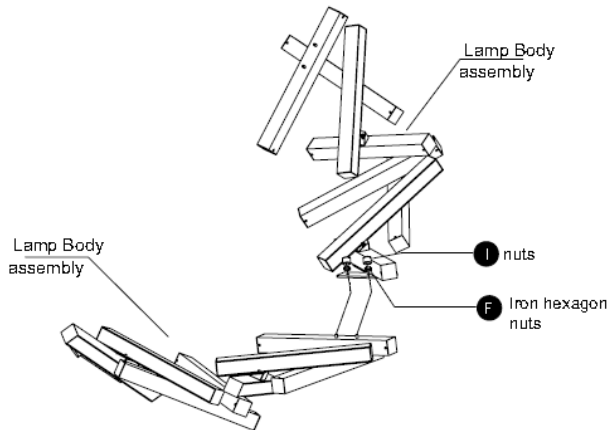


Lamp Body assembly  
 QTY:4pcs

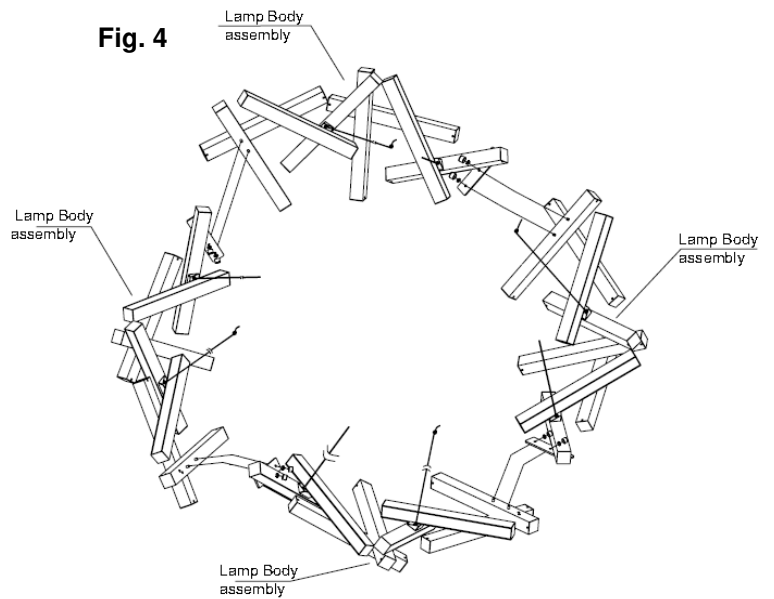


Lamp canopy  
 QTY:1pcs

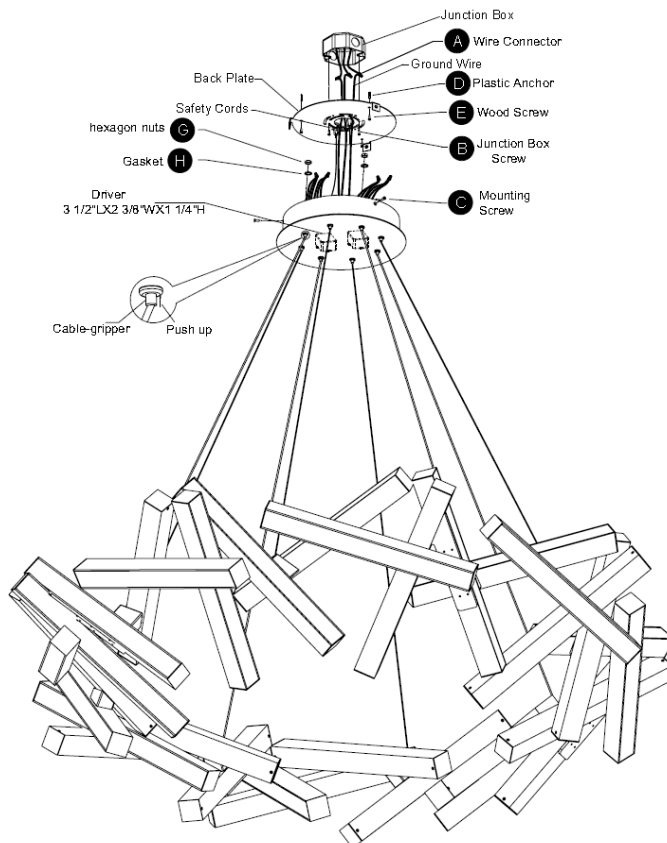
**Fig. 3**



**Fig. 4**



**Fig. 5**



**Modern Forms**  
[www.modernforms.com](http://www.modernforms.com)  
 Phone (800) 526.2588 • Fax (800) 526.2585

**Headquarters/Eastern Distribution Center**  
 44 Harbor Park Drive • Port Washington, NY 11050  
 Phone (516) 515.5000 • Fax (516) 515.5050

**Western Distribution Center**  
 1750 Archibald Ave • Ontario, CA 91761  
 Phone (800) 526.2588 • Fax (800) 526.2585



### PREPARATION

1. Shut off the power at the circuit breaker and remove existing fixture, including the crossbar.
2. Carefully unpack your new fixture and lay out all the parts on a clear area. Be careful not to lose any small parts necessary for installation.

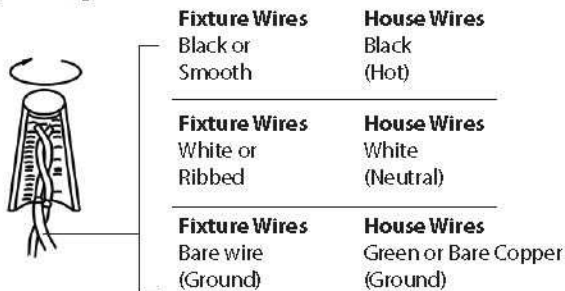
### MOUNTING THE FIXTURE (Fig. 1)

3. Remove the mounting screw (C) from the fixture.
4. Drill holes in the wall aligned with the key holes located in the mounting back plate, insert the plastic anchor (D).
5. Secure back plate to the junction box using junction box screws (B), fasten it to the wall using wood screw (E). The side of the mounting plate marked "GND" must face out.
6. Connect the two lamp body components with hexagon nuts (F) and nuts (I) (Fig. 3).
7. Then, in turn the third, the fourth Lamp body assembly, after installed, like a circle (Fig. 4).
8. Steel cable through the Lamp canopy cable-grripper. Then braided wire line buckle through the gasket (G) and (H) hexagonal nut fastening at the Lamp canopy
9. Braided wire can be divided into two groups, the total of two groups, one group connection one drive with wire connectors (A), another group connection another drive with wire connectors (A);.
10. Adjust the fixture wire length by pushing the cable gripper on the canopy and pulling the wire as desired.

### CONNECTING THE WIRES (Fig. 2)

11. Connect the driver input wires with junction box wires as shown in Fig.2, making sure that all wire connectors (A) are secured. If your outlet box has a green or bare copper ground wire, connect the fixture's ground wire to it. Otherwise, connect the fixture's ground wire directly to the mounting plate using the green screw provided. After wires are connected, tuck them carefully inside the junction box.
12. Hook the four safety cords to the back plate. .
13. Place the fixture over the back plate and secure it with mounting screws (C) .

Fig.2 Wiring



Back Plate Dimensions  
 7MBC252008

