

# INSTALLATION INSTRUCTION

## 418 - LED Pendant

PD-41803R



MODERN FORMS  
A WAC LIGHTING COMPANY

### WARNING

IMPORTANT: NEVER attempt any work without shutting off the electricity.

- Read all instructions before installing.
- System is intended for installation by a qualified electrician in accordance with the National Electrical Code and local regulations.
- Go to the main fuse box, or circuit breaker. Place the main power switch in the "OFF" position and unscrew the fuse(s) or switch "OFF" the circuit breaker switch(es) that control the power to the fixture or room that you are working on.
- Place the wall switch in the "OFF" position.

### CAUTION

- All parts must be used as indicated in these instructions. Do not substitute any parts, leave parts out, or use any parts that are worn out or broken. Failure to follow this instruction could invalidate the ETL/CETL listing of this fixture.  
CAUTION When handling the fixture, do not apply pressure to the LEDs. Hold the fixture by the base only.

### AVERTISSEMENT

IMPORTANT : Coupez l'électricité avant TOUTE manipulation.

- Lisez toutes les instructions avant d'installer.
- Système est destiné à être installé par un électricien qualifié en conformité avec le code national de l'électricité et les règlements locaux.
- Accédez au panneau central de disjoncteurs ou de fusibles de votre demeure et placez l'interrupteur principal en position d'arrêt (« OFF »).
- Placez l'interrupteur mural en position d'arrêt (« OFF »).

### MISE EN GARDE

- Toutes les pièces doivent être utilisées tel qu'il est indiqué dans ces instructions. Ne remplacez pas les pièces, n'en laissez pas de côté et ne les utilisez pas si elles sont usées ou brisées. Le non-respect de ces instructions peut annuler l'homologation ETL/CETL du luminaire. MISE EN GARDE Ors de la manipulation de l'appareil, ne pas appliquer de pression à la LED, tenir l'appareil par la seule base.

### ADVERTENCIA

IMPORTANTE: NUNCA intente hacer trabajos sin desconectar el suministro eléctrico.

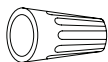
- Lea y comprenda todas las instrucciones e ilustraciones por completo antes de proceder con el ensamblaje e instalación de esta lámpara.
- Sistema está diseñado para ser instalado por un electricista calificado, de acuerdo con el código eléctrico nacional y las normas locales.
- Diríjase a la caja de fusibles o a la caja del interruptor de circuito principal en su hogar. Coloque el interruptor de alimentación principal en la posición "OFF" (APAGADO).
- Coloque el interruptor de la pared en la posición "OFF" (APAGADO).

### PRECAUCIÓN

- Todas las piezas deben usarse como lo indican estas instrucciones. No reemplace las piezas, no omita piezas durante la instalación ni utilice piezas gastadas o rotas. El incumplimiento de esta indicación podría invalidar la calificación ETL/CETL esta lámpara. PRECAUCIÓN Al manipular el aparato, no aplique presión a los LED, mantenga el aparato en la base sólo.

## HARDWARE

A1



Wire Connector  
Qty: 3 pcs + 1 Extra  
7EAC112201

B1



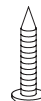
Junction Box Screw  
Qty: 2 pcs + 1 Extra  
7MPF0415C2  
#8-32x9/16

C1



Mounting Screw  
Qty: 1 Extra  
7MPF0406C3  
5/32"-32X1/4  
Nickel Plating

D1



Wood Screw  
Qty: 3 pcs + 1 Extra  
7MPF2204J2  
Ø4x22mm  
Nickel Plating

E1



Plastic Anchor  
Qty: 3 pcs + 1 Extra  
7TDD082401

### Modern Forms

www.modernforms.com  
Phone (800) 526.2588 • Fax (800) 526.2585

### Headquarters/Eastern Distribution Center

44 Harbor Park Drive • Port Washington, NY 11050  
Phone (516) 515.5000 • Fax (516) 515.5050

### Western Distribution Center

1750 Archibald Ave • Ontario, CA 91761  
Phone (800) 526.2588 • Fax (800) 526.2585



# INSTALLATION INSTRUCTION

## 418 - LED Pendant

PD-41803R



**MODERN FORMS**  
A WAC LIGHTING COMPANY

### PREPARATION

1. Shut off the power at the circuit breaker and remove existing fixture, including the crossbar.
2. Carefully unpack your new fixture and lay out all the parts on a clear area. Be careful not to lose any small parts necessary for installation.

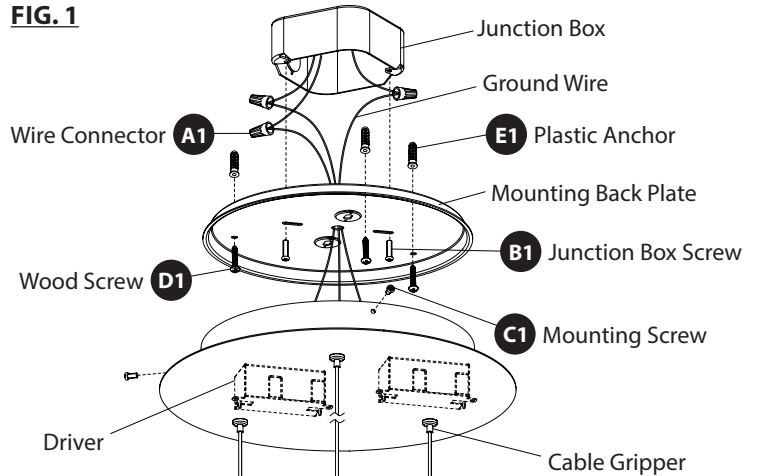
### CONNECTING THE WIRES (Fig. 2)

3. Remove the mounting screws (C1) from the fixture.
4. Install the mounting back plate to the junction box using junction box screws (B1)
5. Mark the three wood screw mounting holes on the ceiling, remove mounting back plate, drill holes and insert the three plastic anchors (E1)
6. Adjust the fixture wire length by pushing the cable gripper on the canopy and pulling the wire as desired. (see Fig. 3 for recommended length)
7. Connect the driver input wires with supply wires as shown in Fig. 2, making sure that all wire connectors (A1) are secured. If your outlet box has a green or bare copper ground wire, connect the fixture's ground wire to it. Otherwise, connect the fixture's ground wire directly to the mounting plate using the green screw provided. After wires are connected, tuck them carefully inside the junction box.

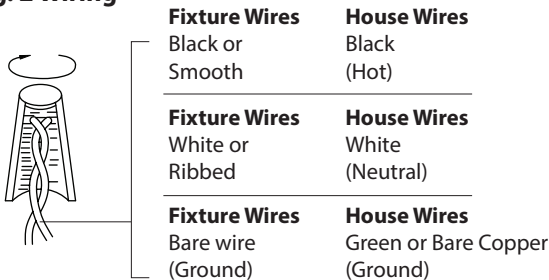
### MOUNTING THE FIXTURE (Fig. 1)

8. Install mounting plate back to the junction box using junction box screws (B1), fasten it to the ceiling using the three wood screws (D1). The side of the mounting plate marked "GND" must face out.
9. Push the fixture onto the mounting back plate, and secure it with mounting screws (C1).

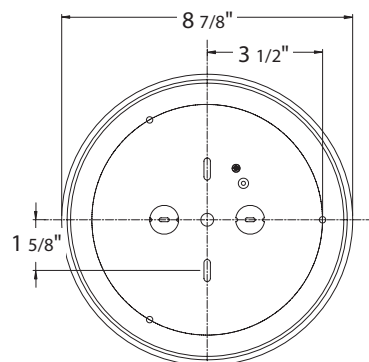
**FIG. 1**



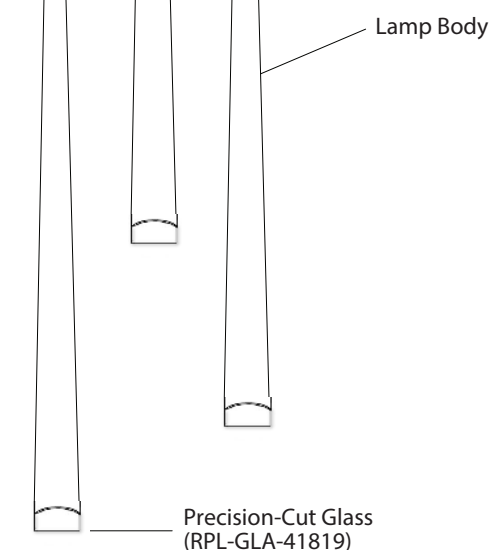
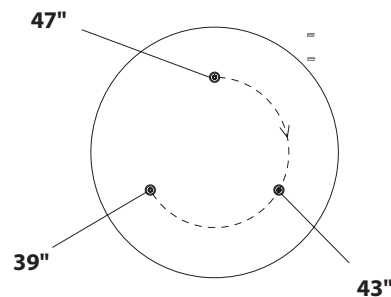
**Fig. 2 Wiring**



**Back Plate Dimensions**



**Fig 3: Recommended length**



**Modern Forms**  
www.modernforms.com  
Phone (800) 526.2588 • Fax (800) 526.2585

**Headquarters/Eastern Distribution Center**  
44 Harbor Park Drive • Port Washington, NY 11050  
Phone (516) 515.5000 • Fax (516) 515.5050

**Western Distribution Center**  
1750 Archibald Ave • Ontario, CA 91761  
Phone (800) 526.2588 • Fax (800) 526.2585



# INSTALLATION INSTRUCTION

## Cascade - LED Pendant (5 Lights)

### PD-41805R



#### WARNING

IMPORTANT: NEVER attempt any work without shutting off the electricity.

- Read all instructions before installing.
- System is intended for installation by a qualified electrician in accordance with the National Electrical Code and local regulations.
- Go to the main fuse box, or circuit breaker. Place the main power switch in the "OFF" position and unscrew the fuse(s) or switch "OFF" the circuit breaker switch(es) that control the power to the fixture or room that you are working on.
- Place the wall switch in the "OFF" position.

#### CAUTION

- All parts must be used as indicated in these instructions. Do not substitute any parts, leave parts out, or use any parts that are worn out or broken. Failure to follow this instruction could invalidate the ETL/CETL listing of this fixture.
- CAUTION When handling the fixture, do not apply pressure to the LEDs. Hold the fixture by the base only.

#### AVERTISSEMENT

IMPORTANT : Coupez l'électricité avant TOUTE manipulation.

- Lisez toutes les instructions avant d'installer.
- Système est destiné à être installé par un électricien qualifié en conformité avec le code national de l'électricité et les règlements locaux.
- Accédez au panneau central de disjoncteurs ou de fusibles de votre demeure et placez l'interrupteur principal en position d'arrêt (« OFF »).
- Placez l'interrupteur mural en position d'arrêt (« OFF »).

#### MISE EN GARDE

- Toutes les pièces doivent être utilisées tel qu'il est indiqué dans ces instructions. Ne remplacez pas les pièces, n'en laissez pas de côté et ne les utilisez pas si elles sont usées ou brisées. Le non-respect de ces instructions peut annuler l'homologation ETL/CETL du luminaire. MISE EN GARDE Ors de la manipulation de l'appareil, ne pas appliquer de pression à la LED, tenir l'appareil par la seule base.

#### ADVERTENCIA

IMPORTANTE: NUNCA intente hacer trabajos sin desconectar el suministro eléctrico.

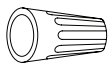
- Lea y comprenda todas las instrucciones e ilustraciones por completo antes de proceder con el ensamblaje e instalación de esta lámpara.
- Sistema está diseñado para ser instalado por un electricista calificado, de acuerdo con el código eléctrico nacional y las normas locales.
- Diríjase a la caja de fusibles o a la caja del interruptor de circuito principal en su hogar. Coloque el interruptor de alimentación principal en la posición "OFF" (APAGADO).
- Coloque el interruptor de la pared en la posición "OFF" (APAGADO).

#### PRECAUCIÓN

- Todas las piezas deben usarse como lo indican estas instrucciones. No reemplace las piezas, no omita piezas durante la instalación ni utilice piezas gastadas o rotas. El incumplimiento de esta indicación podría invalidar la calificación ETL/CETL esta lámpara. PRECAUCIÓN Al manipular el aparato, no aplique presión a los LED, mantenga el aparato en la base sólo.

#### HARDWARE

A1



Wire Connector  
Qty: 3 pcs + 1 Extra  
7EAC112201

B1



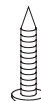
Junction Box Screw  
Qty: 2 pcs + 1 Extra  
7MPF0415C2  
#8-32x9/16

C1



Mounting Screw  
Qty: 1 Extra  
7MPF0406C3  
5/32"-32X1/4  
Nickel Plating

D1



Wood Screw  
Qty: 3 pcs + 1 Extra  
7MPF2204J2  
Ø4x22mm  
Nickel Plating

E1



Plastic Anchor  
Qty: 3 pcs + 1 Extra  
7TDD082401

modernforms.com  
Phone (800) 526.2588  
Fax (800) 526.2585

Headquarters/Eastern Distribution Center  
44 Harbor Park Drive  
Port Washington, NY 11050

Central Distribution Center  
1600 Distribution Ct  
Lithia Springs, GA 30122

Western Distribution Center  
1750 Archibald Avenue  
Ontario, CA 91760



**INSTALLATION INSTRUCTION**  
**Cascade - LED Pendant (5 Lights)**  
 PD-41805R



**PREPARATION**

1. Shut off the power at the circuit breaker and remove existing fixture, including the crossbar.
2. Carefully unpack your new fixture and lay out all the parts on a clear area. Be careful not to lose any small parts necessary for installation.

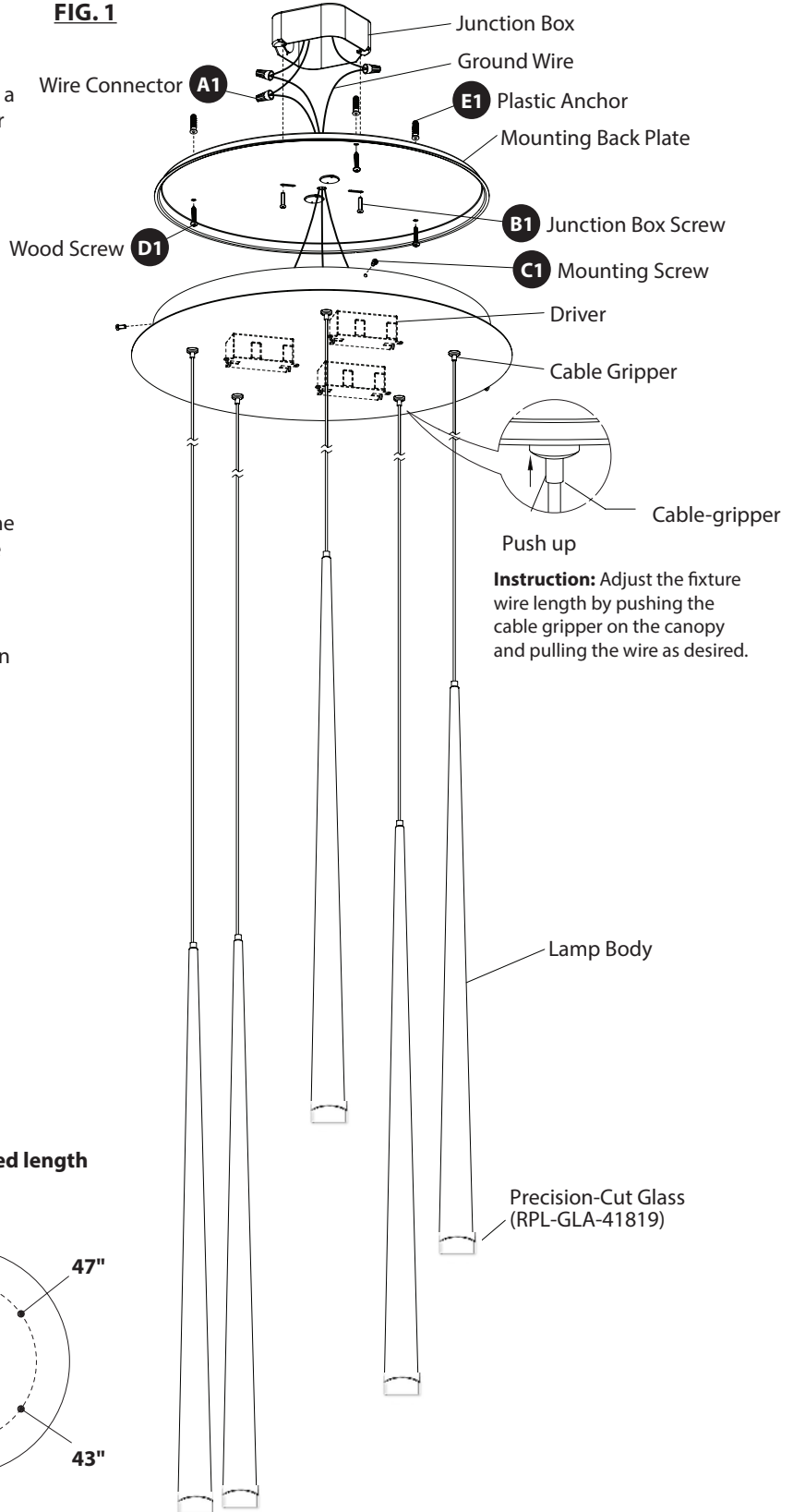
**CONNECTING THE WIRES** (Fig. 2)

3. Remove the mounting screws (C1) from the fixture.
4. Install the mounting back plate to the junction box using junction box screws (B1)
5. Mark the three wood screw mounting holes on the ceiling, remove mounting back plate, drill holes and insert the three plastic anchors (E1)
6. Adjust the fixture wire length by pushing the cable gripper on the canopy and pulling the wire as desired. (see Fig. 3 for recommended length)
7. Connect the driver input wires with supply wires as shown in Fig. 2, making sure that all wire connectors (A1) are secured. If your outlet box has a green or bare copper ground wire, connect the fixture's ground wire to it. Otherwise, connect the fixture's ground wire directly to the mounting plate using the green screw provided. After wires are connected, tuck them carefully inside the junction box.

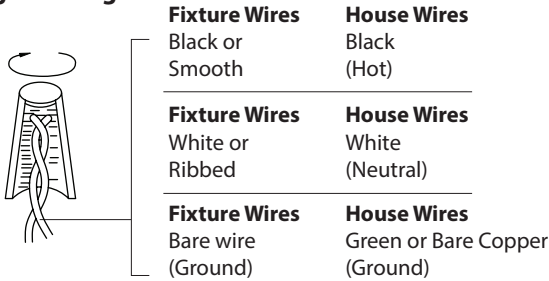
**MOUNTING THE FIXTURE** (Fig. 1)

8. Install mounting plate back to the junction box using junction box screws (B1), fasten it to the ceiling using the three wood screws (D1). The side of the mounting plate marked "GND" must face out.
9. Push the fixture onto the mounting back plate, and secure it with mounting screws (C1).

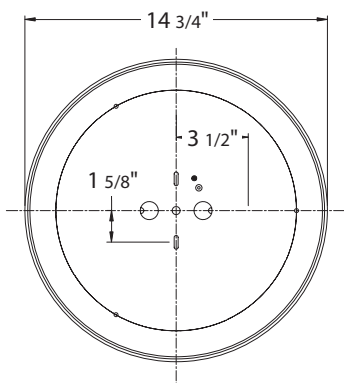
**FIG. 1**



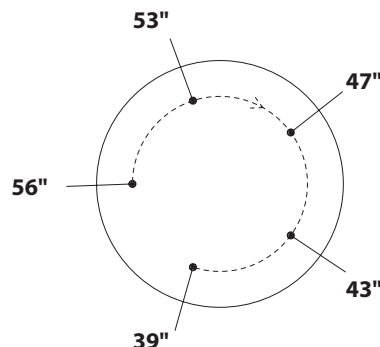
**Fig. 2 Wiring**



**Back Plate Dimensions**



**Fig 3: Recommended length**



modernforms.com  
 Phone (800) 526.2588  
 Fax (800) 526.2585

Headquarters/Eastern Distribution Center  
 44 Harbor Park Drive  
 Port Washington, NY 11050

Central Distribution Center  
 1600 Distribution Ct  
 Lithia Springs, GA 30122

Western Distribution Center  
 1750 Archibald Avenue  
 Ontario, CA 91760



# INSTALLATION INSTRUCTION

## Cascade - LED Pendant (9 Lights)

### PD-41809R



#### WARNING

IMPORTANT: NEVER attempt any work without shutting off the electricity.

- Read all instructions before installing.
- System is intended for installation by a qualified electrician in accordance with the National Electrical Code and local regulations.
- Go to the main fuse box, or circuit breaker. Place the main power switch in the "OFF" position and unscrew the fuse(s) or switch "OFF" the circuit breaker switch(es) that control the power to the fixture or room that you are working on.
- Place the wall switch in the "OFF" position.

#### CAUTION

- All parts must be used as indicated in these instructions. Do not substitute any parts, leave parts out, or use any parts that are worn out or broken. Failure to follow this instruction could invalidate the ETL/CETL listing of this fixture.  
CAUTION When handling the fixture, do not apply pressure to the LEDs. Hold the fixture by the base only.

#### AVERTISSEMENT

IMPORTANT : Coupez l'électricité avant TOUTE manipulation.

- Lisez toutes les instructions avant d'installer.
- Système est destiné à être installé par un électricien qualifié en conformité avec le code national de l'électricité et les règlements locaux.
- Accédez au panneau central de disjoncteurs ou de fusibles de votre demeure et placez l'interrupteur principal en position d'arrêt (« OFF »).
- Placez l'interrupteur mural en position d'arrêt (« OFF »).

#### MISE EN GARDE

- Toutes les pièces doivent être utilisées tel qu'il est indiqué dans ces instructions. Ne remplacez pas les pièces, n'en laissez pas de côté et ne les utilisez pas si elles sont usées ou brisées. Le non-respect de ces instructions peut annuler l'homologation ETL/CETL du luminaire. MISE EN GARDE Ors de la manipulation de l'appareil, ne pas appliquer de pression à la LED, tenir l'appareil par la seule base.

#### ADVERTENCIA

IMPORTANTE: NUNCA intente hacer trabajos sin desconectar el suministro eléctrico.

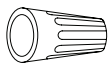
- Lea y comprenda todas las instrucciones e ilustraciones por completo antes de proceder con el ensamblaje e instalación de esta lámpara.
- Sistema está diseñado para ser instalado por un electricista calificado, de acuerdo con el código eléctrico nacional y las normas locales.
- Diríjase a la caja de fusibles o a la caja del interruptor de circuito principal en su hogar. Coloque el interruptor de alimentación principal en la posición "OFF" (APAGADO).
- Coloque el interruptor de la pared en la posición "OFF" (APAGADO).

#### PRECAUCIÓN

- Todas las piezas deben usarse como lo indican estas instrucciones. No reemplace las piezas, no omita piezas durante la instalación ni utilice piezas gastadas o rotas. El incumplimiento de esta indicación podría invalidar la calificación ETL/CETL esta lámpara. PRECAUCIÓN Al manipular el aparato, no aplique presión a los LED, mantenga el aparato en la base sólo.

#### HARDWARE

A1



Wire Connector  
Qty: 3 pcs + 1 Extra  
7EAC112201

B1



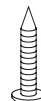
Junction Box Screw  
Qty: 2 pcs + 1 Extra  
7MPF0415C2  
#8-32x9/16

C1



Mounting Screw  
Qty: 1 Extra  
7MPF0406C3  
5/32"-32X1/4  
Nickel Plating

D1



Wood Screw  
Qty: 3 pcs + 1 Extra  
7MPF2204J2  
Ø4x22mm  
Nickel Plating

E1



Plastic Anchor  
Qty: 3 pcs + 1 Extra  
7TDD082401

modernforms.com  
Phone (800) 526.2588  
Fax (800) 526.2585

Headquarters/Eastern Distribution Center  
44 Harbor Park Drive  
Port Washington, NY 11050

Central Distribution Center  
1600 Distribution Ct  
Lithia Springs, GA 30122

Western Distribution Center  
1750 Archibald Avenue  
Ontario, CA 91760



# INSTALLATION INSTRUCTION

## Cascade - LED Pendant (9 Lights)

### PD-41709R



#### PREPARATION

1. Shut off the power at the circuit breaker and remove existing fixture, including the crossbar.
2. Carefully unpack your new fixture and lay out all the parts on a clear area. Be careful not to lose any small parts necessary for installation.

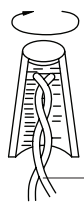
#### CONNECTING THE WIRES (Fig. 2)

3. Remove the mounting screws (C1) from the fixture.
4. Install the mounting back plate to the junction box using junction box screws (B1)
5. Mark the three wood screw mounting holes on the ceiling, remove mounting back plate, drill holes and insert the three plastic anchors (E1)
6. Adjust the fixture wire length by pushing the cable gripper on the canopy and pulling the wire as desired. (see Fig. 3 for recommended length)
7. Connect the driver input wires with supply wires as shown in Fig. 2, making sure that all wire connectors (A1) are secured. If your outlet box has a green or bare copper ground wire, connect the fixture's ground wire to it. Otherwise, connect the fixture's ground wire directly to the mounting plate using the green screw provided. After wires are connected, tuck them carefully inside the junction box.

#### MOUNTING THE FIXTURE (Fig. 1)

8. Install mounting plate back to the junction box using junction box screws (B1), fasten it to the ceiling using the three wood screws (D1). The side of the mounting plate marked "GND" must face out.
9. Push the fixture onto the mounting back plate, and secure it with mounting screws (C1).

Fig. 2 Wiring



Fixture Wires	House Wires
Black or Smooth	Black (Hot)
White or Ribbed	White (Neutral)
Bare wire (Ground)	Green or Bare Copper (Ground)

Back Plate Dimensions

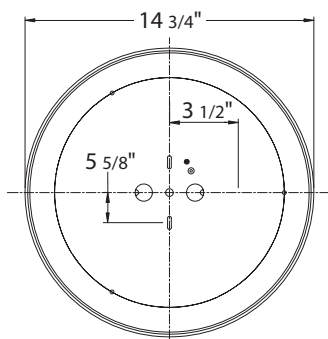


Fig 3: Recommended length

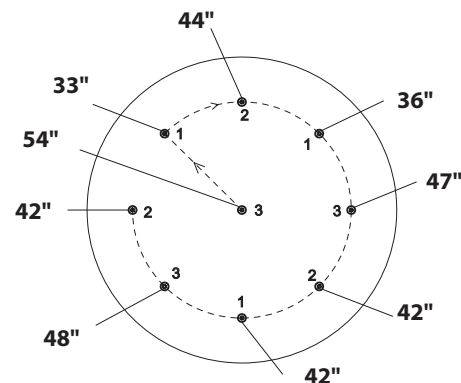
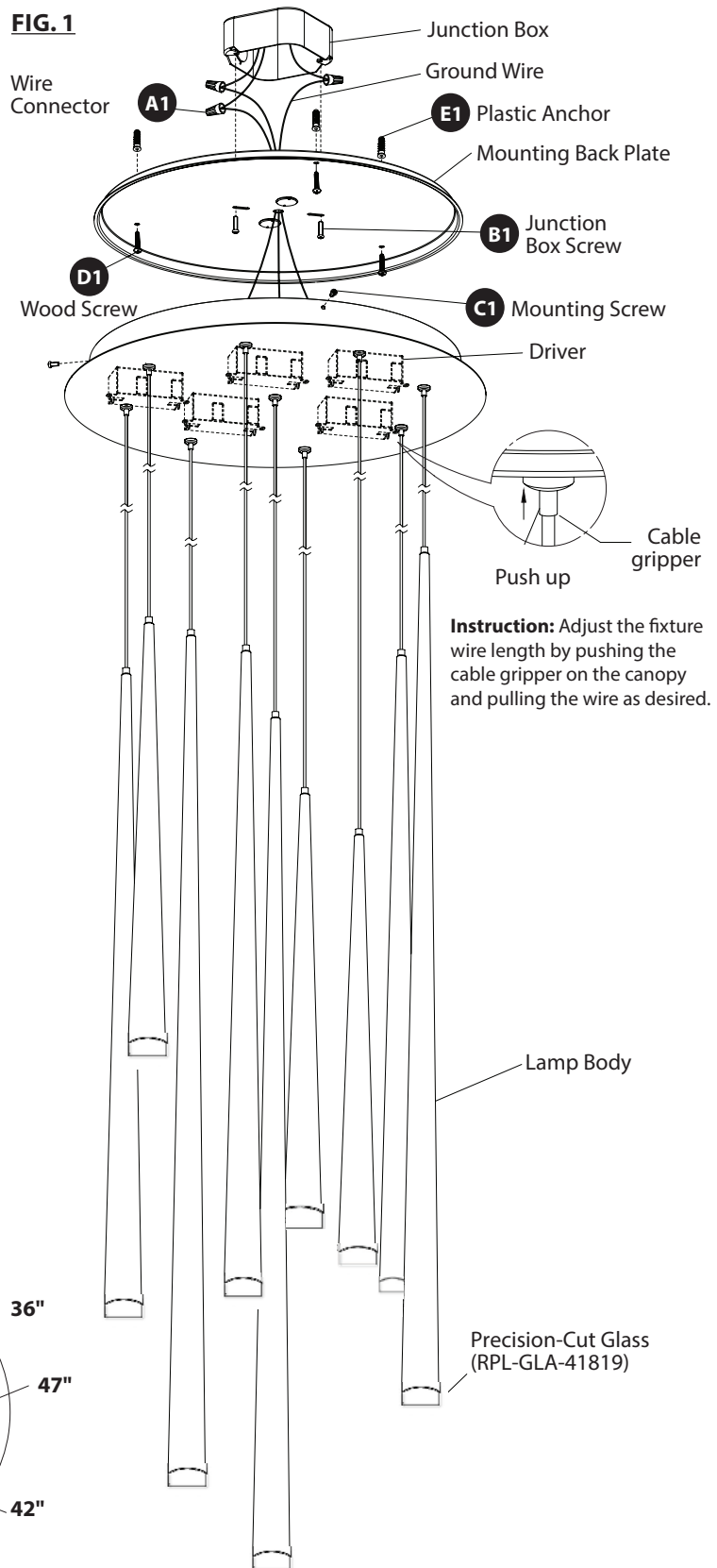


FIG. 1



modernforms.com  
Phone (800) 526.2588  
Fax (800) 526.2585

Headquarters/Eastern Distribution Center  
44 Harbor Park Drive  
Port Washington, NY 11050

Central Distribution Center  
1600 Distribution Ct  
Lithia Springs, GA 30122

Western Distribution Center  
1750 Archibald Avenue  
Ontario, CA 91760



# INSTALLATION INSTRUCTION

## Cascade - LED Pendant (15 Lights)

### PD-41715R



#### WARNING

IMPORTANT: NEVER attempt any work without shutting off the electricity.

- Read all instructions before installing.
- System is intended for installation by a qualified electrician in accordance with the National Electrical Code and local regulations.
- Go to the main fuse box, or circuit breaker. Place the main power switch in the "OFF" position and unscrew the fuse(s) or switch "OFF" the circuit breaker switch(es) that control the power to the fixture or room that you are working on.
- Place the wall switch in the "OFF" position.

#### CAUTION

- All parts must be used as indicated in these instructions. Do not substitute any parts, leave parts out, or use any parts that are worn out or broken. Failure to follow this instruction could invalidate the ETL/CETL listing of this fixture.
- CAUTION When handling the fixture, do not apply pressure to the LEDs. Hold the fixture by the base only.

#### AVERTISSEMENT

IMPORTANT : Coupez l'électricité avant TOUTE manipulation.

- Lisez toutes les instructions avant d'installer.
- Système est destiné à être installé par un électricien qualifié en conformité avec le code national de l'électricité et les règlements locaux.
- Accédez au panneau central de disjoncteurs ou de fusibles de votre demeure et placez l'interrupteur principal en position d'arrêt (« OFF »).
- Placez l'interrupteur mural en position d'arrêt (« OFF »).

#### MISE EN GARDE

- Toutes les pièces doivent être utilisées tel qu'il est indiqué dans ces instructions. Ne remplacez pas les pièces, n'en laissez pas de côté et ne les utilisez pas si elles sont usées ou brisées. Le non-respect de ces instructions peut annuler l'homologation ETL/CETL du luminaire. MISE EN GARDE Ors de la manipulation de l'appareil, ne pas appliquer de pression à la LED, tenir l'appareil par la seule base.

#### ADVERTENCIA

IMPORTANTE: NUNCA intente hacer trabajos sin desconectar el suministro eléctrico.

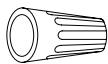
- Lea y comprenda todas las instrucciones e ilustraciones por completo antes de proceder con el ensamblaje e instalación de esta lámpara.
- Sistema está diseñado para ser instalado por un electricista calificado, de acuerdo con el código eléctrico nacional y las normas locales.
- Diríjase a la caja de fusibles o a la caja del interruptor de circuito principal en su hogar. Coloque el interruptor de alimentación principal en la posición "OFF" (APAGADO).
- Coloque el interruptor de la pared en la posición "OFF" (APAGADO).

#### PRECAUCIÓN

- Todas las piezas deben usarse como lo indican estas instrucciones. No reemplace las piezas, no omita piezas durante la instalación ni utilice piezas gastadas o rotas. El incumplimiento de esta indicación podría invalidar la calificación ETL/CETL esta lámpara. PRECAUCIÓN Al manipular el aparato, no aplique presión a los LED, mantenga el aparato en la base sólo.

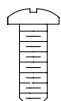
#### HARDWARE

A1



Wire Connector  
Qty: 3 pcs + 1 Extra  
7EAC112201

B1



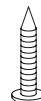
Junction Box Screw  
Qty: 2 pcs + 1 Extra  
7MPF0415C2  
#8-32x9/16

C1



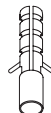
Mounting Screw  
Qty: 1 Extra  
7MPF0412C1  
5/32"-32X1/2  
Nickel Plating

D1



Wood Screw  
Qty: 6 pcs + 1 Extra  
7MPF2204J2  
Ø4x22mm  
Nickel Plating

E1



Plastic Anchor  
Qty: 6 pcs + 1 Extra  
7TDD082401

modernforms.com  
Phone (800) 526.2588  
Fax (800) 526.2585

Headquarters/Eastern Distribution Center  
44 Harbor Park Drive  
Port Washington, NY 11050

Central Distribution Center  
1600 Distribution Ct  
Lithia Springs, GA 30122

Western Distribution Center  
1750 Archibald Avenue  
Ontario, CA 91760



**INSTALLATION INSTRUCTION**  
**Cascade - LED Pendant (15 Lights)**  
 PD-41815R



**PREPARATION**

1. Shut off the power at the circuit breaker and remove existing fixture, including the crossbar.
2. Carefully unpack your new fixture and lay out all the parts on a clear area. Be careful not to lose any small parts necessary for installation.

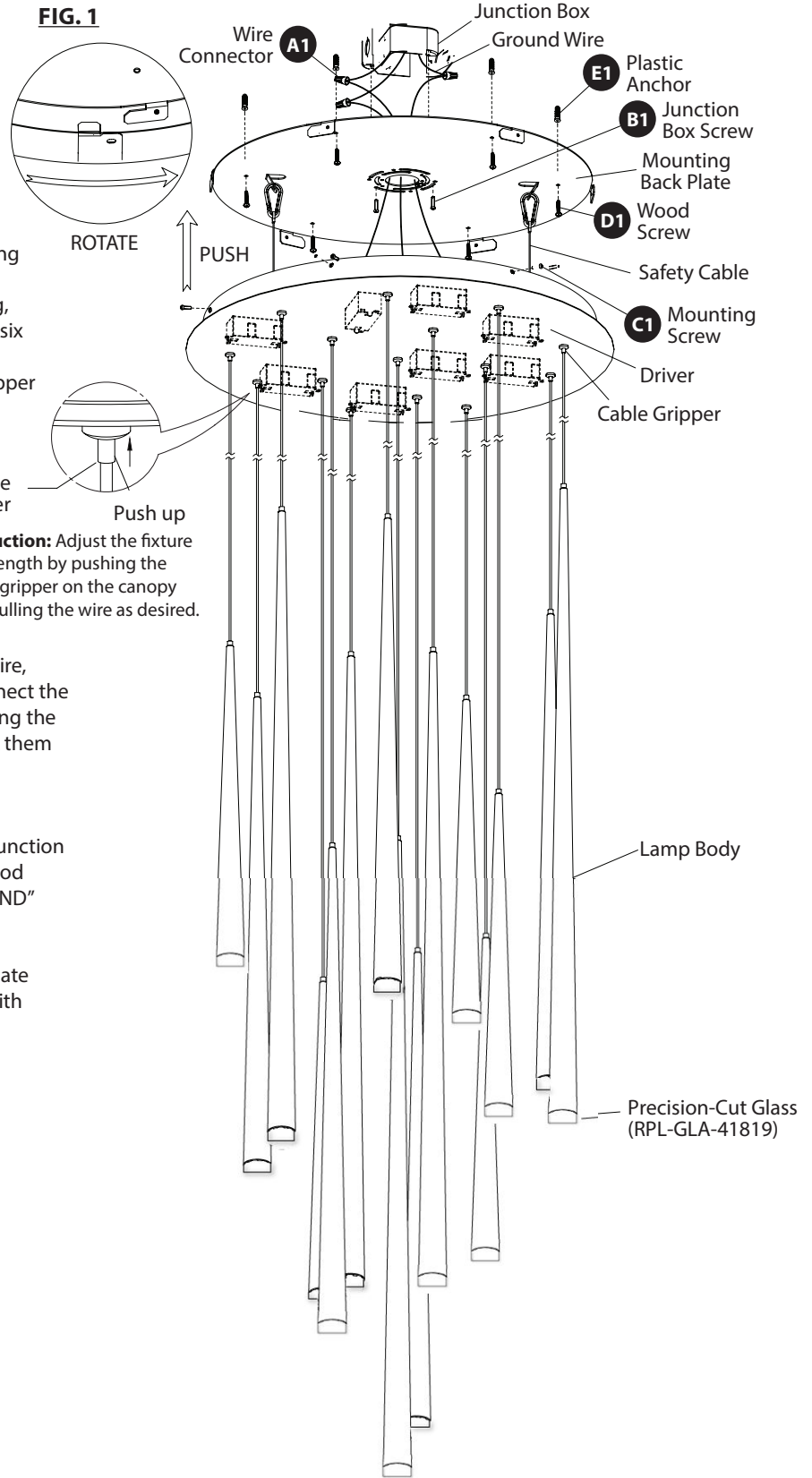
**CONNECTING THE WIRES** (Fig. 2)

3. Remove the mounting screws (C1) from the fixture.
4. Install the mounting back plate to the junction box using junction box screws (B1)
5. Mark the six wood screw mounting holes on the ceiling, remove mounting back plate, drill holes and insert the six plastic anchors (E1)
6. Adjust the fixture wire length by pushing the cable gripper on the canopy and pulling the wire as desired. (see Fig. 3 for recommended length)

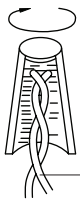
7. Connect the driver input wires with supply wires as shown in Fig. 2, making sure that all wire connectors (A1) are secured. If your outlet box has a green or bare copper ground wire, connect the fixture's ground wire to it. Otherwise, connect the fixture's ground wire directly to the mounting plate using the green screw provided. After wires are connected, tuck them carefully inside the junction box.

**MOUNTING THE FIXTURE** (Fig. 1)

8. Install mounting plate back to the junction box using junction box screws (B1), fasten it to the ceiling using the six wood screws (D1). The side of the mounting plate marked "GND" must face out.
9. Hook the two safety cords to the mounting plate
10. Push the fixture onto the mounting back plate AND rotate the fixture until it is docked in position, and secure it with mounting screws (C1).



**Fig. 2 Wiring**



Fixture Wires	House Wires
Black or Smooth	Black (Hot)
White or Ribbed	White (Neutral)
Bare wire (Ground)	Green or Bare Copper (Ground)

modernforms.com  
 Phone (800) 526.2588  
 Fax (800) 526.2585

Headquarters/Eastern Distribution Center  
 44 Harbor Park Drive  
 Port Washington, NY 11050

Central Distribution Center  
 1600 Distribution Ct  
 Lithia Springs, GA 30122

Western Distribution Center  
 1750 Archibald Avenue  
 Ontario, CA 91760

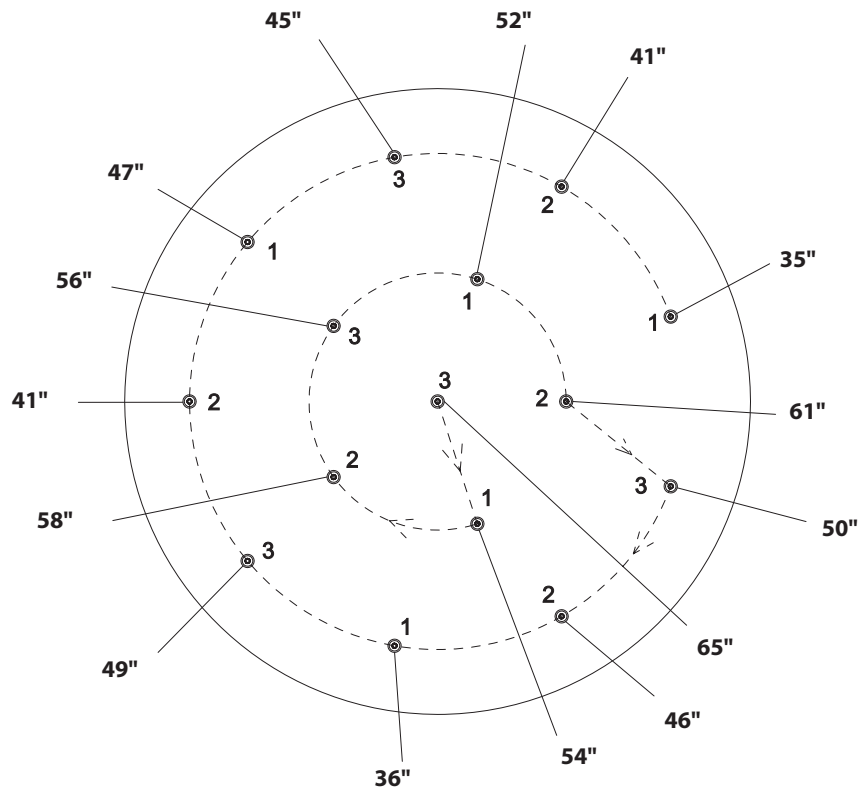




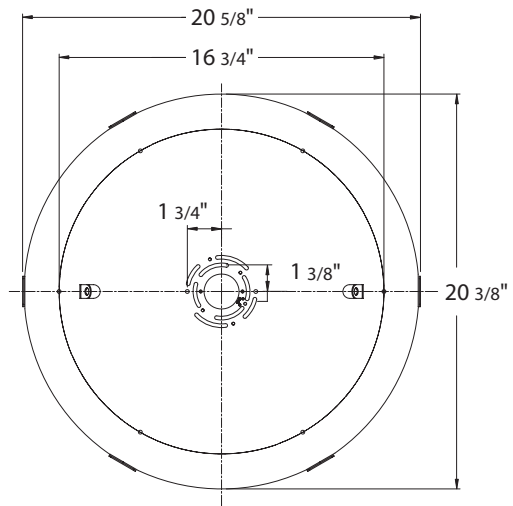
INSTALLATION INSTRUCTION  
**Cascade - LED Pendant (15 Lights)**  
 PD-41715R



**Fig.3: Recommended length**



**Back Plate Dimensions**



modernforms.com  
 Phone (800) 526.2588  
 Fax (800) 526.2585

Headquarters/Eastern Distribution Center  
 44 Harbor Park Drive  
 Port Washington, NY 11050

Central Distribution Center  
 1600 Distribution Ct  
 Lithia Springs, GA 30122

Western Distribution Center  
 1750 Archibald Avenue  
 Ontario, CA 91760



# INSTALLATION INSTRUCTION

## Cascade - LED Pendant (21 Lights)

### PD-41821R



#### WARNING

IMPORTANT: NEVER attempt any work without shutting off the electricity.

- Read all instructions before installing.
- System is intended for installation by a qualified electrician in accordance with the National Electrical Code and local regulations.
- Go to the main fuse box, or circuit breaker. Place the main power switch in the "OFF" position and unscrew the fuse(s) or switch "OFF" the circuit breaker switch(es) that control the power to the fixture or room that you are working on.
- Place the wall switch in the "OFF" position.

#### CAUTION

- All parts must be used as indicated in these instructions. Do not substitute any parts, leave parts out, or use any parts that are worn out or broken. Failure to follow this instruction could invalidate the ETL/CETL listing of this fixture.  
CAUTION When handling the fixture, do not apply pressure to the LEDs. Hold the fixture by the base only.

#### AVERTISSEMENT

IMPORTANT : Coupez l'électricité avant TOUTE manipulation.

- Lisez toutes les instructions avant d'installer.
- Système est destiné à être installé par un électricien qualifié en conformité avec le code national de l'électricité et les règlements locaux.
- Accédez au panneau central de disjoncteurs ou de fusibles de votre demeure et placez l'interrupteur principal en position d'arrêt (« OFF »).
- Placez l'interrupteur mural en position d'arrêt (« OFF »).

#### MISE EN GARDE

- Toutes les pièces doivent être utilisées tel qu'il est indiqué dans ces instructions. Ne remplacez pas les pièces, n'en laissez pas de côté et ne les utilisez pas si elles sont usées ou brisées. Le non-respect de ces instructions peut annuler l'homologation ETL/CETL du luminaire. MISE EN GARDE Ors de la manipulation de l'appareil, ne pas appliquer de pression à la LED, tenir l'appareil par la seule base.

#### ADVERTENCIA

IMPORTANTE: NUNCA intente hacer trabajos sin desconectar el suministro eléctrico.

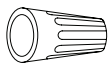
- Lea y comprenda todas las instrucciones e ilustraciones por completo antes de proceder con el ensamblaje e instalación de esta lámpara.
- Sistema está diseñado para ser instalado por un electricista calificado, de acuerdo con el código eléctrico nacional y las normas locales.
- Diríjase a la caja de fusibles o a la caja del interruptor de circuito principal en su hogar. Coloque el interruptor de alimentación principal en la posición "OFF" (APAGADO).
- Coloque el interruptor de la pared en la posición "OFF" (APAGADO).

#### PRECAUCIÓN

- Todas las piezas deben usarse como lo indican estas instrucciones. No reemplace las piezas, no omita piezas durante la instalación ni utilice piezas gastadas o rotas. El incumplimiento de esta indicación podría invalidar la calificación ETL/CETL esta lámpara. PRECAUCIÓN Al manipular el aparato, no aplique presión a los LED, mantenga el aparato en la base sólo.

#### HARDWARE

A1



Wire Connector  
Qty: 3 pcs + 1 Extra  
7EAC112201

B1



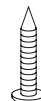
Junction Box Screw  
Qty: 2 pcs + 1 Extra  
7MPF0415C2  
#8-32x9/16

C1



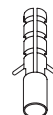
Mounting Screw  
Qty: 1 Extra  
7MPF0412C1  
5/32"-32X1/2  
Nickel Plating

D1



Wood Screw  
Qty: 6 pcs + 1 Extra  
7MPF2204J2  
Ø4x22mm  
Nickel Plating

E1



Plastic Anchor  
Qty: 6 pcs + 1 Extra  
7TDD082401

modernforms.com  
Phone (800) 526.2588  
Fax (800) 526.2585

Headquarters/Eastern Distribution Center  
44 Harbor Park Drive  
Port Washington, NY 11050

Central Distribution Center  
1600 Distribution Ct  
Lithia Springs, GA 30122

Western Distribution Center  
1750 Archibald Avenue  
Ontario, CA 91760



**INSTALLATION INSTRUCTION**  
**Cascade - LED Pendant (21 Lights)**  
 PD-41821R



**PREPARATION**

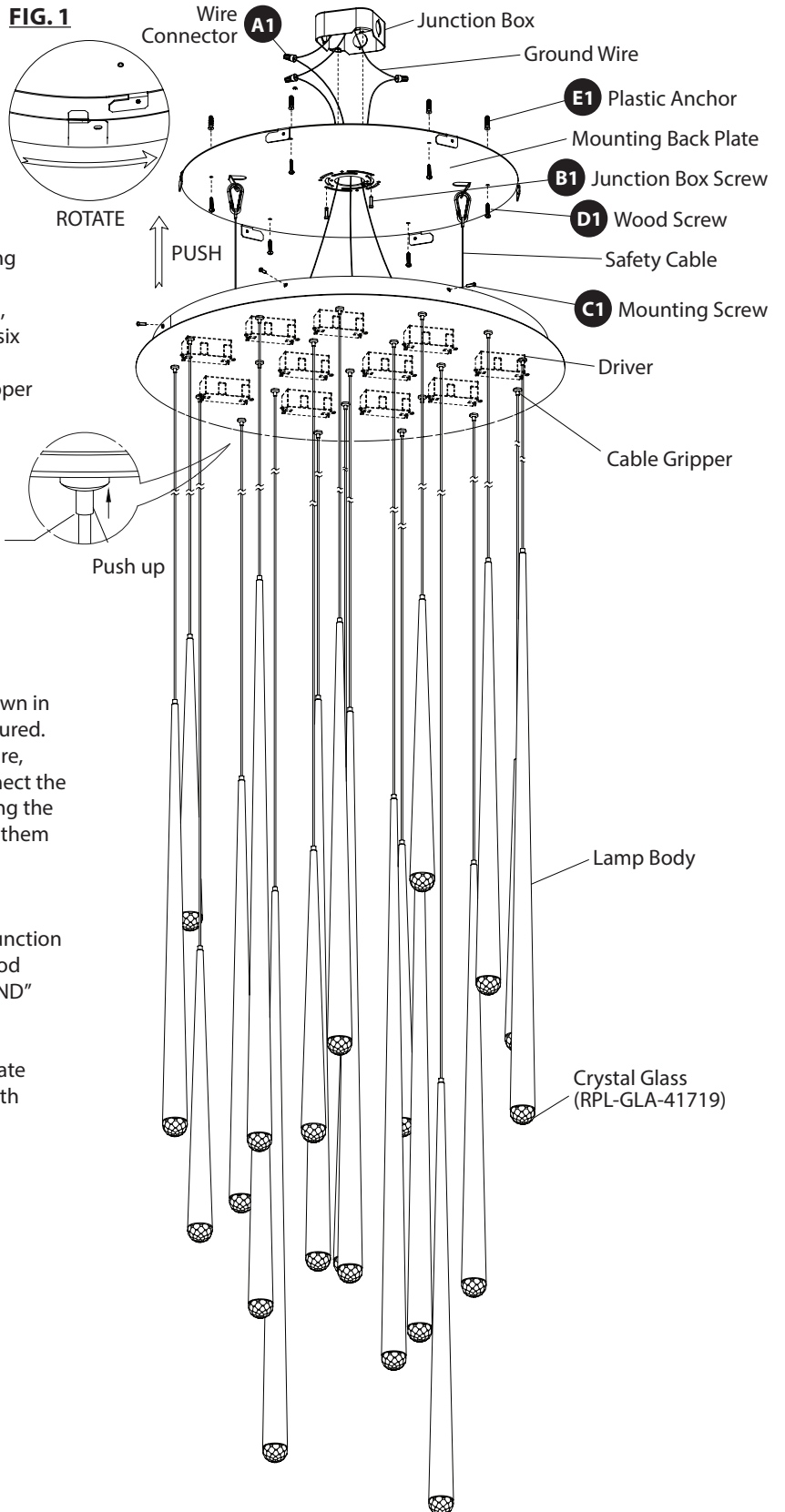
1. Shut off the power at the circuit breaker and remove existing fixture, including the crossbar.
2. Carefully unpack your new fixture and lay out all the parts on a clear area. Be careful not to lose any small parts necessary for installation.

**CONNECTING THE WIRES** (Fig. 2)

3. Remove the mounting screws (C1) from the fixture.
4. Install the mounting back plate to the junction box using junction box screws (B1)
5. Mark the six wood screw mounting holes on the ceiling, remove mounting back plate, drill holes and insert the six plastic anchors (E1)
6. Adjust the fixture wire length by pushing the cable gripper on the canopy and pulling the wire as desired. (see Fig. 3 for recommended length)

**Instruction:** Adjust the fixture wire length by pushing the cable gripper on the canopy and pulling the wire as desired.

**FIG. 1**

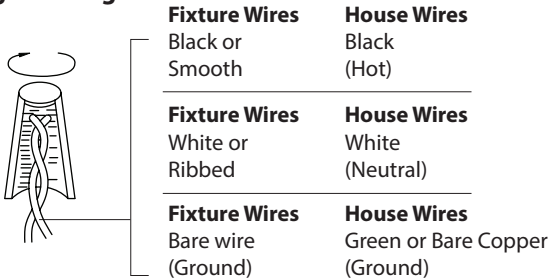


7. Connect the driver input wires with supply wires as shown in Fig. 2, making sure that all wire connectors (A1) are secured. If your outlet box has a green or bare copper ground wire, connect the fixture's ground wire to it. Otherwise, connect the fixture's ground wire directly to the mounting plate using the green screw provided. After wires are connected, tuck them carefully inside the junction box.

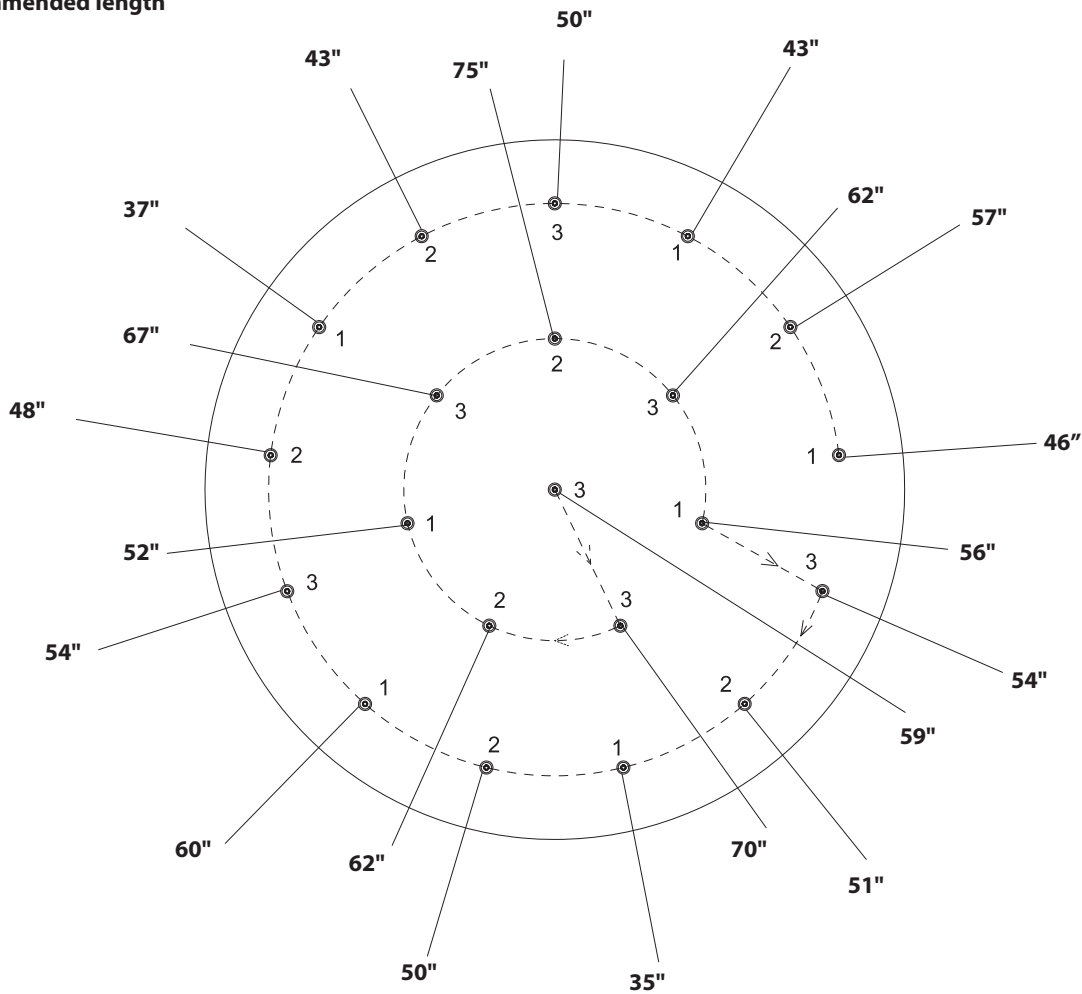
**MOUNTING THE FIXTURE** (Fig. 1)

8. Install mounting plate back to the junction box using junction box screws (B1), fasten it to the ceiling using the six wood screws (D1). The side of the mounting plate marked "GND" must face out.
9. Hook the two safety cords to the mounting plate
10. Push the fixture onto the mounting back plate AND rotate the fixture until it is docked in position, and secure it with mounting screws (C1).

**Fig. 2 Wiring**



**Fig.3: Recommended length**



**Back Plate Dimensions**

