

**QUESTIONS OR CONCERNS CONTACT CANARM AT:**

1-800-265-1833 (English)  
1-800-567-2513 (French)

Monday through Friday 8:00 AM to 5:00 PM E.S.T.

**TOOLS AND MATERIALS REQUIRED:**



Phillips Screwdriver



Wire Cutters

Wiring supplies as required by electrical code



Pliers



Wrench

"INSTRUCTIONS PERTAINING TO RISK OF FIRE OR INJURY TO PERSONS"  
"READ ALL INSTRUCTIONS"

## "IMPORTANT SAFETY INSTRUCTIONS"

### "SAVE THESE INSTRUCTIONS"

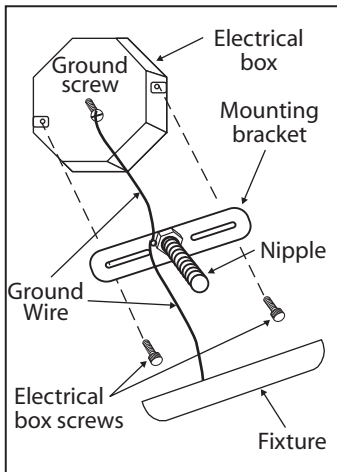
**SAFETY PRECAUTIONS:**

1. **TURN OFF ELECTRICAL POWER BEFORE STARTING INSTALLATION OF LIGHT FIXTURE. DO NOT REMOVE INSULATION FROM FIXTURE.**
2. **THIS PRODUCT MUST BE INSTALLED IN ACCORDANCE WITH THE APPLICABLE INSTALLATION CODE BY A PERSON FAMILIAR WITH THE CONSTRUCTION AND OPERATION OF THE PRODUCT AND THE HAZARDS INVOLVED.**
3. **CAUTION – RISK OF FIRE. CONSULT A QUALIFIED ELECTRICIAN TO ENSURE CORRECT BRANCH CIRCUIT CONDUCTOR.**
4. **CONNECT THE GROUND WIRE (BARE COPPER OR GREEN) FROM YOUR FIXTURE TO THE GROUND WIRE (BARE COPPER OR GREEN) OR GROUND SCREW IN THE ELECTRICAL OUTLET BOX.**

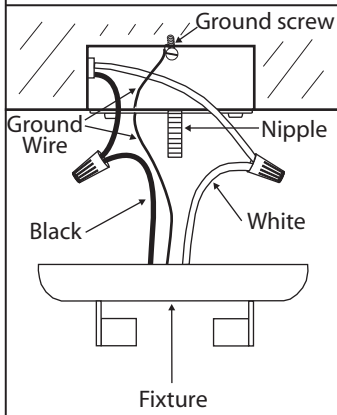
**NOTE: Product May Not Look Exactly As Shown In Figures.**

**Note:** Your fixture may have either one or two sockets depending on the model.

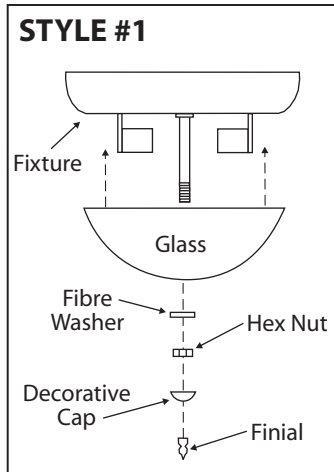
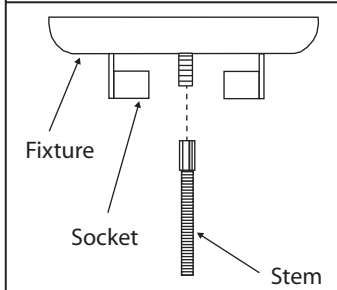
**INSTALLATION:**



**1.** Install the mounting bracket to the electrical box using two electrical box screws. Adjust the length of the nipple by loosening the nut if required. Connect the ground wire (bare copper or green) from your fixture to the ground wire (bare copper or green) or ground screw in the electrical outlet box. Connect the black wire (or wire marked "SPT-1") from the fixture to the black wire in the electrical box and connect the white wire from the fixture to the white wire in the electrical box. Tuck the electrical wires into the electrical box.

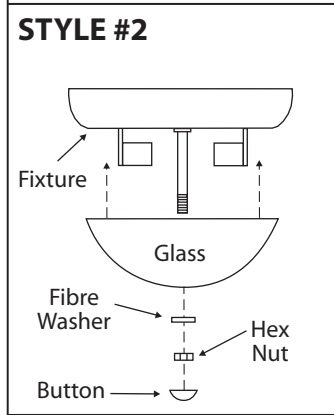


**2.** Slide fixture over nipple on mounting bracket. Secure in place by screwing the stem onto the nipple. Install the proper bulb type and wattage (not included).

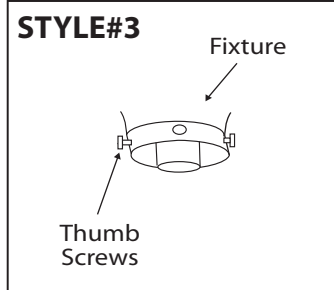


**3. Note:** Refer to the style of assembly that matches the style of your fixture.

**Style #1:** Secure the glass in place using the fibre washer, hex nut, decorative cap and finial.



**Style #2:** Secure the glass in place using the fibre washer, hex nut and button.



**Style #3:** Attach the glass shade to the fixture using the thumb screws (tighten with fingers only).