

5 YEAR LIMITED WARRANTY

"Thank you" for purchasing our product. It is our policy to furnish you with high quality products at a fair price. With proper installation your fan should provide you with years of money saving comfort.

This fan is guaranteed to be free from defects in workmanship and Material for a period of five (5) years from date of purchase. Within the first (1) year from date of purchase any defective product should be returned to your **RETAIL OUTLET** along with proof of purchase. For the balance of the warranty, four (4) years, the **MOTOR WINDINGS ONLY** shall be free of defects. We will correct such defects or replace the motor assembly at our option if the product is returned, **FREIGHT PREPAID**, to us. The returned fan must be accompanied by your proof of purchase and a cheque for \$20.00 for handling and labour charges. All costs of removing and re-installing the product are **YOUR RESPONSIBILITY** damage to any part as such by accident, misuse, improper installation or by affixing any accessories **IS NOT** covered by this warranty. As a result of varying climatic conditions in your area this warranty does not cover any changes in finishes, including rusting, pitting, corroding, tarnishing or peeling.

WARRANTY VOID: In cases of alteration, abuse, installation not in accordance with instructions or REMOVAL Of the CSA Sticker.

10/21

CF-17C
09/22

harmonizedhome
CANARMNA®



NEED HELP?
Call or Email us first

Our service team is ready to answer your questions...

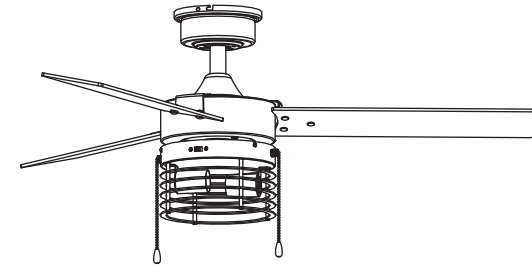
1-800-265-1833 (English) / 1-800-567-2513 (French)

IN CANADA - ressaiescanada@canarmna.ca - IN USA - ressaiesusa@canarmna.ca

Monday – Friday
8 AM - 5 PM EST.

INSTALLATION INSTRUCTIONS

DOWNROD MOUNT SERIES



"INSTRUCTIONS PERTAINING TO RISK OF FIRE OR INJURY TO PERSONS"

"READ ALL INSTRUCTIONS"

**"IMPORTANT SAFETY
INSTRUCTIONS"**

"SAVE THESE INSTRUCTIONS"

INSTALLATION AND WIRING TO BE IN ACCORDANCE WITH CEC,
NEC, LOCAL ELECTRICAL CODES and ANSI/NFPA 70.

Consult a qualified electrician if you are not familiar with wiring.

TOOLS AND MATERIALS REQUIRED

- Philips Screw Driver
- Blade Screw Driver
- Wiring supplies as required by electrical code.
- Step Ladder
- Wire Cutters

NOTE: FOR OPTIMUM QUIETNESS, FULLY ASSEMBLE FAN AND RUN 24 HOURS

2157 Parkedale Ave.,
Brockville, Ontario
K6V 5V6
PH: (613) 342-5424
FX: (613) 342-8437

2555 Rue Bernard
Lefebvre Laval, Quebec
H7C 0A5
PH: (450) 665-2535
FX: (450) 665-0910

SAFETY PRECAUTIONS

1. Turn off power at main electrical service box before starting installation
2. Electrical connections must comply with local code ordinances, national electrical codes, CEC, NEC and ANSI/NFPA 70.
3. Make sure the installation site you choose allows the fan blades to rotate freely without any obstructions.
4. When mounting the fan on a ceiling outlet box, Use an approved (CSA for Canada and UL for U.S.) ceiling fan box marked "**FOR FAN SUPPORT**". Ensure the outlet box is securely installed in place such that it is able to support at least the fan weight.
5. **WARNING:** To reduce the risk of fire, electric shock, or other personal injury, mount fan only on an outlet box or supporting system marked acceptable for fan support of 35 lbs (15,9 kg) or less and use the mounting screws provided with the outlet box. Most outlet boxes commonly used for the support of lighting fixtures are not acceptable for fan support and may need to be replaced. Consult a qualified electrician if in doubt.
6. Total Fan Weight For Reference: 52"approximate 6.4 kgs(14.11lbs).

WARNING

- To reduce the risk of fire or electrical shock, **ONLY** use model CQ005 remote control for optional remote control adaptability.
- **WARNING: TO REDUCE THE RISK OF FIRE, ELECTRIC SHOCK, OR PERSONAL INJURY, MOUNT TO OUTLET BOX MARKED ACCEPTABLE FOR FAN SUPPORT AND USE MOUNTING SCREWS PROVIDED WITH THE OUTLET BOX.**
- Mount with the lowest moving parts at least 2.10 Meters (7 Feet) above floor or grade level.
- **DO NOT** operate reversing switch while fan blades are in motion. Fan must be turned off and rotating blades stopped, reverse chain pulled, the speed chain pulled again to start in the opposite direction.

INSTRUCTIONS

A ceiling fan has a completely internal switching system for total operation by way of pull chains. On a fan/light combination, three pull chains will exist: One for light, on and off. The second is for fan speeds. This will be marked (SPEED) on the fan switch housing.

- 1st Pull will give fan High Speed
- 2nd Pull will give fan Medium Speed
- 3rd Pull will give fan Low Speed
- 4th Pull will Shut Fan Off

The third pull chain is for Forward/Reverse#(**Note: Some models come with a slide switch instead of a pull chain**). This setting would usually be changed twice per year. Downdraft in summer to create a wind chill to give a cooling effect. Updraft in winter to circulate the hot stratified air off the ceiling and back down to the floor without creating a wind chill.

Supplier's Declaration of Conformity 47 CFR § 2.1077 Compliance Information

Unique Identifier: CANARMNA
Responsible Party

Canarm Inc.
709 East Main Street, Teutopolis, Illinois, USA 62467
1.800.267.4427

This equipment has been tested and found to comply with the limits for a Class B digital device, pursuant to Part 15 of the FCC Rules. These limits are designed to provide reasonable protection against harmful interference in a residential installation. This equipment generates, uses and can radiate radio frequency energy and, if not installed and used in accordance with the instructions, may cause harmful interference to radio communications. However, there is no guarantee that interference will not occur in a particular installation. If this equipment does cause harmful interference to radio or television reception, which can be determined by turning the equipment off and on, the user is encouraged to try to correct the interference by one or more of the following measures:

- Reorient or relocate the receiving antenna.
- Increase the separation between the equipment and receiver.
- Connect the equipment into an outlet on a circuit different from that to which the receiver is connected.
- Consult the dealer or an experienced radio/TV technician for help.

CAUTION:

Any changes or modifications not expressly approved by the grantee of this device could void the user's authority to operate the equipment. This device complies with Part 15 of the FCC Rules. Operation is subject to the following two conditions: (1) This device may not cause harmful interference, and (2) this device must accept any interference received, including interference that may cause undesired operation.

This device contains licence-exempt transmitter(s)/receiver(s) that comply with Innovation, Science and Economic Development Canada's licence-exempt RSS(s). Operation is subject to the following two conditions:

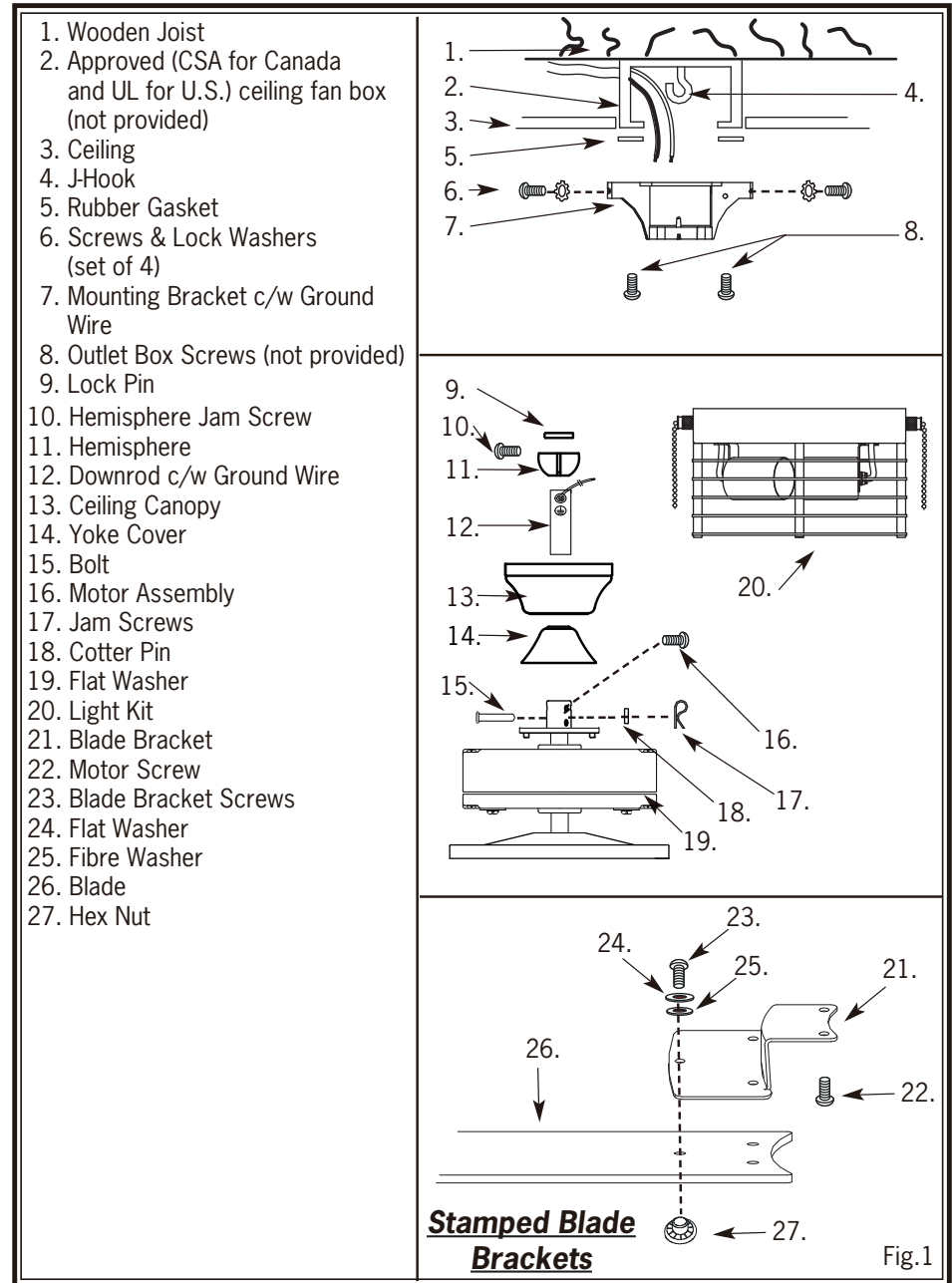
1. This device may not cause interference.
2. This device must accept any interference, including interference that may cause undesired operation of the device.

TROUBLESHOOTING
SUGGESTIONS

TROUBLE

- | | |
|---------------------------------------|---|
| 1. Fan will not start | <ul style="list-style-type: none"> - Check wiring connections to fan. - Check fuses and circuit breakers. - Check wiring connections in switch housing. <p>CAUTION: Turn power off for last two items.</p> |
| 2. Fan sounds noisy | <ul style="list-style-type: none"> - Check to make sure that all screws in motor housing are snug. - Check to make sure that blade bracket screws are tight. - Check to make sure that wire nuts in switch housing are not rattling against wall of switch housing. - If fan has a light kit make sure switch housing screws and set screws are tight. - Some fan motors are sensitive to signals from solid state variable controls. If solid state controller is used, change to an alternative control. - Allow a 24-hour break-in period to eliminate most noises. |
| 3. Fan wobbles or shakes excessively. | <ul style="list-style-type: none"> - Check that all blades are screwed firmly into blade brackets. - Check that blade brackets are secured firmly to motor. - Check distance from tip of blades to ceiling. - Check distance between blade tip to blade tip. All measurements should be equal. Loosen blade screws and position blade until even then re-tighten. - Check that the downrod hemisphere notch is engaged in canopy. - Check to make sure that jam screws in downrod are tightened. - Make sure canopy and mounting bracket are tightened securely to wooden joist. - Make sure warpage has not occurred in wooden blades. If so, contact the customer service department for replacement parts. |

ASSEMBLY DRAWING

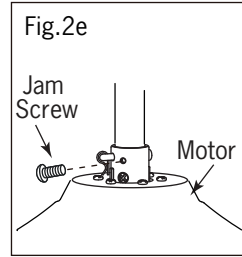
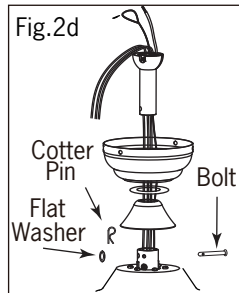
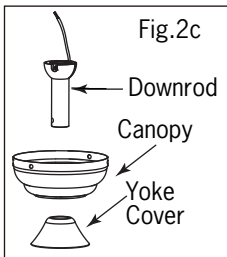
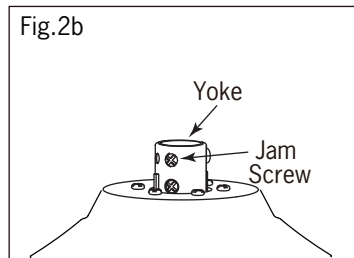
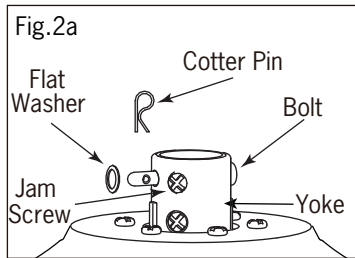


INSTALLATION

NOTE: All set screws must be checked and retightened where necessary, before and after installation.

1. MOUNTING DOWNROD MOUNT

- Take out fan motor housing.
- Remove cotter pin and bolt from yoke.
- Loosen jam screw in yoke until it is flush with the inside surface.
- Obtain downrod, canopy and yoke cover.
- Place downrod inside canopy and yoke cover.
- Route wires exiting motor through yoke cover, canopy and downrod.
- Insert bolt through hole in shaft and downrod. **Be careful not to damage or cut the fan wires.**
- Tighten flat washer and bolt. Secure with cotter pin through hole in the end of the bolt.
- Secure downrod in position by tightening jam screws. Slide yoke cover down so it is flush with the motor housing.



8.

LIGHT KITS (Optional in some fans)

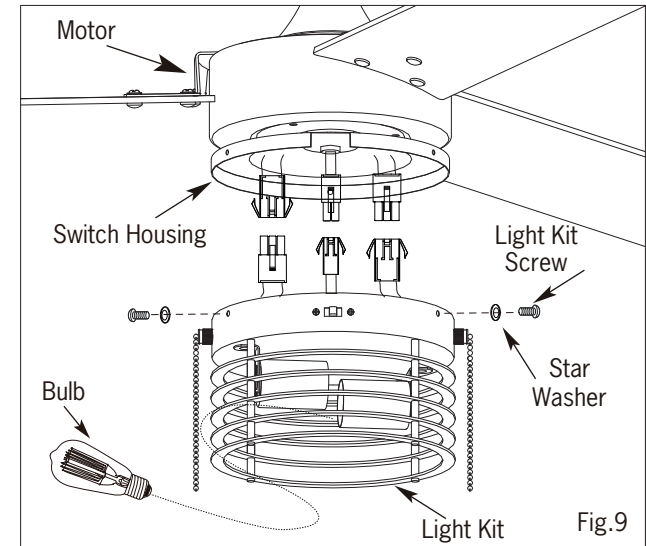
A

DETACHABLE LIGHT KITS

- Remove light kit screws and washers.
- Connect polarized connectors of light kit to corresponding connectors found in switch housing.

WARNING: BE SURE TO TURN OFF POWER BEFORE INSTALLING

- Carefully tuck electrical wires back into switch housing, align light kit with switch housing and secure with three light kit screws and washers.



WARNING: Check all connections, set screws and screws are securely tightened before the next step.

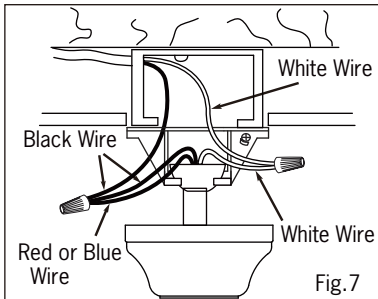
To clean the fixture, turn off the power, wait for it to cool, and wipe the fixture with a clean, soft cloth.

5.

ELECTRICAL HOOK UP (Continued)

B

CONNECTING BLACK, WHITE, AND (RED OR BLUE) WIRES



- Connect white wire from outlet box to white wire from fan using wire nut (not supplied).

- Connect black wire from outlet box to black wire from fan plus (red or blue wire) using a wire nut (not supplied).

NOTE: A red or blue wire would be power for a light kit if applicable.

NOTE: Once wires are connected, carefully tuck wires and wire nuts into the metal outlet box making sure that the wires are clear of the hemisphere and downrod when positioned in mounting bracket (Downrod Mount Only).

6.

MOUNTING FAN ASSEMBLY

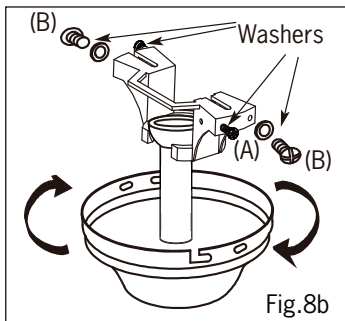
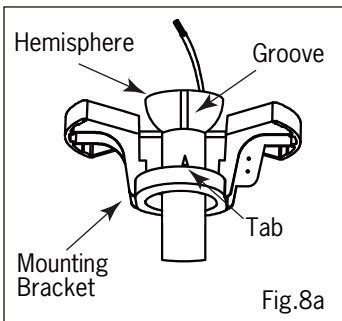
- Place two screws and washers on mounting plate (marked B on diagram) which correspond with slots in canopy. Screw in two turns.
- Position canopy to mounting plate aligning slots to screws (marked B on diagram) then turn to lock.
- Position and tighten the two screws and washers (marked A on diagram) then tighten the two screws (marked B on diagram).

7.

ENGAGE HEMISPHERE (Downrod Mount Only)

- Carefully rotate fan assembly until groove in hemisphere locks over tab of canopy assembly.

WARNING: Failure to seat tab in groove could cause damage to electrical wires and possible shock or fire hazard.



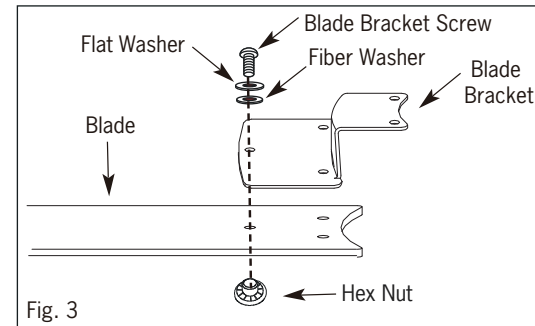
NOTE: When installing fan on sloped ceiling, make sure tab on hanger bracket faces towards the top of the slope. Depending on the slope, a longer downrod may be required to prevent fan blades from hitting the ceiling.

2.

MOUNT BLADE BRACKETS TO BLADES

Cast Blade Brackets

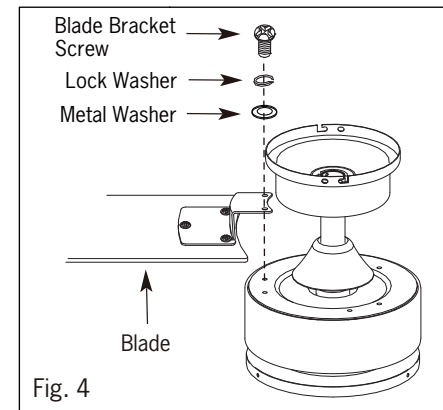
- Tack out hardware package.
- Place blade bracket screw through flat washer, fibre washer and blade.
- Align with corresponding hole in blade bracket.
- Repeat with (2) remaining screws and tighten.



3.

MOUNTING BLADES TO MOTOR

- Attach the blades to the fan motor assembly using the Blade Bracket Screws, Metal Washer and Lock Washer. Slightly turn the blade after installation and repeat the same step for the other blades.

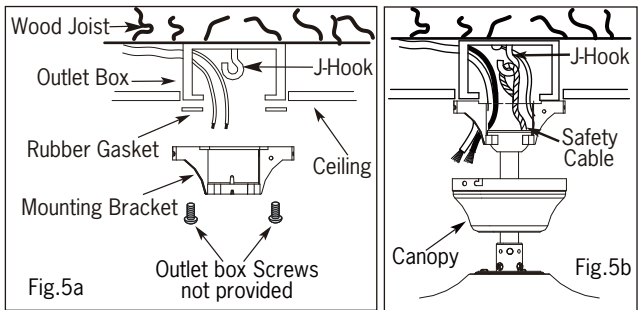


4.

INSTALL MOUNTING BRACKET

WARNING: To Reduce The Risk Of Fire, Electric Shock, Or Personal Injury, Mount To UL/CSA Listed Outlet Box Marked Acceptable for Fan Support And Use Mounting Screws Provided With The Outlet Box.

- Install J-Hook through centre of outlet box and into the wooden joist.
- Secure mounting bracket and rubber gaskets to metal outlet box.
- Hang the safety cable onto the J-hook.
- Hang fan on temporary hook and install safety cable.



5.

ELECTRICAL HOOK UP

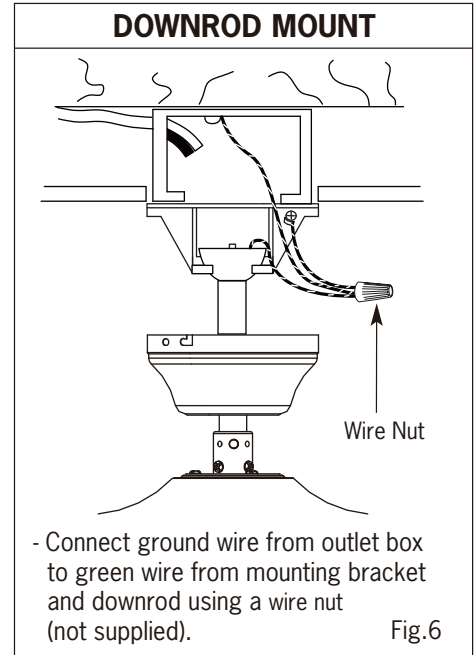
- There are several different wiring combinations that can be used in controlling your ceiling fan to meet your specific requirements. Should the following method not meet your requirements call or visit your nearest distributor for a full list of fan accessories.

CAUTION
Green Wire - GROUND Black Wire (Fan) - POWER White Wire (Fan) - COMMON Red or Blue Wire (Light Kit) - POWER
SEE SAFETY PRECAUTIONS ON PG. #2 BEFORE WIRING

- After making the wire connections, ensure the wires should be spread apart with the grounded conductor and the equipment-grounding conductor on one side of the outlet box and the ungrounded conductor on the other side of the outlet box.
- Ensure the splices after being made should be turned upward and pushed carefully up into the outlet box.

A

CONNECTING THE (GREEN) GROUND WIRE



NOTE: Once ground wires are connected, carefully tuck all wires and wire nuts into the metal outlet box making sure that the wires are clear of the hemisphere and downrod when positioned in mounting bracket (Downrod Mount Only).

GARANTIE LIMITÉE DE 5 ANS

"Merci" d'avoir opté pour un de nos produits. Notre politique est de vous fournir un produit de qualité à un prix compétitif. Avec l'aide d'une installation adéquate, votre ventilateur vous fournira des années de confort et d'économies d'énergie.

Ce ventilateur est garanti contre toutes déficiences de matériaux ou de main-d'oeuvre pour une période de cinq (5) ans à partir de la date d'achat. Durant la première (1) année suivant l'achat, un produit défectueux devra être retourné au détaillant accompagné de la preuve d'achat. Pour la balance de la garantie soit quatre (4) ans, **LE MOTEUR SEULEMENT SERA GARANTIE** contre toutes déficiences. Nous réparerons ou remplacerons, à notre choix, le moteur défectueux si celui-ci est retourné frais de port payés. Le ventilateur doit être retourné **accompagné de la preuve d'achat et d'un chèque de \$20.00** pour couvrir les frais de main-d'oeuvre et de manutention.

Tous les frais encourus dans le démontage et la réinstallation du produit sont à vos frais. Les dommages causés par un accident, un abus, une opération inadéquate, une mauvaise installation ou l'installation d'un accessoire **NE SONT PAS COUVERTS PAR CETTE GARANTIE**. Aussi, en vue des variances climatiques de votre région, cette garantie ne couvre pas les changements du fini, soit, la rouille, la corrosion, le ternissement ou l'écaillage. **Cette garantie sera nulle lors d'altération, d'abus ou d'installation non-conformes aux instructions ou lorsque l'étiquette de L'ACNOR (CSA) serait ENLEVÉE.** 10/21

CF-17C
09/22

harmonizedhome
CANARMNA®



BESOIN D'AIDE?

Écrivez-nous ou appelez nous d'abord

Notre équipe de service est prêt à répondre à vos questions...

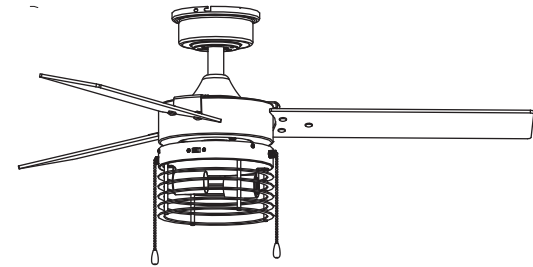
1-800-265-1833 (Anglais) / 1-800-567-2513 (Français)

Lundi - Vendredi
8 AM - 5 PM EST.

Au Canada - ressalesscanada@canarmna.ca - Aux États-Unis - ressalessusa@canarmna.ca

MODE D'INSTALLATION

SERIE MONTAGE AVEC TIGE



"INSTRUCTIONS CONCERNANT LE RISQUE D'INCENDIES OU LES DOMMAGES DES PERSONNES" "LISEZ TOUTES LES INSTRUCTIONS"

"INSTRUCTIONS DE SÛRETÉ
IMPORTANTES"
"GARDEZ CES INSTRUCTIONS"

L'installation et les connexions électriques doivent être conformes aux normes CEC, NEC et codes électriques locaux ainsi que les codes ANSI/NFPA 70. Consultez un électricien qualifié si vous n'êtes pas familiers avec l'électricité

OUTILS ET MATÉRIAUX REQUIS

- Tournevis Philips
- Tournevis Plat
- Fournitures électriques telles que prescrites par le code électrique
- Escabeau
- Coupeur de Fil

N.B.: Pour une opération silencieuse, complétez l'installation et rodez durant 24 heures.

2157 Parkedale Ave.,
Brockville, Ontario
K6V 5V6
PH: (613) 342-5424
FX: (613) 342-8437

2555 Rue Bernard
Lefebvre Laval, Quebec
H7C 0A5
PH: (450) 665-2535
FX: (450) 665-0910

MISE EN GARDE

1. Fermez le courant au disjoncteur avant l'installation.
2. Les connexions électriques doivent être conformes aux codes et ordonnances électriques nationaux CEC, NEC et ANSI/NFPA 70.
3. Lorsque vous choisissez l'emplacement du ventilateur assurez-vous que cet endroit permettra une rotation libre des pales sans obstructions.
4. Lorsque vous installez le ventilateur à la boîte électrique au plafond, Utilisez une boîte "**POUR SOUTIEN D'UN VENTILATEUR**" approuvée pour les ventilateurs de plafond (CSA pour le Canada et UL for les E.U.). Assurez-vous que la boîte électrique est bien fixée au plafond et peut supporter le poids du ventilateur.
5. **AVERTISSEMENT:** Pour réduire le risque d'incendie, de choc électrique ou de toute autre blessure, fixez le ventilateur uniquement à une boîte de sortie de courant ou à un système de support portant la mention capable de supporter un ventilateur de 15,9 kg (35 lb) ou moins, au moyen des vis de montage fournies avec la boîte de sortie de courant. La plupart des boîtes de sortie de courant utilisées couramment pour le support de luminaires ne conviennent pas aux ventilateurs et peuvent devoir être remplacées. En cas de doute, consultez un électricien qualifié.
6. Pour votre référence, le poids approximatif du ventilateur est 52", 6.4 kgs (14.11 lbs).

MISE EN GARDE

- Pour éviter les dangers d'incendie et de secousses électriques, utilisez SEULEMENT le contrôle à distance optionnel modèle CQ005.
- **MISE EN GARDE: POUR RÉDUIRE LES RISQUES D'INCENDIE, DE CHOQUES ÉLECTRIQUES OU DE BLESSURES CORPORELLES, POSEZ LE VENTILATEUR SUR UNE BOÎTE DE SORTIE ÉLECTRIQUE INDIQUÉE "ACCEPTABLE POUR L'INSTALLATION D'UN VENTILATEUR" ET UTILISER LES VIS D'INSTALLATION FOURNIES AVEC LA BOÎTE DE SORTIE.**
- L'installation du ventilateur doit se faire en gardant une distance minimum de 2.10 mètres (7 pieds) entre le plancher et les parties mobiles du ventilateur.
- **NE JAMAIS** utiliser l'interrupteur de direction lorsque le ventilateur fonctionne. Vous devez fermer le ventilateur, attendre que les pales soient arrêtées, tirez sur l'interrupteur de direction pour ensuite repartir le ventilateur à l'aide de l'interrupteur de vitesses pour le repartir de nouveau dans la direction opposée.

INSTRUCTIONS

Un ventilateur inclus un système d'interrupteur interne complet qui s'opère par tirette. Sur un ventilateur avec un luminaire, deux tirettes seront présentes. Une pour allumer et éteindre la lumière, l'autre pour changer les vitesses du ventilateur. Celle-ci sera indiquée (SPEED)

- 1er coup de tirette - Grande vitesse
- 2ième coup de tirette - Vitesse moyene
- 3ième coup de tirette - Petite vitesse
- 4ième coup de tirette - Arrêt du ventilateur

La troisième tirette est pour la fonction de rotation Avant/Arrière du ventilateur. Certains modèles auront un interrupteur à glissière sur le boîtier au lieu d'une tirette. Normalement, la direction du ventilateur est changée deux fois par année. Débit vers le bas pour créer une brise durant l'été et vers le haut pour circuler l'air durant l'hiver.

Supplier's Declaration of Conformity 47 CFR § 2.1077 Compliance Information

Unique Identifier: CANARMNA

Responsible Party

Canarm Inc.

709 East Main Street, Teutopolis, Illinois, USA 62467

1.800.267.4427

Cet équipement a été testé et déclaré conforme aux limites imposées aux appareils numériques de classe B, conformément à la section 15 du règlement de la FCC. Ces limites sont conçues pour fournir une protection raisonnable contre les interférences nuisibles dans une installation résidentielle. Cet équipement génère, utilise et peut émettre de l'énergie des fréquences radio. S'il n'est pas installé et utilisé conformément aux instructions, il peut causer des interférences nuisibles aux communications radio. Cependant, rien ne garantit que des interférences ne se produiront pas dans une installation particulière. Si cet équipement provoque des interférences nuisibles avec la réception de radio ou de télévision, ce qui peut être déterminé en éteignant et en rallumant l'équipement, l'utilisateur est invité à tenter de corriger l'interférence en appliquant l'une ou plusieurs des mesures suivantes :

- Réorienter ou déplacer l'antenne de réception.
- Accroître la distance entre l'équipement et le récepteur.
- Connecter l'équipement à une prise d'un circuit différent de celui auquel le récepteur est connecté.
- Consulter le revendeur ou un technicien radio/tv expérimenté pour obtenir de l'aide.

MISE EN GARDE:

Tout changement ou modification non expressément approuvé par le bénéficiaire de cet appareil peut annuler le droit de l'utilisateur à utiliser l'équipement.

Cet appareil répond aux normes de la FCC partie 15. L'utilisation est sujette aux deux conditions suivantes : (1) L'appareil ne causera pas d'interférence nuisible, (2) L'appareil acceptera toute interférence reçue incluant l'interférence qui causera une opération indésirable.

Ce dispositif comprend un(des) transmetteur(s)/appareil(s) de réception exempt(s) de licence qui est(sont) conforme(s) aux normes d'exemption de licence RSS de Innovation, Sciences et Développement économique Canada. Son fonctionnement est soumis aux deux conditions suivantes:

1. Cet appareil ne doit pas causer d'interférences préjudiciables.
2. il doit accepter toute interférence reçue, y compris les interférences pouvant entraîner un fonctionnement indésirable.

DEPANNAGE

PROBLEME

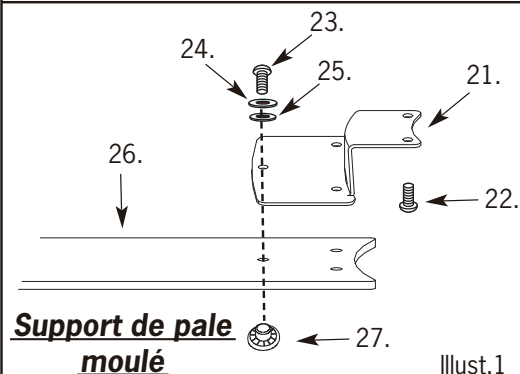
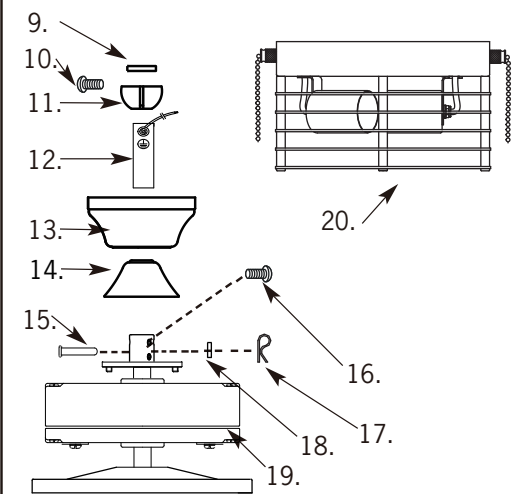
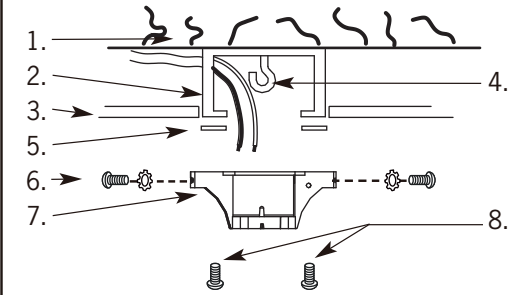
1. Le ventilateur ne démarre pas.
2. Le ventilateur est bruyant.
3. Le ventilateur oscille excessivement.

SUGGESTION

- Vérifiez les fusibles au disjoncteur.
 - Vérifiez les connexions électriques au ventilateur.
 - Vérifiez les connexions électriques dans le logement des interrupteurs.
- Fermez le courant aux deux derniers items.**
- Assurez-vous que toutes les vis du moteur sont bien serrées.
 - Assurez-vous que les vis des ferrures de pales sont bien serrées.
 - Assurez-vous que les écrous à fils à l'intérieur du logement des interrupteurs ne cognent pas contre les parois du logement.
 - Si votre ventilateur porte un luminaire assurez-vous que le vis du luminaire au logement soient bien serrées.
 - Certains ventilateurs sont très sensibles aux signaux émis d'un contrôleur à transformateur à vitesse variable ou d'un réducteur. Nous vous suggérons d'utiliser un contrôleur approprié à votre ventilateur (voir un représentant pour une liste des contrôles qui sont disponibles).
 - Allouez 24 heures de rodage pour éliminer certains bruits.
 - Assurez-vous que les pales sont bien vissées aux ferrures de pales.
 - Assurez-vous que les ferrures sont bien vissées au moteur.
 - Vérifiez la distance entre le plafond et chacune des pales.
 - Vérifiez la distance entre chaque pale. Cette distance devrait être la même pour chaque paire de pales. Dévissez la ferrure et repositionnez la pale à la distance voulue et revissez ensuite la ferrure.
 - Assurez-vous que la demi-sphère est bien engagée dans l'entaille de la cloche.
 - Assurez-vous que la vis de blocage de la tige soit bien engagée.
 - Assurez-vous que la ferrure de montage ainsi que la cloche sont bien serrées à la solive.
 - Assurez-vous qu'aucun crochissement ne s'est produit dans les pales. Pour vérifier ceci mettez vos pales à plat sur une table. Si un crochissement s'est produit, communiquez avec votre représentant au numéro de service à la clientèle indiqué sur la garantie.

DIAGRAMME D'INSTALLATION

1. Solive de bois
2. Boîte approuvée pour les ventilateurs de plafond (CSA pour le Canada et UL for les E.U.) (non fournie)
3. Plafond
4. Crochet en J
5. Joint de caoutchouc
6. Vis et rondelles de blocage (jeu de 4)
7. Ferrure de montage avec fil de mise à terre
8. Vis de la boîte électrique (non fournies)
9. Goupille de blocage
10. Vis de blocage de la demi-sphère
11. Demi-sphère
12. Tige de suspension avec fil de mise à terre
13. Cloche de plafond
14. Couvreclou du collet
15. Boulon
16. Moteur
17. Rondelle de blocage
18. Goupille
19. Rondelle plate
20. Luminaire
21. Support de pale
22. Vis du moteur
23. Vis de support de pale
24. Rondelle plate
25. Rondelle de fibre
26. Pale
27. Ecrou hexagonal



Illust.1

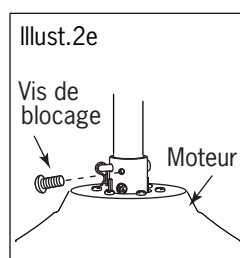
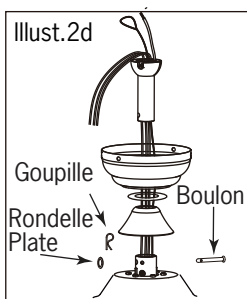
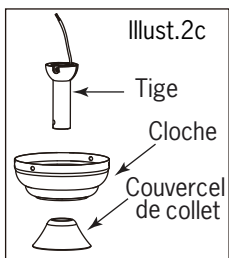
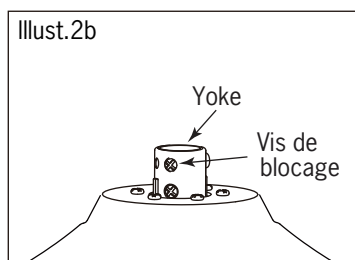
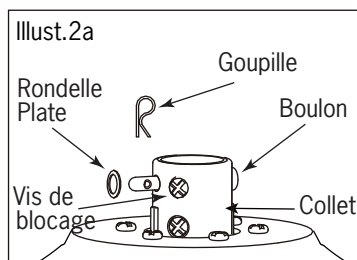
INSTALLATION

Remarque: Toutes les vis de blocage doivent être vérifiées et resserrées au besoin, avant de procéder à l'installation

1. MONTAGE

MONTAGE AVEC LA TIGE

- Prenez le moteur de ventilateur.
- Retirez la goupille et le boulon du collet.
- Dévissez la vis de blocage du collet jusqu'à ce qu'elle soit à l'intérieur de la surface.
- Prenez la tige, la cloche et couvercle du collet .
- Posez la tige dans la cloche et couvercle du collet.
- Faufilez les fils du moteur en travers du couvercle de collet, la cloche et de la tige.
- Insérez le boulon en travers du trou du collet et de la tige. **“Assurez-vous que vous n'endommagez pas ou ne coupez pas les fils.”**
- Serrez la rondelle plate et le boulon. Fixez en place en insérant la goupille en travers du trou au bout du boulon.
- Fixez la tige en position en serrant le vis. Glissez le couvercle du collet afin qu'il soit bien en place avec le logement du moteur.



8.

LUMINAIRE (Optionnel sur certains modèles)

A

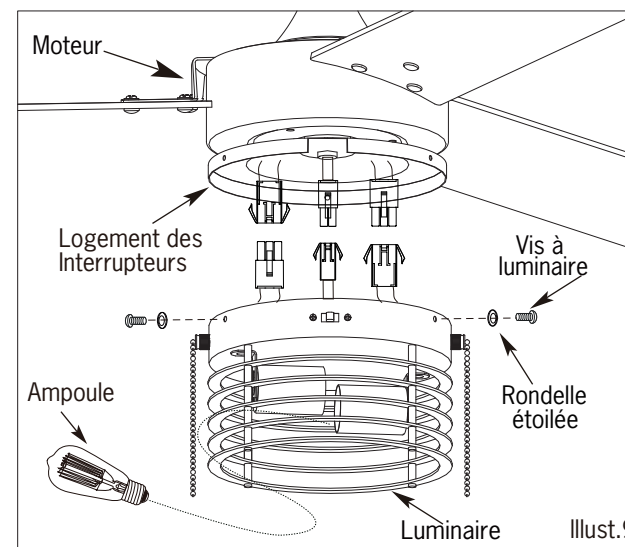
LUMINAIRES DETACHABLES

- Retirez les vis et les rondelles du luminaire.
- Branchez les connecteurs polarisés du luminaire aux connecteurs correspondants qui se trouvent dans le coffret de branchement.

AVERTISSEMENT:

ASSUREZ-VOUS QUE LE COURANT EST COUPÉ AVANT DE FAIRE L'INSTALLATION

- Poussez les fils soigneusement dans le coffret de branchement et alignez les trous du luminaire avec ceux du coffret. Utilisez les trois vis ainsi que les rondelles pour fixer le tout en place.

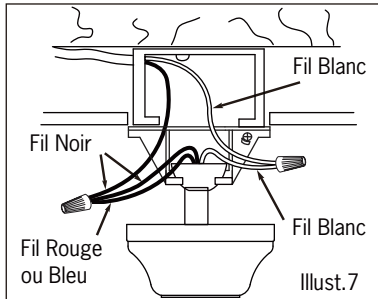


ATTENTION : Vérifiez toutes les connexions, toutes les vis de blocage et les vis afin qu'elles soient bien serrées avant de procéder à la prochaine étape.

Pour nettoyer le luminaire, éteignez-le, attendez qu'il soit froid, puis nettoyez-le avec linge propre et doux.

5. BRANCHEMENT ÉLECTRIQUE (Suite)

B BRANCHEZ LES FILS NOIR, BLANC ET ROUGE OU BLEU



- Branchez le fil blanc de la boîte électrique au fil blanc du ventilateur à l'aide d'un capuchon de connexion (non compris).
- Branchez le fil noir de la boîte électrique au fil noir et au fil rouge ou bleu du ventilateur à l'aide d'un capuchon de connexion (non compris).

REMARQUE: Le fil rouge ou bleu fournit le courant au luminaire s'il y a lieu.

REMARQUE: Une fois les fils connectés, rentrez soigneusement les fils et les capuchons de connexion à l'intérieur de la boîte électrique en vous assurant que les fils ne gênent pas la position de la demi-sphère et du support de montage (montage sur tige de suspension seulement).

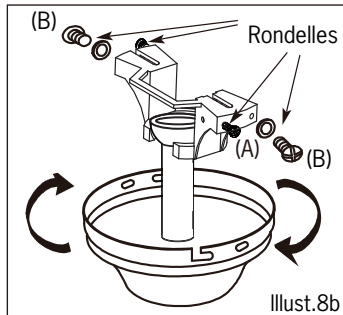
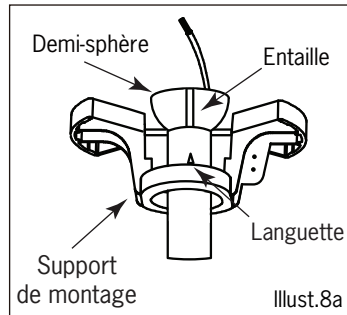
6. ASSEMBLAGE DU MOTEUR

- Posez les deux vis et rondelles sur la plaque de montage, (B) sur le diagramme, qui correspondent aux fentes sur la cloche. Vissez en deux tours.
- Placez la cloche sur la plaque de montage en alignant les fentes sur les vis, (B) sur le diagramme, et tournez pour bloquer.
- Placez et serrez à l'aide des deux vis et rondelles, (A) sur le diagramme, et serrez alors les deux vis, (B) sur le diagramme.

7. ENGAGEZ LA DEMI-SPHÈRE (Montage avec tige de suspension seulement)

- Tournez soigneusement le ventilateur jusqu'à ce la fente de la demi-sphère soit engagée dans l'entaille de la cloche.

AVERTISSEMENT : la languette doit être insérée dans l'ouverture prévue, au risque d'endommager les fils électriques et causer un choc électrique ou un incendie.

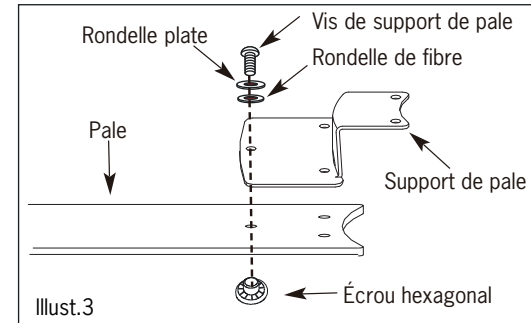


REMARQUE: Lorsque vous installez un ventilateur sur un plafond en pente, assurez-vous que l'entaille sur le support fait face au haut de la pente du plafond. Selon de l'angle de cette pente, une tige plus longue peut être requise afin d'empêcher les pales de cogner au plafond.

2. POSEZ LES SUPPORTS DES PALES AUX PALES

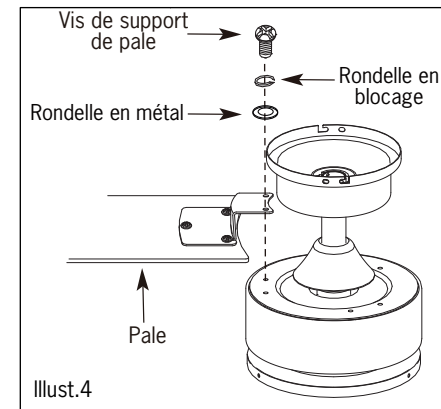
Supports de pale moulés

- Repérez le paquet de quincaillerie.
- Posez les vis de support de pale dans la rondelle plate, la rondelle de fibre et la pale.
- Alignez avec les trous correspondants sur le support de pale.
- Répétez cette procédure pour les deux autres vis et serrez.



3. INSTALLATION DES PALES AU MOTEUR

- Posez les pales au moteur du ventilateur à l'aide des Vis à Ferrure de Pale, Rondelle en Métal et Rondelle de Blocage. Tournez la pale après installation et faites de même pour les autres pales.

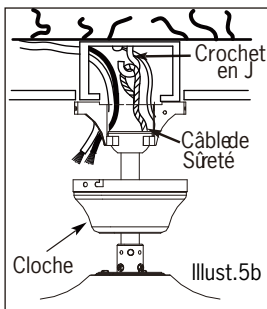
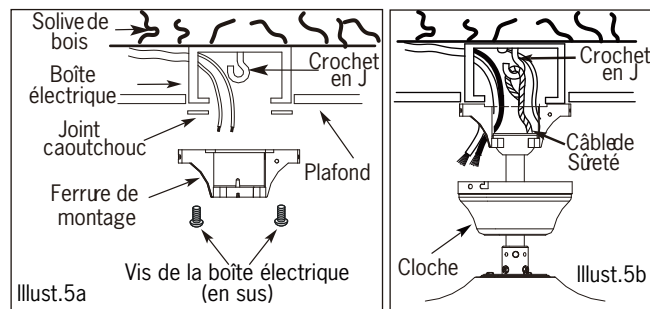


4.

INSTALLEZ LE SUPPORT DE MONTAGE

ATTENTION : pour réduire les risques d'incendies, de chocs électriques ou de blessures corporelles, installez sur une boîte électrique approuvée UL/CSA portant la mention qu'elle peut supporter un ventilateur, et utilisez les vis fournies avec la boîte électrique.

- Installez le crochet en J dans le centre de la boîte électrique puis dans la solive de bois.
- Fixez le support de montage et le joint de caoutchouc à la boîte électrique.
- Suspendez le câble de sécurité sur le crochet en J.
- Suspendez le ventilateur sur le crochet temporaire et posez le câble de sûreté.



5.

BRANCHEMENT ÉLECTRIQUE

- Il existe plusieurs façons de brancher le ventilateur pour satisfaire à vos besoins spécifiques. Si un des moyens mentionnés ne correspond pas à ce que vous désirez, appelez-nous ou visitez votre détaillant le plus près afin d'obtenir une liste des accessoires de contrôles qui sont disponibles.

MISE EN GARDE

Fil Vert - Mise à terre
 Fil Noir (Ventilateur) - Pouvoir
 Fil Blanc (Ventilateur) - Commun
 Fil Bleu ou Rouge (Luminaire) - Pouvoir

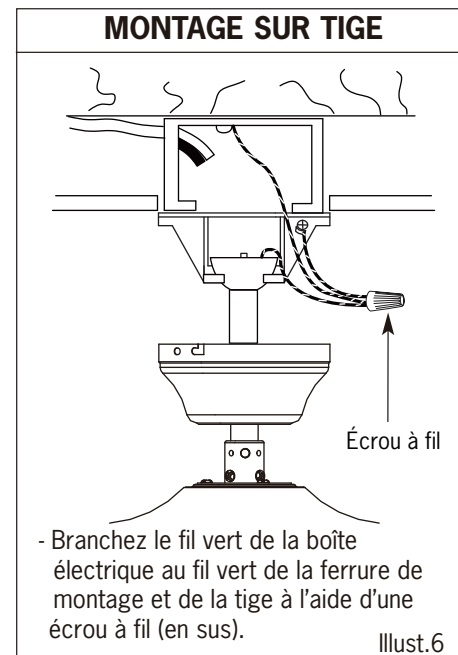
Voir les mises en garde de la Pg. #2 avant de brancher votre ventilateur.

- Après avoir effectué les connexions, assurez-vous que les fils mis à terre et le conducteur d'équipement mis à terre soit séparés dans la boîte électrique des conducteurs sans mises à terre.
- Assurez-vous que les bouts des fils coupés soient pointés vers le haut et soient poussés soigneusement dans la boîte électrique.

A

BRANCHEZ LE FIL VERT (mise à la terre)

MONTAGE SUR TIGE



N.B.: Lorsque les fils sont branchés, pousser soigneusement les fils et les écrous à fils dans la boîte électrique en vous assurant que les fils ne sont pas gênés par l'hémisphère ou la tige lorsque vous positionnez la ferrure de montage (pour installation avec tige seulement).