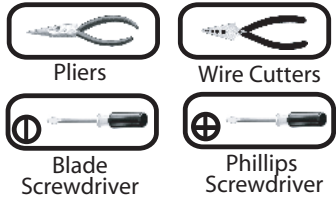


QUESTIONS OR CONCERNS CONTACT CANARM AT:
1-800-265-1833 (English) / 1-800-567-2513 (French)
Monday through Friday 8:00 AM to 5:00 PM E.S.T.



"INSTRUCTIONS PERTAINING TO RISK OF FIRE OR INJURY TO PERSONS"
"READ ALL INSTRUCTIONS"
"IMPORTANT SAFETY INSTRUCTIONS"
"SAVE THESE INSTRUCTIONS"

TOOLS AND MATERIALS REQUIRED:



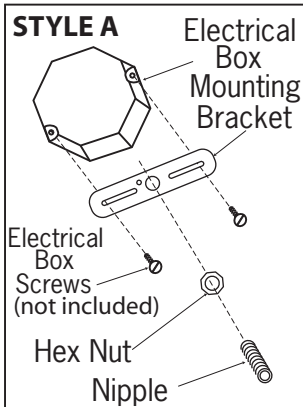
Wiring supplies as required by the Canadian Electrical Code and/or the Quebec Electrical code

SAFETY PRECAUTIONS:

1. TURN OFF ELECTRICAL POWER BEFORE STARTING INSTALLATION OF LIGHT FIXTURE.
2. THIS PRODUCT MUST BE INSTALLED IN ACCORDANCE WITH THE APPLICABLE INSTALLATION CODE BY A PERSON FAMILIAR WITH THE CONSTRUCTION AND OPERATION OF THE PRODUCT AND THE HAZARDS INVOLVED.
3. CONNECT THE GROUND WIRES (BARE COPPER OR GREEN) FROM YOUR FIXTURE TO THE GROUND WIRE (BARE COPPER OR GREEN) OR GROUND SCREW IN THE ELECTRICAL OUTLET BOX.
4. CLEAN GLASS WITH WATER ONLY.

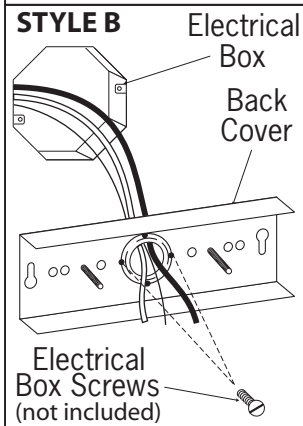
NOTE: Product May Not Look Exactly As Shown In Figures.

INSTALLATION:



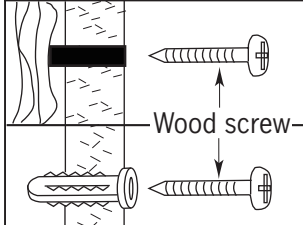
1. NOTE: Refer to the style of assembly that matches the style of your fixture.

STYLE A - Thread nipple into mounting bracket, adjust nipple so it clears fixture when installed. Lock in place by threading hex nut onto nipple and tighten against mounting bracket. Attach mounting bracket to electrical box with electrical box screws (not included).

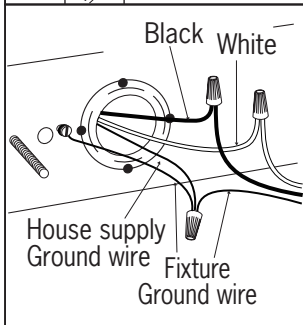


STYLE B - Feed power cords from the outlet box through the centre hole of the back cover. Align holes of back cover over outlet box and secure with outlet box screws (not included).

NOTE: Make sure the back cover is level before tightening the screws.

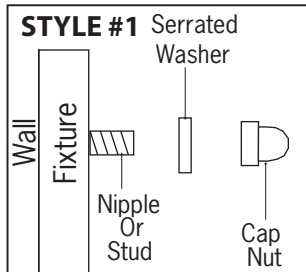


2. Additional support may be required for fixtures longer than 20". Position the fixture and add wood screws (one on each side) for the wooden studs or plastic wall anchor and wood screws for dry wall.



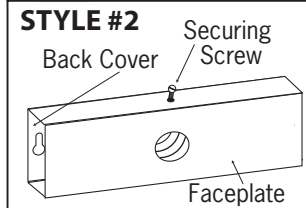
3. Connect the ground wires (bare copper or green) from your fixture to the ground wire (bare copper or green) or ground screw in the electrical outlet box. Connect black wire from fixture to black wire in outlet box and connect the white wire from fixture to white wire in outlet box.

NOTE: Do not disconnect any pre-wired connections.



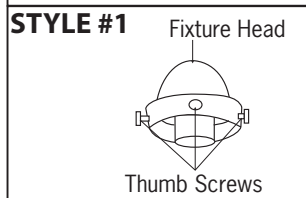
4. NOTE: Refer to the style of assembly that matches the style of your fixture.

Once connections of wires are completed, carefully tuck wires and wire nuts into the outlet box making sure no bare wire (on the black and white) is visible at the wire nuts.



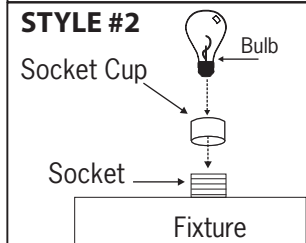
STYLE #1 - Position fixture over nipple or studs, securing in place with serrated washer(s) and cap nut(s).

STYLE #2 - To secure back cover to the front panel, insert and tighten the securing screw at the top of the fixture

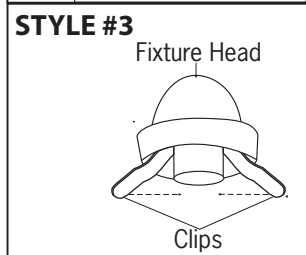


5. Mounting Glass To Fixture (The glass may or may not be included).

NOTE: Refer to the style of assembly that matches the style of your fixture.

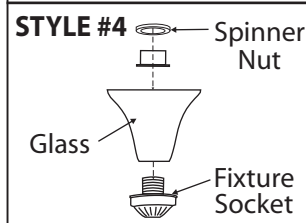


STYLE #1 - Using thumb screws provided, attach the glass to the fixture head. Place the glass into the fixture head and tighten screws into the groove in the glass.



STYLE #2 - Push and twist socket cups onto socket. Insert bulb. Repeat for each socket.

STYLE #3 - Squeeze the two clips together around the socket. Slide the glass over the clips, then push the glass up snug to the fixture head.



STYLE #4 - Remove spinner nut from socket. Position glass on the fixture and secure with spinner nut.

Note: Glass may face up or down.