

## **CANARM 5 YEAR LIMITED WARRANTY**

**"THANK YOU"** for purchasing a Canarm product. It is our policy to furnish you with high quality products at a fair price. With proper installation your fan should provide you with years of money saving comfort.

This fan is guaranteed to be free from defects in workmanship and material for a period of five (5) years from date of purchase. Within the first (1) year from date of purchase any defective product should be returned to your **RETAIL OUTLET** along with proof of purchase. For the balance of the warranty, four (4) years, the **MOTOR WINDINGS ONLY** shall be free of defects. We will correct such defects or replace the motor assembly at our option if the product is returned, **FREIGHT PREPAID**, to Canarm. The returned fan must be accompanied by **your proof of purchase and a cheque for \$20.00** for handling and labour charges.

All costs of removing and re-installing the product are **YOUR RESPONSIBILITY**. Damage to any part as such by accident, misuse, improper installation or by affixing any accessories **IS NOT** covered by this warranty. As a result of varying climatic conditions in our area this warranty does not cover any changes in finishes, including rusting, pitting, corroding, tarnishing or peeling.

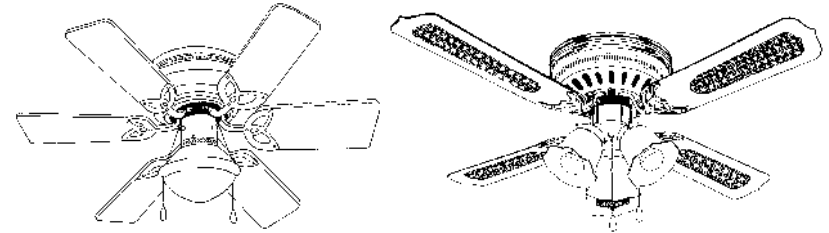
**WARRANTY VOID: In cases of alteration, abuse, installation not in accordance with instructions or REMOVAL of the C.S.A. Sticker.**

CF-2  
06/13



## **INSTALLATION INSTRUCTIONS**

### **HUGGER STYLE**



"INSTRUCTIONS PERTAINING TO RISK OF FIRE OR INJURY TO PERSONS"  
"READ ALL INSTRUCTIONS"



**"IMPORTANT SAFETY  
INSTRUCTIONS"  
"SAVE THESE INSTRUCTIONS"**

**INSTALLATION AND WIRING TO BE IN ACCORDANCE WITH CEC,  
NEC, LOCAL ELECTRICAL CODES and ANSI/NFPA 70.  
Consult a qualified electrician if you are not familiar with wiring.**

### **TOOLS AND MATERIALS REQUIRED**

- Philips Screw Driver
- Blade Screw Driver
- Step Ladder
- Wire Cutters
- Wiring supplies as required by electrical code.



NOTE: FOR OPTIMUM QUIETNESS, FULLY ASSEMBLE FAN AND RUN 24 HOURS

**CANARM LTD.**  
2157 Parkedale Ave.,  
Brockville, Ontario  
K6V 5V6  
PH: (613) 342-5424  
FX: (613) 342-8437

QUESTIONS OR CONCERNS CONTACT CANARM AT:  
1-800-265-1833 (English)  
1-800-567-2513 (French)  
Monday through Friday 8:00 a.m. to 5:00 p.m. E.S.T.

**CANARM LTEE.**  
8500 Rue Grenache,  
Anjou, Quebec  
H1J 2B1  
PH: (514) 353-2255  
FX: (514) 353-2522

## **SAFETY PRECAUTIONS**

1. Turn off power at main electrical service box before starting installation.
2. **Electrical connections must comply with local code ordinances, national electrical codes, CEC, NEC and ANSI/NFPA 70.**
3. Make sure the installation site you choose allows the fan blades to rotate freely without any obstructions.
4. When mounting the fan on a ceiling outlet box, Use an approved (CSA for Canada and UL for U.S.) ceiling fan box marked "**FOR FAN SUPPORT**".  
**Ensure the outlet box is securely installed in place such that it is able to support at least the fan weight.**
5. **WARNING:** To reduce the risk of fire, electric shock, or personal injury, mount fan only to an outlet box marked acceptable for fan support and use mounting screws provided with the outlet box. Most outlet boxes commonly used for the support of lighting fixtures are not acceptable for fan support and may need to be replaced. Consult a qualified electrician if in doubt.
6. **Total Fan Weight For Reference: 30" approximate 5.0 kgs(11.02lbs), 36" approximate 6.0 kgs(13.23lbs), 42" approximate 7.5 kgs(16.53lbs), 48" approximate 8.0 kgs(17.63lbs), 52" approximate 9.0 kgs(19.84lbs).**

## **WARNING**

- To reduce the risk of fire or electrical shock **DO NOT** use this fan with any solid state speed control device.
- To reduce the risk of personal injury **DO NOT** bend the blade brackets when installing the brackets, balancing the blades or cleaning the fan. Also, **DO NOT** insert foreign objects in between rotating fan blades.
- Mount with the lowest moving parts at least 2.15 Meters (7 Feet) above floor or grade level.
- **DO NOT** operate reversing switch while fan blades are in motion. Fan must be turned off and rotating blades stopped, reverse chain pulled, the speed chain pulled again to start in the opposite direction.

## **INSTRUCTIONS**

A ceiling fan has a **completely** internal switching system for total operation by way of pull **chains**. On a fan/light combination, three pull chains will **exist**: One for light, on and off. The second is for fan speeds. This will be marked (SPEED) on the fan switch housing.

- 1st Pull will give fan High Speed
- 2nd Pull will give fan Medium Speed
- 3rd Pull will give fan Low Speed
- 4th Pull will Shut Fan Off

The third pull chain is for Forward/Reverse# (**Note: Some models come with a slide switch instead of a pull chain**). This setting would usually be changed **twice** per year. Downdraft **in** summer to create a wind chill to give a cooling effect. Updraft in winter to circulate the hot stratified air off the ceiling and back down to the floor without creating a wind chill.

## **TROUBLESHOOTING**

### **TROUBLE**

1. Fan will not start
2. Fan sounds noisy
3. Fan wobbles or shakes excessively.

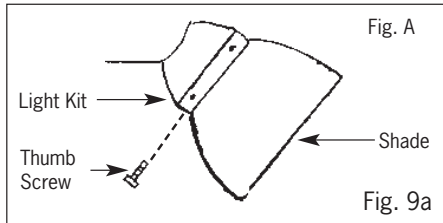
### **SUGGESTIONS**

- Check wiring connections to fan.
- Check fuses and circuit breakers.
- Check wiring connections in switch housing.
- CAUTION: Turn power off for last two items.**
- Check to make sure that all screws in motor housing are snug.
- Check to make sure that blade bracket screws are tight.
- Check to make sure that marrettes in switch housing are not rattling against wall of switch housing.
- If fan has a light kit make sure switch housing screws and set screws are tight.
- Some fan motors are sensitive to signals from solid state variable controls. If solid state controller is used, change to an alternative control. (See a Canarm representative for a list of available controls.)
- Allow a 24 hour break in period to eliminate most noises.
- Check that all blades are screwed firmly into blade brackets.
- Check that blade brackets are secured firmly to motor.
- Check distance from tip of blades to ceiling. Gently bend up or down the blade brackets until all distances are the same.
- Check distance between blade tip to blade tip. All measurements should be equal. Loosen blade screws and position blade until even then re-tighten.
- Check that the downrod hemisphere notch is engaged in canopy.
- Check to make sure that jam screws in downrod are tightened.
- Make sure canopy and mounting bracket are tightened securely to wooden joist.
- Make sure warpage has not occurred in wooden blades. If so, contact the Canarm customer service department for replacement parts.

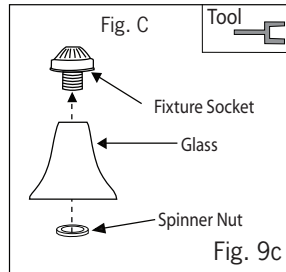
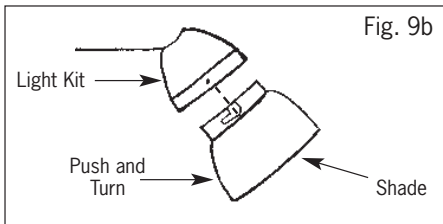
## 7. LIGHT KITS (Optional in some fans)

### A DETACHABLE LIGHT KITS (Continued)

- Place shades on light kit and secure with either screws, finger tight, or push and turn for pop-off style shades.
- Install proper wattage and type of bulb identified on light kit or shade.

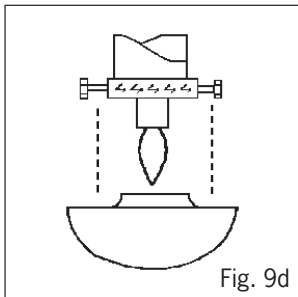


or



### B PERMANENTLY ATTACHED LIGHT

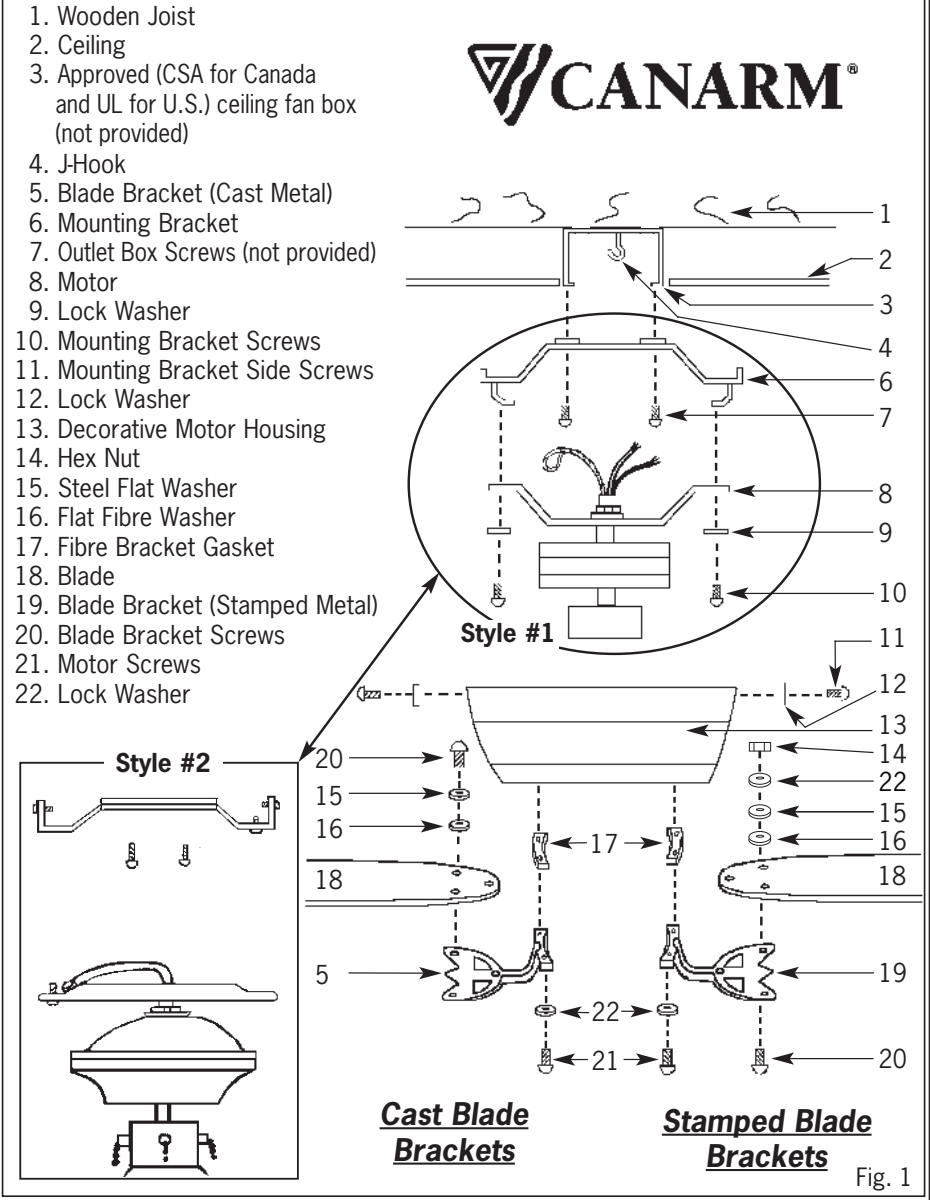
- Loosen thumb screws on light.
- Install proper wattage and type of bulb identified on light or shade.
- Place shade on light and secure with thumb screws, finger tight.



**NOTE:**  
Electrical diagrams are for reference only. Light kits that are not packed with the fan must be CSA/UL Listed and marked suitable for use with the model fan you are installing. Switches must be CSA/UL General Use Switches. Refer to the instructions packaged with the light kits and switches for proper assembly.

**WARNING: Check all connections, set screws and screws are securely tightened before the next step.**

## ASSEMBLY DRAWING



# INSTALLATION

**NOTE:** All set screws must be checked and retightened where necessary, before and after installation.

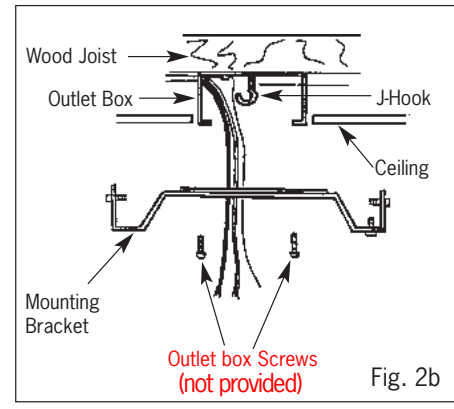
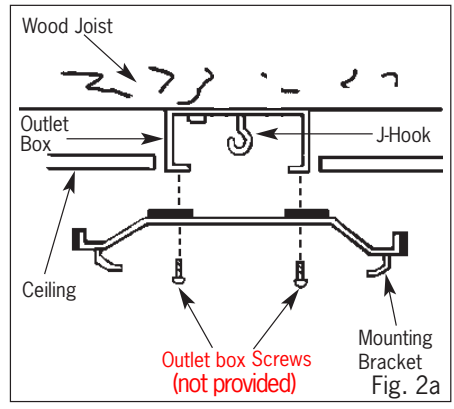
## 1. INSTALL MOUNTING BRACKET

**WARNING:** To Reduce The Risk Of Fire, Electric Shock, Or Personal Injury, Mount To UL/CSA Listed Outlet Box Marked Acceptable for Fan Support And Use Mounting Screws Provided With The Outlet Box.

- Install J-Hook through centre of outlet box and into the wooden joist.
- Mount "mounting bracket" to outlet box using outlet box screws.

**Style #1**

**Style #2**



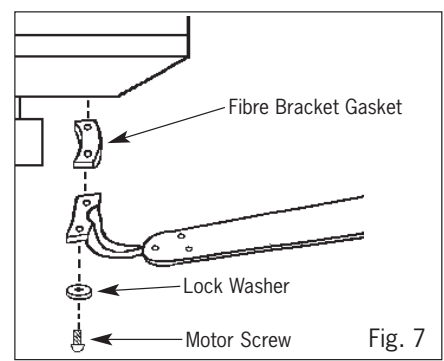
## 2. ELECTRICAL HOOK UP

- There are several different wiring combinations that can be used in controlling your ceiling fan to meet your specific requirements. Should the following method not meet your requirements call or visit your nearest Canarm distributor for a full list of fan accessories.

CAUTION	
Green Wire - GROUND	
Black Wire (Fan) - POWER	
White Wire (Fan) - COMMON	
Red or Blue Wire (Light Kit) - POWER	
<b>SEE SAFETY PRECAUTIONS ON PG. #2 BEFORE WIRING</b>	

## 6. MOUNTING BLADE BRACKETS AND BLADES TO MOTOR

- Remove motor screws and lock washers from motor.
- Insert a motor screw and lock washer into blade bracket.
- Turn motor until hole spacing on motor corresponds with the holes in the blade bracket.
- Place fibre bracket gasket over screw.
- Screw the motor screw into the motor (two turns). Repeat procedure for second screw.
- Tighten both screws down with screw driver.



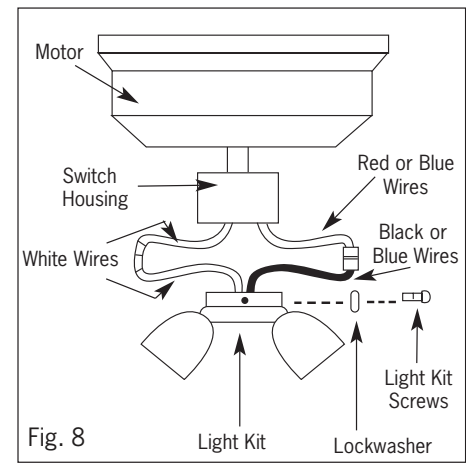
## 7. LIGHT KITS (Optional in some fans)

### A DETACHABLE LIGHT KITS

- Remove light kit screws and washers.
- Connect polarized connectors of light kit to corresponding connectors found in switch housing.

**WARNING: BE SURE TO TURN OFF POWER BEFORE INSTALLING**

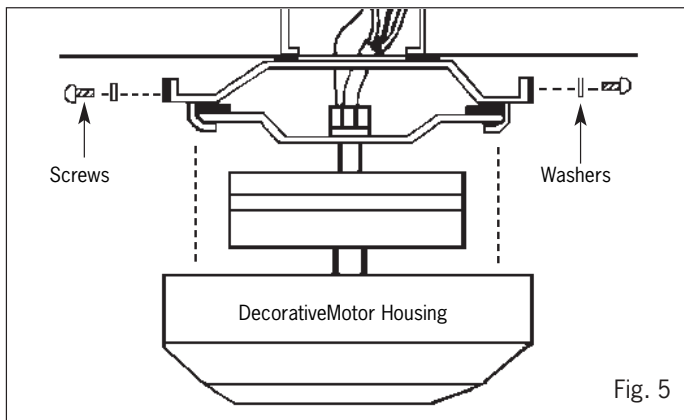
- Carefully tuck electrical wires back into switch housing, align light kit with switch housing and secure with three light kit screws and washers.



## 4.

### **INSTALL DECORATIVE MOTOR HOUSING**

- Remove 4 screws and washers from sides of mounting bracket.
- Position decorative motor housing so that the holes in housing align with holes in mounting bracket.
- Tighten decorative motor housing using the 4 screws and washers previously removed.

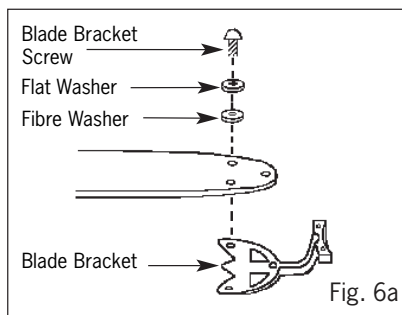


## 5.

### **MOUNT BLADE BRACKETS TO BLADES**

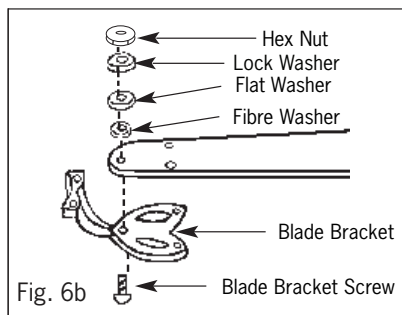
#### **Cast Blade Brackets**

- Take out hardware package.
- Place blade bracket screw through flat washer, fibre washer and blade.
- Align with corresponding hole in blade bracket.
- Repeat with (2) remaining screws and tighten.



#### **Stamped Blade Brackets**

- Take out hardware package.
- Place blade bracket screw through hole in blade bracket.
- Align with corresponding hole in blade bracket.
- Place fibre washer and flat washer over blade bracket screw and secure with hex nut.
- Repeat with (2) remaining screws and tighten.

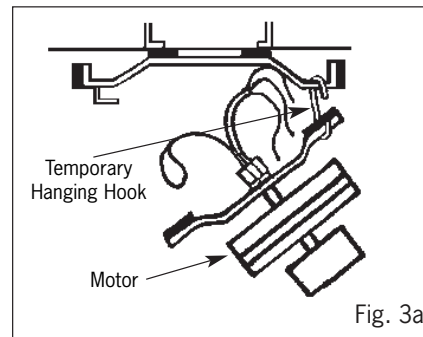


## 2.

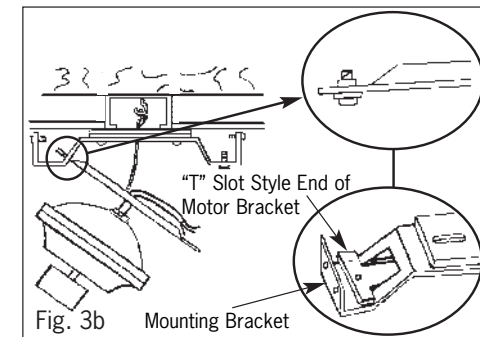
### **ELECTRICAL HOOK UP (Continued)**

- Hang motor from mounting bracket using temporary hanging hook.
- Hang fan on mounting bracket by holding motor so that inside of motor is pointing down, insert "T" slot style end of motor bracket into rectangular cut out in mounting bracket. **NOTE:** Remove screw and lock washer from "T" slot end of motor bracket before hanging.

#### **Style #1**

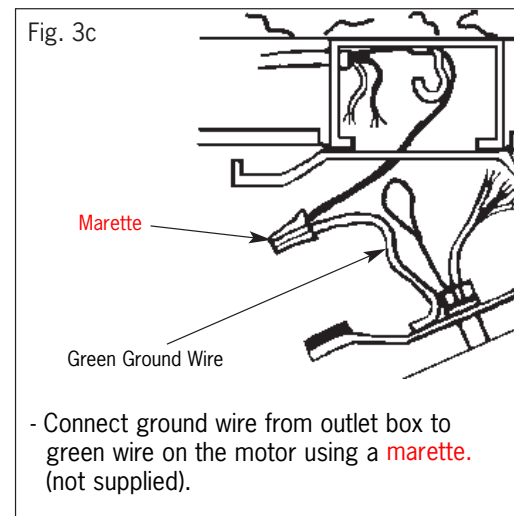


#### **Style #2**



## A

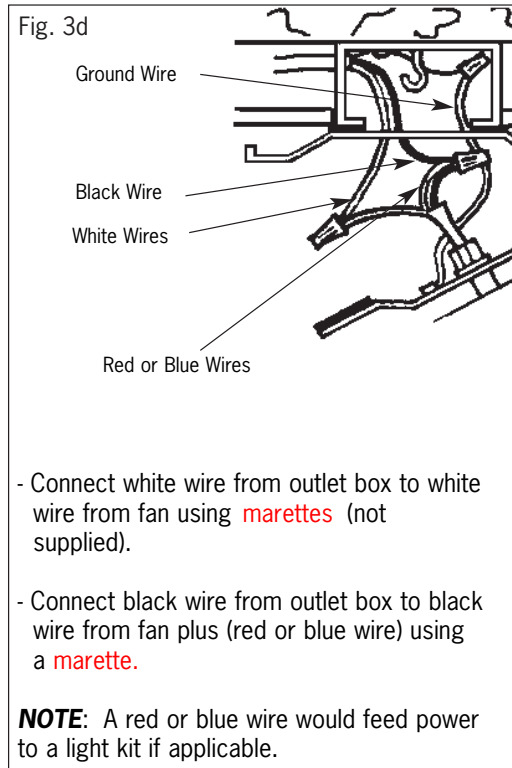
### **CONNECTING THE (GREEN) GROUND WIRE**



- Connect ground wire from outlet box to green wire on the motor using a marette. (not supplied).

## 2. ELECTRICAL HOOK UP (Continued)

### B CONNECTING BLACK, WHITE, AND (RED OR BLUE) WIRES



- After making the wire connections, ensure the wires should be spread apart with the grounded conductor and the equipment-grounding conductor on one side of the outlet box and the ungrounded conductor on the other side of the outlet box.
- Ensure the splices after being made should be turned upward and pushed carefully up into the outlet box.

**NOTE:** Once ground wires are connected, carefully tuck wires and marrettes into supply box.

## 3. MOUNT MOTOR TO MOUNTING BRACKET

- Place the looped end of the safety cable over the J-Hook.
- Remove the four bottom screws and washers from the mounting bracket.
- Remove the temporary hanging hook.
- Align motor with mounting bracket and slide in place until the four holes line up.
- Tighten motor to mounting bracket using the four screws and washers previously removed.
- Neatly tuck all electrical wires into outlet box.

Style #1

Style #2

