

INSTALLATION INSTRUCTIONS

FM-WXX206/FM-WXX205

CAUTION: TO PREVENT ELECTRICAL SHOCK, ENSURE ELECTRICITY HAS BEEN TURNED OFF AT THE CIRCUIT BREAKER BEFORE BEGINNING.

READ ALL INSTRUCTIONS BEFORE INSTALLING.

SYSTEM IS INTENDED FOR INSTALLATION BY A LICENSED ELECTRICIAN IN ACCORDANCE WITH THE NATIONAL ELECTRICAL CODE (NEC) AND LOCAL REGULATIONS.

WHEN HANDLING THE FIXTURE, DO NOT APPLY PRESSURE TO THE LEDS. HOLD THE FIXTURE BY THE BASE ONLY.

RETAIN INSTALLATION INSTRUCTIONS FOR FUTURE MAINTENANCE REFERENCE.

WARNING: ALL PARTS MUST BE USED AS INDICATED IN THESE INSTRUCTIONS. THIS PRODUCT IS DESIGNED FOR USE ONLY WITH THE SUPPLIED PARTS AND/OR ACCESSORIES. SUBSTITUTION OF PARTS OR ACCESSORIES NOT DESIGNATED FOR USE WITH THIS PRODUCT COULD RESULT IN PERSONAL INJURY OR PROPERTY DAMAGE, AND WILL VOID THE WARRANTY. CONTACT AN AUTHORIZED DEALER OR THE MANUFACTURER IF ANY PARTS ARE DAMAGED OR MISSING.

MAINTENANCE NOTE: COASTAL CONDITIONS MAY CAUSE MINERAL AND RESIDUE BUILD-UP ON THE FIXTURE. WE RECOMMEND THAT CUSTOMERS IN COASTAL AREAS CLEAN ALL EXTERNAL SURFACES OF THE FIXTURE ONCE EVERY TWO WEEKS WITH A WET CLOTH.

MISE EN GARDE: POUR ÉVITER TOUT CHOC ÉLECTRIQUE, ASSUREZ-VOUS QUE LE DISJONCTEUR SOIT MIS HORS TENSION AVANT DE COMMENCER.

LISEZ TOUTES LES INSTRUCTIONS AVANT L'INSTALLATION.

LE SYSTÈME DOIT ÊTRE INSTALLÉ PAR UN ÉLECTRICIEN LICENCIÉ CONFORMÉMENT AU CODE NATIONAL DE L'ÉLECTRICITÉ (NEC), ET ÉGALEMENT AUX RÈGLEMENTS LOCAUX.

LORS DE LA MANIPULATION DU LUMINAIRE, N'APPUYEZ PAS SUR LES LED. TENEZ-LE UNIQUEMENT PAR LA BASE.

ATTENTION: TOUTES LES PIÈCES DOIVENT ÊTRE UTILISÉES COMME INDIQUÉ DANS CES INSTRUCTIONS. CE PRODUIT EST CONÇU POUR ÊTRE UTILISÉ SEULEMENT AVEC LES PIÈCES ET/OU ACCESSOIRES FOURNIS. REMPLACER DES PIÈCES OU ACCESSOIRES NON CONÇUS POUR CE PRODUIT POURRAIT CAUSER DES DOMMAGES CORPORELS OU MATÉRIELS ET POURRAIT ÉGALEMENT CAUSER L'ANNULATION DE LA GARANTIE. VEUILLEZ CONTACTER UN REVENDEUR AUTORISÉ OU LE FABRICANT SI DES PIÈCES MANQUENT OU SONT ENDOMMAGÉES.

NOTE D'ENTRETIEN: LES CONDITIONS CÔTIÈRES PEUT CAUSER UNE ACCUMULATION DE MINÉRAUX ET DE RÉSIDUE SUR LE LUMINAIRE. NOUS RECOMMANDONS AUX CLIENTS QUI RESIDENT DANS LES ZONES CÔTIÈRES DE NETTOYER TOUTES LES SURFACES EXTERNES DU LUMINAIRE UNE FOIS TOUTES LES DEUX SEMAINES AVEC UN CHIFFON HUMIDE.

HARDWARE



Wire Connector
Qty: 3pcs+1 Extra



Mounting Screw
Qty: 1 Extra

Contact us:
Phone (800) 526.2588
Fax (800) 526.2585

Headquarters/Eastern Distribution Center
44 Harbor Park Drive
Port Washington, NY 11050

Central Distribution Center
1600 Distribution Ct
Lithia Springs, GA 30122

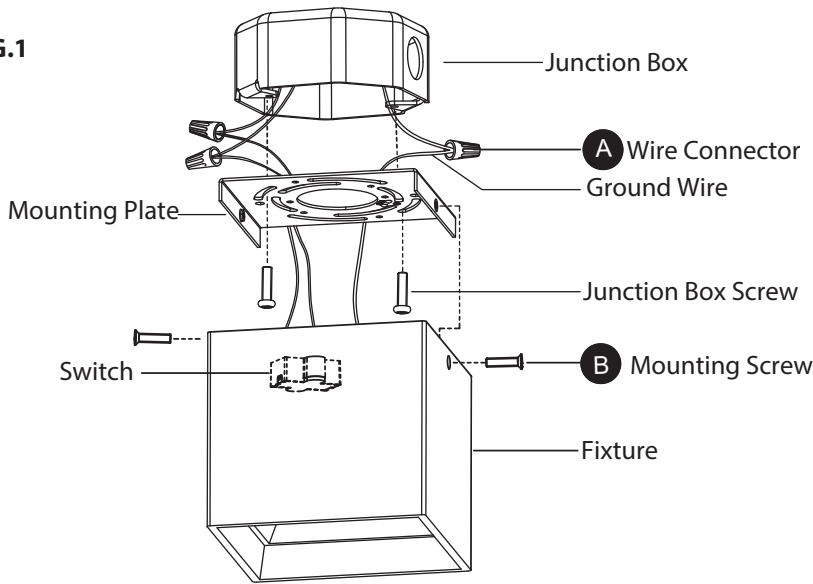
Western Distribution Center
1750 Archibald Avenue
Ontario, CA 91760



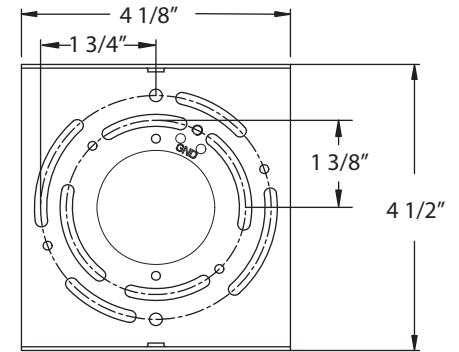
INSTALLATION INSTRUCTIONS

FM-W47206/FM-W62205

FIG.1



Mounting Plate Dimensions



PREPARATION

1. Shut off the power at the circuit breaker and remove existing fixture, including the crossbar.
2. Carefully unpack your new fixture and lay out all the parts on a clear area. Be careful not to lose any small parts necessary for installation.

MOUNTING THE FIXTURE (Fig. 1)

3. Remove the mounting screws(B) and take out the mounting plate.
4. The lamp can switch between three color temperatures (3000K-3500K-4000K), which can be adjusted to your preference with the switch in the fixture (Fig.3).
5. Secure the mounting plate to the junction box using standard junction box screws that comes with the junction box.
Note: (i) using any other non-original-manufacturer provided junction box screw may result in safety issue;
(ii) The side of the mounting back plate marked "GND" must face out.

CONNECTING THE WIRES (Fig. 2)

6. Connect the fixture's wires to junction box wires as shown in Fig. 2, making sure that all wire connectors (A) are secured. If your outlet box has a green or bare copper ground wire, connect the fixture's ground wire to it. Otherwise, connect the fixture's ground wire directly to the mounting plate using the screw provided. After wires are connected, tuck them carefully inside the junction box.

COMPLETING THE INSTALLATION (Fig. 1)

7. Place the fixture over the mounting plate and secure it using mounting screws(B).
8. To prevent moisture from entering the outlet box and causing a short, use clear caulking (i.e. indoor/outdoor silicone sealant) to outline the outside of fixture back plate where it meets the wall (Fig.4).

Fig. 2 Wiring

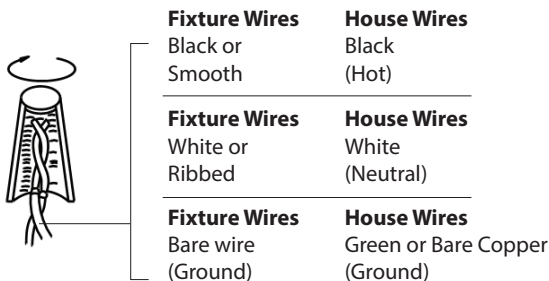


FIG. 3 Switch

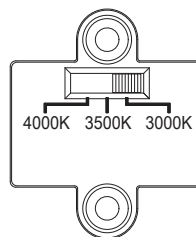
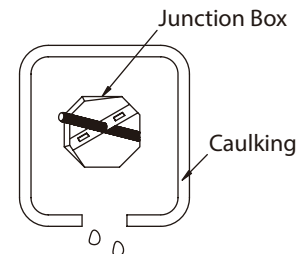


Fig. 4



Contact us:
Phone (800) 526.2588
Fax (800) 526.2585

Headquarters/Eastern Distribution Center
44 Harbor Park Drive
Port Washington, NY 11050

Central Distribution Center
1600 Distribution Ct
Lithia Springs, GA 30122

Western Distribution Center
1750 Archibald Avenue
Ontario, CA 91760

