

INSTALLATION INSTRUCTIONS

249-LED Wall Sconce

BL-24959

MODERN FORMS

CAUTION: To prevent electrical shock, ensure electricity has been turned off at the circuit breaker before beginning.

- Read all instructions before installing.
- System is intended for installation by a licensed electrician in accordance with the National Electrical Code (NEC) and local regulations.
- When handling the fixture, do not apply pressure to the LEDs. Hold the fixture by the base only.
- Retain installation instructions for future maintenance reference.

WARNING: All parts must be used as indicated in these instructions. This product is designed for use only with the supplied parts and/or accessories designated for use by WAC Lighting/dweLED/Modern Forms. Substitution of parts or accessories not designated for use with this product by WAC Lighting/dweLED/Modern Forms could result in personal injury or property damage, and will void the warranty. Contact an authorized dealer or the manufacturer if any parts are damaged or missing.

MISE EN GARDE: Pour éviter tout choc électrique, assurez-vous que le disjoncteur soit mis hors tension avant de commencer.

- Lisez toutes les instructions avant l'installation.
- Le système doit être installé par un électricien licencié conformément au code national de l'électricité (NEC), et également aux règlements locaux.
- Lors de la manipulation du luminaire, n'appuyez pas sur les LED. Tenez-le uniquement par la base.

ATTENTION: Toutes les pièces doivent être utilisées comme indiqué dans ces instructions. Ce produit est conçu pour être utilisé seulement avec les pièces et/ou accessoires fournis pour être utilisés avec les produits WAC Lighting/dweLED/Modern Forms. Remplacer des pièces ou accessoires non conçus pour ce produit WAC Lighting/dweLED/Modern Forms pourrait causer des dommages corporels ou matériels et pourrait également causer l'annulation de la garantie. Veuillez contacter un revendeur autorisé ou le fabricant si des pièces manquent ou sont endommagées.

HARDWARE

A



Wire Connector
Qty:3PCS+1Extra

B



Wood Screw
Qty:2PCS+1Extra

C



Plastic Anchor
Qty:2PCS+1Extra

D



Mounting Screw
Qty:1Extra

E



Fixture tail
Qty:1PC

F



Driver
Qty:1PC

G



Conversion Plate Screw
Qty:1PC+1Extra

H



Conversion Plate
Qty:1PC

I



Mounting Ring
Qty:1PC

modernforms.com
Phone (800) 526.2588
Fax (800) 526.2585

Headquarters/Eastern Distribution Center
44 Harbor Park Drive
Port Washington, NY 11050

Central Distribution Center
1600 Distribution Ct
Lithia Springs, GA 30122

Western Distribution Center
1750 Archibald Avenue
Ontario, CA 91760



FIG. 1 MOUNT ON SWITCH BOX

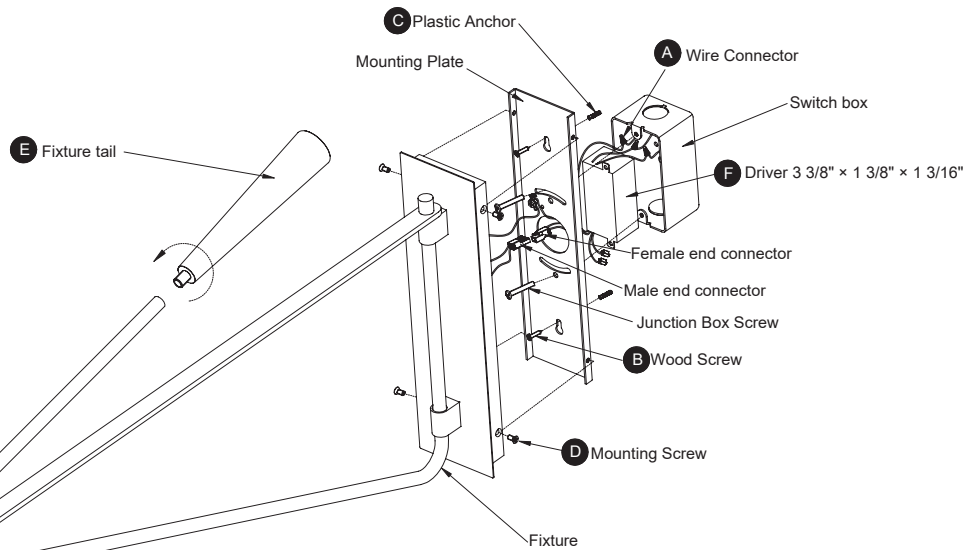


FIG.2 MOUNT ON JUNCTION BOX.

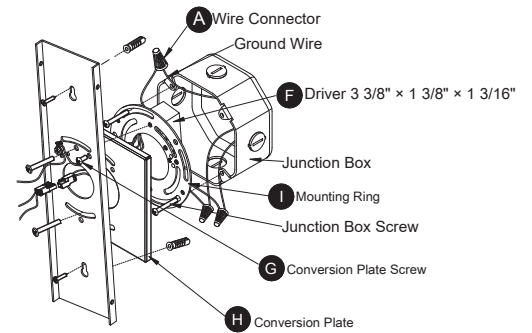
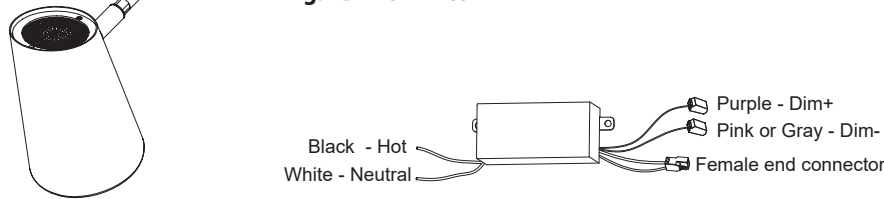


Fig.4 Driver wires



PREPARATION

1. Shut off the power at the circuit breaker and remove existing fixture, including the crossbar.
2. Carefully unpack your new fixture and lay out all the parts on a clear area. Be careful not to lose any small parts necessary for installation.

MOUNT ON SWITCH BOX (Fig. 1)

3. Remove the mounting screw (D) from the fixture.
 4. Secure the fixture tail (E) to screw into the fixture's tube.
 5. Drill holes in the wall aligned with the key holes located in the mounting plate, insert the plastic anchor (C).
 6. Connect the driver's(F) input wires with switch box wires as shown in Fig.1, making sure that all wire connectors (A) are secured. If your outlet box has a green or bare copper ground wire, connect the fixture's ground wire to it. Otherwise, connect the fixture's ground wire directly to the mounting plate using the green screw provided. After wires are connected, tuck them carefully inside the switch box
- * Requires Driver to be recessed in the switch box.**

FIG. 3 Wiring



Fixture Wires	House Wires
Black or Smooth	Black (Hot)
White or Ribbed	White (Neutral)
Bare wire (Ground)	Green or Bare Copper (Ground)

INSTALLATION INSTRUCTIONS

249-LED Wall Sconce

BL-24959

MODERN FORMS

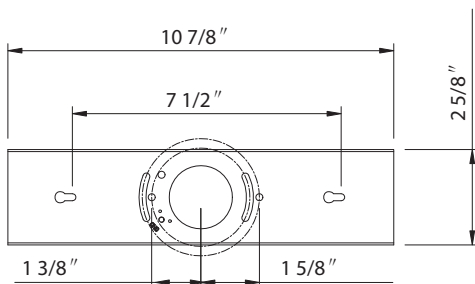
7. Secure the mounting plate to the switch box using the junction box screw. Fasten it to the wall using wood screw (B) onto the plastic anchor. The side of the mounting plate marked "GND" must face out.
8. Connect the driver output wires with the fixture by Female/Male end connector.
9. Place the fixture over the mounting plate, and secure it with mounting screw (D).
10. This fixture features electronic low voltage (ELV or TRAIC) or 1-10V dimming capabilities. See Fig.4 for specific dimming wires information.

OR

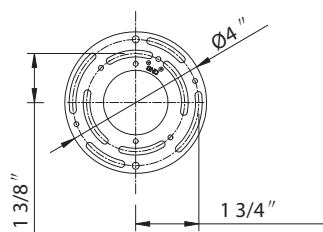
MOUNT ON JUNCTION BOX (Fig. 2)

3. Remove the mounting screw (D) from the fixture.
4. Secure the fixture tail (E) to screw into the fixture's tube.
5. Drill holes in the wall aligned with the key holes located in the mounting plate, insert the plastic anchor (C).
6. Secure the mounting plate to the conversion plate (H) using conversion plate screw(G).
7. Connect the driver's(F) input wires with junction box wires as shown in Fig.2, making sure that all wire connectors (A) are secured. If your outlet box has a green or bare copper ground wire, connect the fixture's ground wire to it. Otherwise, connect the fixture's ground wire directly to the mounting plate using the green screw provided. After wires are connected, tuck them carefully inside the junction box.
***Requires Driver to be recessed within the junction box.**
8. Secure the mounting ring (I) to the junction box using the junction box screw. Make sure the two holes (Spacing 2-3/4") are horizontal as shown in Fig. 2.
9. Secure the mounting plate and conversion plate (H) to the mounting ring with junction box screw. Fasten it to the wall using wood screw (B) onto the plastic anchor. The side of the mounting plate marked "GND" must face out.
10. Connect the driver output wires with the fixture by Female/Male end connector.
11. Place the fixture over the mounting plate, and secure it with mounting screw (D).
12. This fixture features electronic low voltage (ELV or TRAIC) or 1-10V dimming capabilities. See Fig.4 for specific dimming wires information.

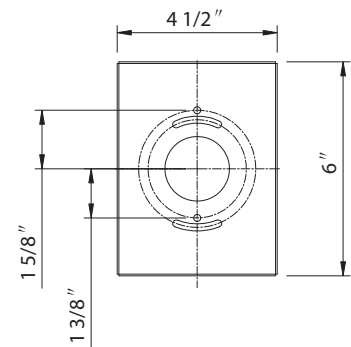
Mounting Plate Dimensions



Mounting Ring Dimensions



Conversion Plate Dimensions



modernforms.com
Phone (800) 526.2588
Fax (800) 526.2585

Headquarters/Eastern Distribution Center
44 Harbor Park Drive
Port Washington, NY 11050

Central Distribution Center
1600 Distribution Ct
Lithia Springs, GA 30122

Western Distribution Center
1750 Archibald Avenue
Ontario, CA 91760

