



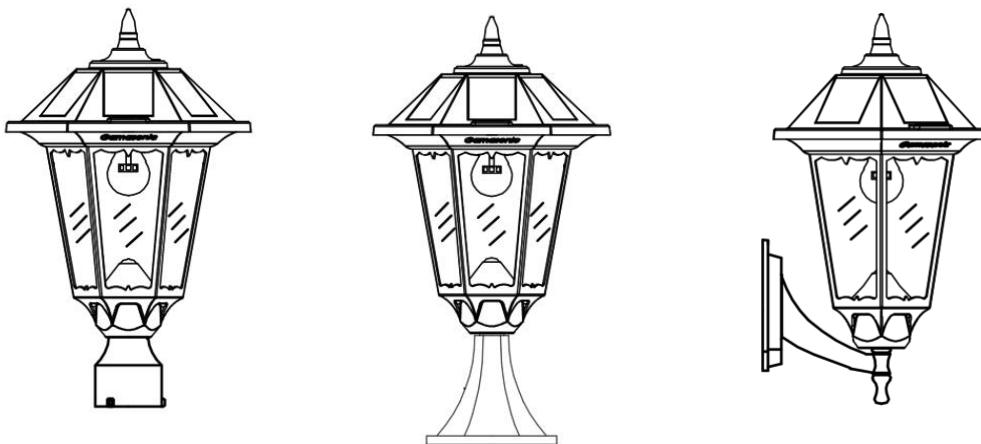
WINDSOR BULB SOLAR LAMP

US Patent # 7172307

US Patent # 9458970

Instruction Manual

Model: GS-99B-FPW



Introduction

Thank you for your purchase! **GAMA SONIC**[®] solar charged accent lighting eliminates the problems associated with most solar lighting available today. **GAMA SONIC**[®] solar charged lights are brighter and last all night with a typical solar charge. Unique design, superior light output and numerous installation options confirm the outstanding value of our product.

GAMA SONIC[®] has been recognized as a worldwide leader in the lighting industry for over 20 years. The company also offers unique multi-purpose rechargeable products that range from party lights to emergency lighting products.

Technical Assistance/Warranty Claims/Replacement Parts

Toll Free Number: **+1-800-835-4113** (only within the US) or www.gamasonic.com

Visit our website or download the latest version of your instruction manual:

www.gamasonic.com or www.gamasonic.com/user-guides

Please read the instruction manual carefully to obtain the best results from your purchase.

WARNING: GAMA SONIC® Light bulbs are built and designed for Gama Sonic products only. They are not designed to be used in other electrical sockets. For the same reason, regular AC and/or Low Voltage bulbs cannot be used in Gama Sonic products.

NOTE: If you are replacing an existing gas/electric post light, you must consult a certified technician to cancel them before installation.

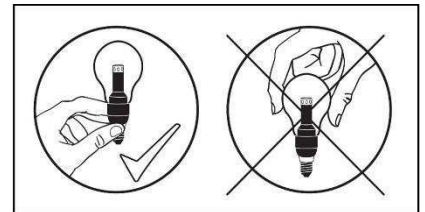
1. Solar Lamp Location

For optimum light duration throughout the night, it is very important to mount your solar lamp post in a spot where it will receive the maximum amount of direct sunlight throughout the day. The solar light must be charged in full sun for two days in the "ON" position for the best results.

NOTE: The following steps are for reference only. Consult your local hardware store for the best installation method for your chosen surface.

2. Assembly Instructions

1. Screw lamp finial into the top of the lamp.
2. Using a screwdriver remove both screws and remove the fixture top.
3. Screw in provided A-60 Gama Sonic bulb while gripping the base only see **(Fig. 1)**.
4. Reverse step 2 and re-attach fixture top.



(Fig. 1)

3. Installation Instructions

NOTE: The following steps are for reference only. Consult your local hardware store for the best installation method for your surface.



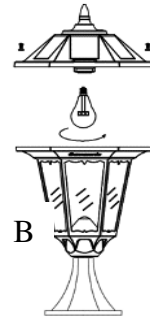
(3" Fitter Mount)

1. Attach Part (A) to the bottom of the fixture by twisting clockwise.
2. Place the entire fixture on top of the existing 3" post and hand tighten using the 3 set screws provided.

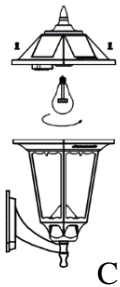
****WARNING DO NOT OVERTIGHTEN SCREWS****

(Pier Mount)

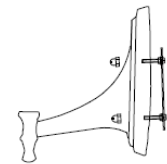
1. Attach Part (B) to the bottom of the fixture by twisting clockwise.
2. Use an electric drill to make four holes in the desired surface. Place provided anchors into holes, place the base of the lamp in line with the holes and attach with the provided screws.



(Wall Mount)



1. Attach Part (C) to the bottom of the fixture by twisting clockwise.
2. Remove the silver back bracket by removing the 2 screw caps on the front face of the wall mount see **(Fig.2)**.
3. Screw the silver bracket onto the desired surface.
4. Place lamp onto bracket and replace the 2 wall mount screw caps.

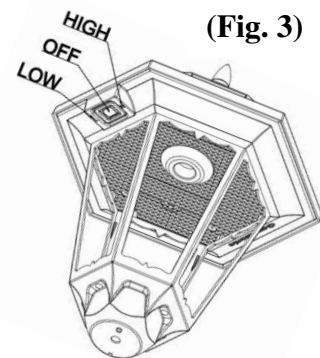


(Fig. 2)

Note: Installing the light on a wall may limit the solar panel for sun exposure. Make sure the lamp is mounted so direct sun exposure is available.

4. Operation Instructions

1. Turn the external operation switch to Low or High position **(Fig. 3)** according your preferences:
 - a. For softer light and longer duration.
 - b. For brighter light output.
2. The solar lamp will automatically operate at dusk.

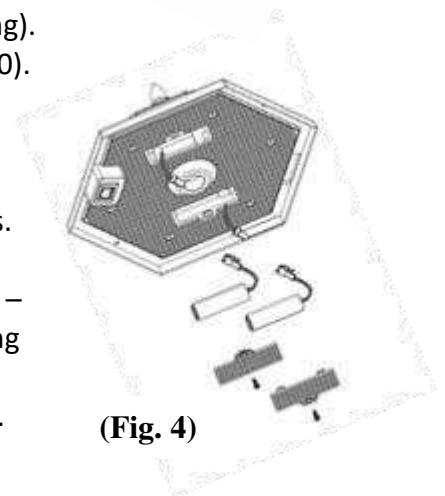


(Fig. 3)

5. Replacing the Batteries

(After several years of use, the batteries may need replacing).

1. Make sure the ON/OFF switch is in the "OFF" position (0).
2. Unscrew the two screws on the upper part to detach it from the lamp **(Fig. 4)**.
3. Unscrew the battery compartment's screws located on the silver reflector and remove the compartment doors.
4. Unclip the battery connectors and remove the old batteries. Make sure the new batteries are high quality – Li-Ion Battery packs (3.2 Volt / 1500 mAh) with matching connector.
5. Install the new batteries into the battery compartment.
6. Reassemble the unit by reversing the above procedure.



(Fig. 4)

Maintenance

Clean the solar panels regularly with a damp towel to guarantee optimum performance. Do not use any type of solvent for cleaning and be careful not to put too much pressure on the solar panels while cleaning.

Trouble Shooting

If your solar charged light does not come on at dusk despite observance of all the instructions, please try the following steps:

1. Make sure that the solar lamp post is not being affected by any other light source.
2. Ensure the solar lamp post is not positioned in the shade during the day.
3. Make sure the switch on the lamp head is in either the Low or High position.
4. Check that the batteries are installed correctly.

NOTE: The performance of the solar lamp post will vary with the time of year. It will deliver more light when it has had a full day in the sun rather than a day in overcast weather.

WINTERTIME TIPS: For optimal performance, be sure to remove any snow or debris accumulation from solar panel(s). A solar panel free of debris will charge the batteries much more efficiently.

WARNING: Please keep out of reach of children. Do not dispose of Li-Ion battery in the regular trash, municipal waste stream or by fire as batteries may leak or explode. Do not open, short circuit, or mutilate batteries as injury may occur. Preserve our environment by recycling Li-Ion batteries or disposing of them in accordance with local, State and federal regulations. Do not mix old and new batteries.

