

GAMA SONIC[®]

SOLAR LIGHTING




Imperial Bulb II Solar Lamp

Part #: 96B50012

US Patent #7172307, 9458970

Version 1.1

 Please read the instruction manual carefully to obtain the best results from your purchase.

Thank you for your purchase! GAMA SONIC® solar charged lights are brighter and last all night with a typical solar charge. Unique design, superior light output and numerous installation options confirm the outstanding value of our product. GAMA SONIC® has been recognized as a worldwide leader in the lighting industry for over 20 years.

Technical Assistance/Warranty Claims/Replacement Parts
Toll Free Number: +1-800-835-4113 (only within the US) or www.gamasonic.com

Visit our website or download the latest version of your instruction manual:
www.gamasonic.com or www.gamasonic.com/user-guides

Gama Sonic's Bulb Technology

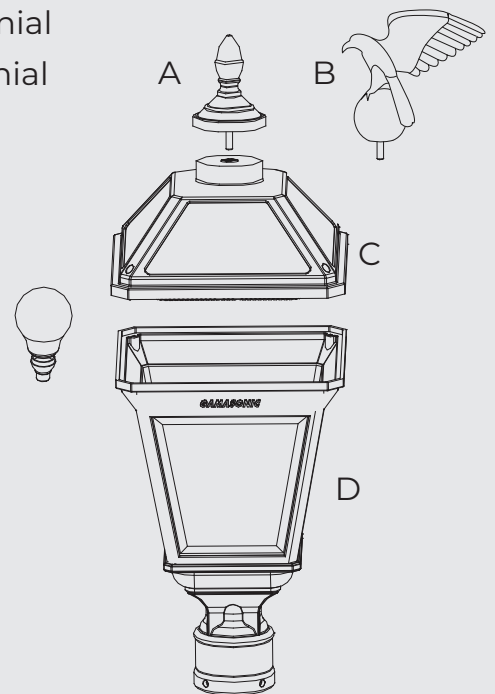
Gama Sonic's patented Bulb technology gives your solar lamp the look and feel of a traditional incandescent lamp. This helps to distribute light further than traditional solar lamps.

Solar Lamp Location

For optimum light duration throughout the night, it is very important to mount your solar lamp in a spot where it will receive the maximum amount of direct sunlight throughout the day.

What's in the Box

- A = Acorn Finial
- B = Eagle Finial
- C = Top
- D = Fixture
- Bulb



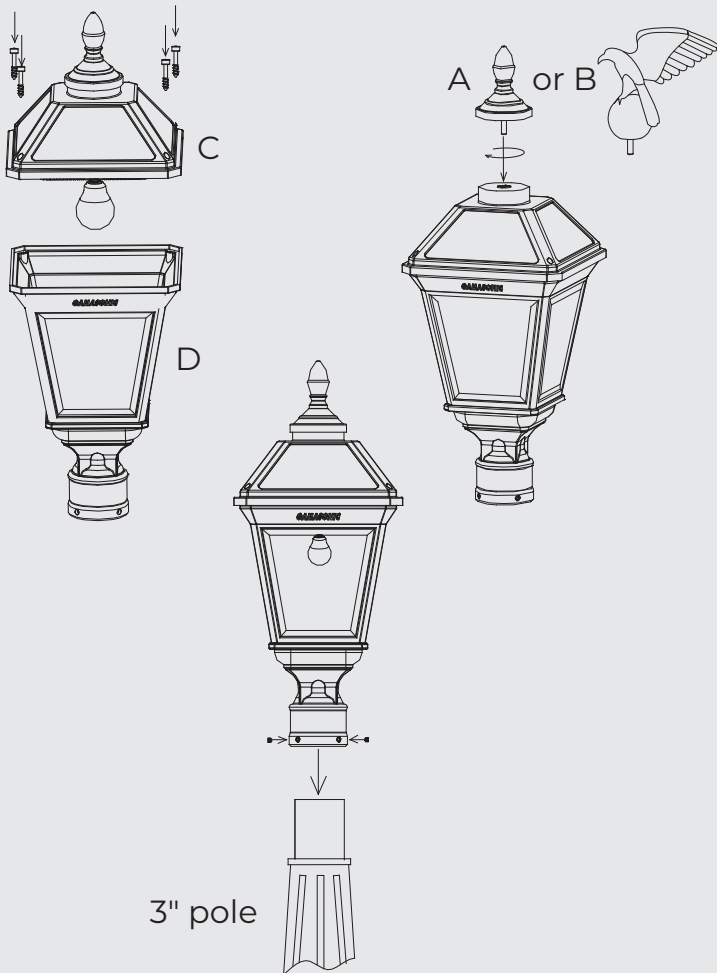
For best results, the solar light must be charged in the "ON" position (High or Low) for at least 2 days of full direct sunlight.

Assembly Instructions

NOTE: If you are replacing an existing gas/ electric post light, you must consult a certified technician to disconnect them before installation.

- Remove the top (C) from the fixture (D) by unscrewing the four screws.
- Install the GS Solar LED Bulb into the top (C) by twisting it clockwise. Be sure to hold the bulb by its base.
- Turn the lamp on using the operation switch located on the underside of the top (C).
- Re-install the top (C) back to the fixture (D) by tightening the four screws.
- Install the desired finial (A or B) to the top (C) by twisting clockwise.
- Place the lamp on your existing 3" pole and secure with the provided set screws.

NOTE: Be sure to not overtighten the screws.



Operation Instructions

1. Install the GS Solar LED Bulb in the top (C).
2. Locate the operation switch on the underside of the top (C).
3. Turn the operation switch to the Low or High position according to your preferences:
 - Low = Softer light and longer duration
 - High = Brighter light output

The solar Lamp will automatically operate at dusk.

Replacement Parts

Replacement Batteries and Bulbs are available at www.gamasonic.com or via our Toll Free number: +1-800-835-4113.

Your Lamp can use the following bulbs:

A60WW20W – included bulb with Warm White LEDs (2700K)

A60BW20W – bulb with Bright White LEDs (6000K)

F30WW05W – Flame bulb with simulated flame LEDs

T45WW10W – Edison LED Bulb with Warm White LEDs (2700k)

Your Lamp uses two of the following battery:

GS32V30

This lamp has the option to use two additional batteries which can help extend duration if the lamp receives more than four hours of direct sunlight.



Replacing the Batteries

GAMA SONIC®
SOLAR LIGHTING

Remove the top (C) from the fixture (D) by removing the four screws.

Make sure the operation switch is in the Off position.

Remove the screw holding the battery compartment door and remove the door.

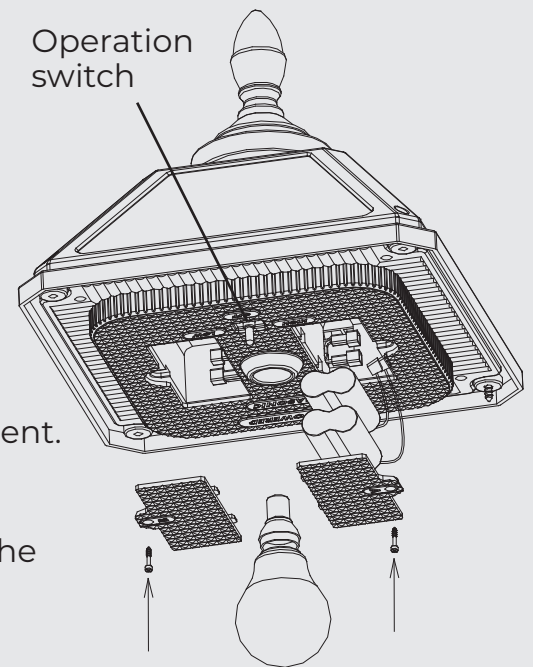
Unclip the battery connectors and remove the batteries. Make sure the new batteries are high quality Li-Ion Batteries with matching connector (part# GS32V30).

Attach the new batteries and install them in the compartment.

Attach the compartment door and secure with the screw.

Turn the lamp back on by moving the operation switch to the High or Low setting.

Secure the top (C) to the fixture using the four screws.



Replacement Batteries and Bulbs are available at
www.gamasonic.com

Maintenance

Clean the solar panels regularly with a damp towel to guarantee optimum performance. Do not use any type of solvent for cleaning and be careful not to put too much pressure on the solar panels while cleaning.

Troubleshooting

If your solar light does not come on as expected despite observance of all the instructions, please try the following steps:

1. Make sure that the solar lamp is not being affected by any other light source.
2. Ensure the solar lamp is not positioned in the shade during the day.
3. Check that the batteries are installed correctly.

NOTE: The performance of the solar lamp will vary with the time of year. It will last longer when it has had a full day in the sun rather than a day in overcast weather.



WINTERTIME TIPS: For optimal performance, be sure to remove any snow or debris accumulation from solar panel(s). A solar panel free of debris will charge the batteries much more efficiently.

WARNING: Please keep out of reach of children. Do not dispose of the Li-Ion battery in the regular trash, municipal waste stream or by fire as batteries may leak or explode. Do not open, short circuit, or mutilate batteries as injury may occur. Preserve our environment by recycling Li-Ion batteries or disposing of them in accordance with local, State and federal regulations. Do not mix old and new batteries.

